

SBL60DC SERIES

SBL60D2-03
 SERVO BLDC MOTOR

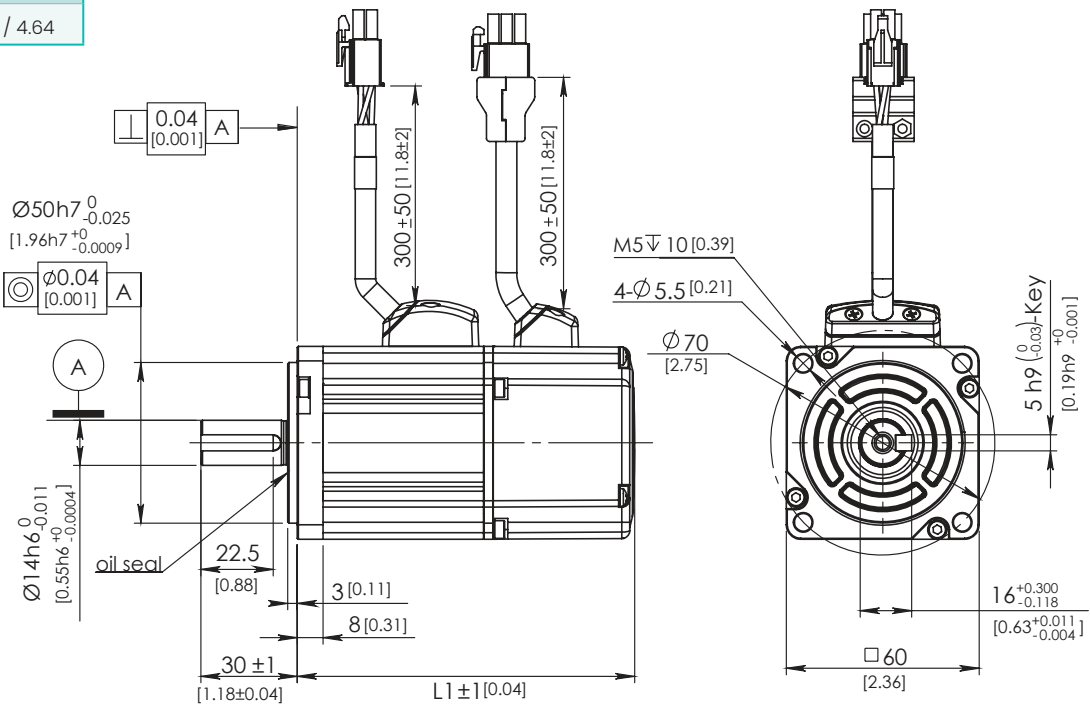


MOTOR SPECIFICATIONS

| | |
|---------------------|-----------------------|
| Frame Size | 60 mm |
| Rated Voltage | 48 VDC |
| Rated Output Power | 400 W |
| Rated Speed | 3,000 RPM |
| Max Speed | 6,000 RPM |
| Rated Torque | 1.27 Nm (179.8 oz-in) |
| Rated Current | 12 A |
| Voltage Constant | 6.3 V rms/ K rpm |
| Max Torque | 3.4 Nm (481.4 oz-in) |
| Resistance | 0.214 Ohm |
| Terminal Inductance | 0.6 mH |
| Torque Constant | 0.103 Nm/A |
| Rotor Inertia | 272 g-cm ² |
| # of Poles | 8 |
| Encoder Type | Incremental |
| Encoder Resolution | 2,500 CPR Incremental |
| IP Rating | IP65 |
| Weight | 1.4 kg (3.08 lbs) |

SPECIFICATIONS (Unit: mm/in)

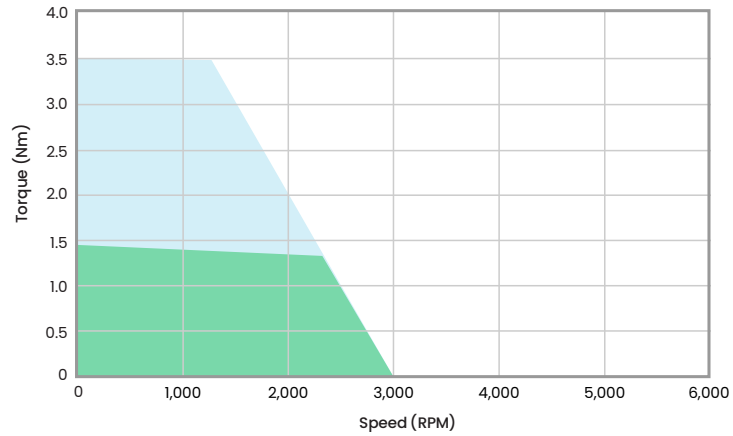
| Without Brake | L1 (mm/in) |
|---------------|------------|
| SBL60D2-03 | 118 / 4.64 |



TORQUE CURVES

SBL60D2-03 (400 Watts)
48 VDC - 12 Amps

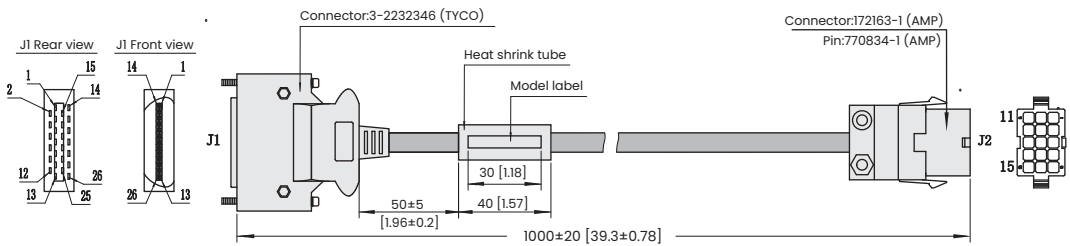
Note: The torque and maximum speed depend on the DC bus voltage. Please choose the proper supply voltage.



Max. Intermittent Torque
Max. Continuous Torque

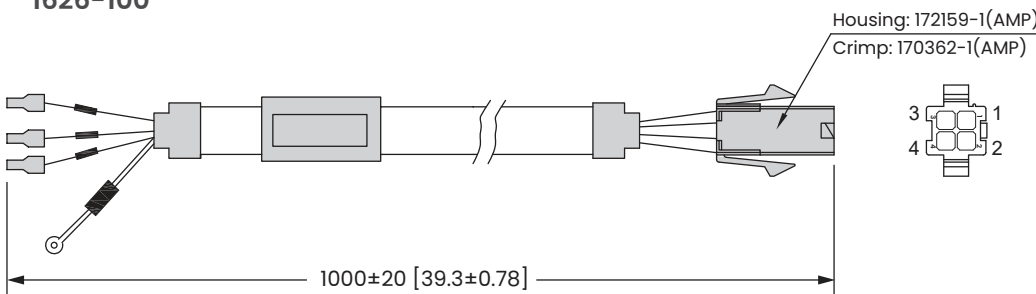
WIRE HARNESS

2624-100



| PINOUT DIAGRAMS | | | |
|-----------------|--------|--------------|--------|
| SIGNAL | J1 CON | COLOR | J2 CON |
| +5V | 11 | Red | 1 |
| GND | 24 | Black | 2 |
| U+ | 4 | Brown | 3 |
| U- | 6 | Brown/Black | 4 |
| V+ | 17 | Grey | 5 |
| V- | 19 | Grey/Black | 6 |
| W+ | 5 | White | 7 |
| W- | 7 | White/Black | 8 |
| A+ | 1 | Blue/Black | 9 |
| A- | 14 | Blue | 10 |
| B+ | 2 | Green | 11 |
| B- | 15 | Green/Black | 12 |
| Z+ | 3 | Yellow | 13 |
| Z- | 16 | Yellow/Black | 14 |
| SHIELD | | | 15 |

1626-100



| Signal | Color | Connect to motor |
|--------|--------------|------------------|
| | | AMP172159-1 |
| U | Red | 1 |
| V | Yellow | 2 |
| W | Blue | 3 |
| PE | Yellow/Green | 4 |

Notes: Wire harness cable extensions (2624-100 and 1626-100) must be purchased separately.

Motion Control, Solved.

MOTOR ENGINEERING & MANUFACTURING



Optimized
For Your
Application



Quick
Prototype
Turnaround



Small Batch
to OEM Volume
Production



US Based
Support &
Manufacturing