

# RPM6200

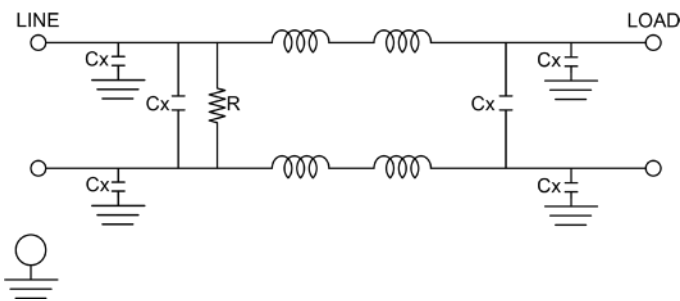
## MIL/COTS **DC** HIGH PERFORMANCE EMI POWER LINE FILTER (NON-GROUNDED RETURNS ONLY)

### FEATURES

- » Rated currents include **5A, 10A, 20A, 30A, 50A and 60A**
- » Dual Stage Line Filter
- » Available with **S** (studs)
- » Agency Approved to RoHS
- » Y-cap value can be adjusted to fit specification



### ELECTRICAL SCHEMATIC



### HOW TO ORDER

RPM6200 - Y - Z

- Z = TERMINAL (-T)
- X = RATED CURRENT
- RP6200 = FILTER SERIES

**NOTE:** USE ANY COMBINATION OF -X (AMPS) WITH ANY -Y RATINGS  
E.G. **RPM6200-10-S** (10AMPS)

For **X** and **Y** options see product specification table.

### SPECIFICATIONS

OPERATING FREQUENCY	DC
MAX. OPERATING VOLTAGE	400VDC +10%
AMBIENT TEMPERATURE	-25 TO 50°C
CLIMATIC CATEGORY	25/100/21
TERMINALS (-T)	STUDS: 5-30A (M5), 50-60A (M6)
TYP. WEIGHT, LBS (KG)	1.0 - 8.5 (0.4 - 3.9)

### HIPOT RATINGS

LINE TO GROUND	1800 VDC
----------------	----------

### TYPICAL APPLICATIONS

- ✓ Mil-461/DO-160 (2 Line Systems with Non-Grounded and Grounded Returns)

### NOTE:

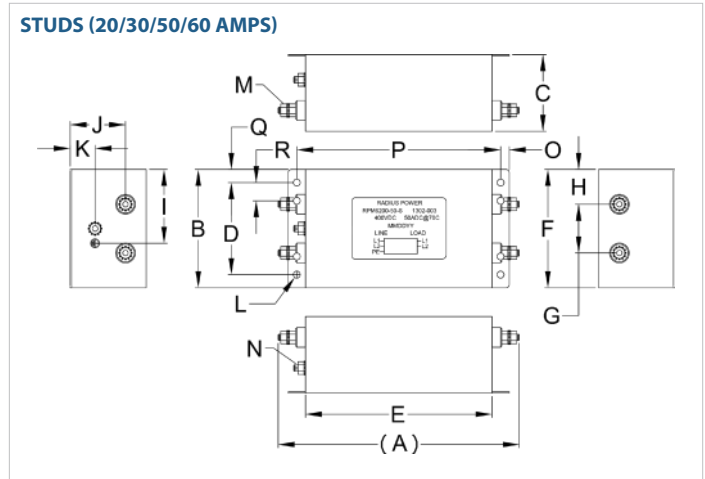
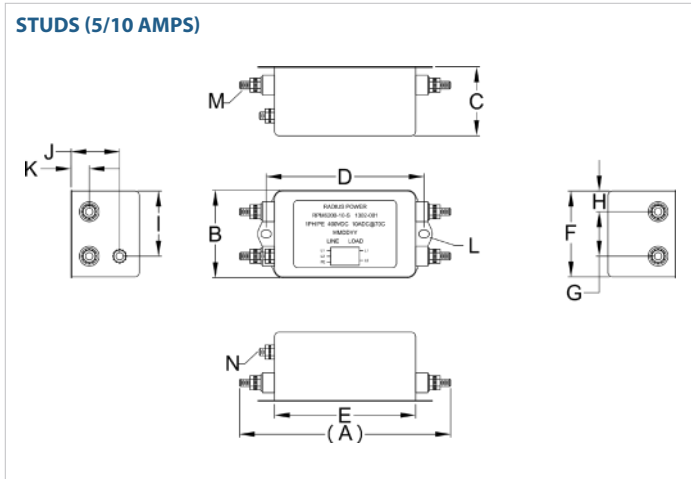
- ✓ Call for other termination types (e.g. Circular Mil-Connectors, etc.)

# RPM6200

## MIL/COTS DC HIGH PERFORMANCE EMI POWER LINE FILTER (NON-GROUNDED RETURNS ONLY)

MODEL NO.	RATED CURRENT, A @ 40° C	TERMINAL OPTIONS			MOUNTING FLANGE	MAX. DIMENSIONS" (MM)		
		(W) INPUT/OUTPUT	(S) INPUT/OUTPUT	(C) INPUT/OUTPUT		WIDTH	(LENGTH)	HEIGHT
RPM6200-5-S	5		✓		✓	2.20"(56)	5.12"(130)	1.81"(46)
RPM6200-10-S	10		✓		✓	2.20"(56)	5.12"(130)	1.81"(46)
RPM6200-20-S	20		✓		✓	3.00"(76)	5.78"(147)	2.50"(64)
RPM6200-30-S	30		✓		✓	3.00"(76)	5.78"(147)	2.50"(64)
RPM6200-50-S	50		✓		✓	4.25"(108)	8.72"(221)	2.75"(70)
RPM6200-60-S	60		✓		✓	4.00"(102)	12.00"(305)	3.25"(83)

### RPM6200 MECHANICAL OUTLINES (MM)



SERIES	(A)	B	C	D	E	F	G	H	I	J	K	L	M	N	O	P	Q	R
<b>STUDS (5/10A)</b>	5.12" (130)	2.20" (56)	1.81" (46)	4.06" (103)	3.70" (94)	2.20" (56)	1.14" (29)	0.47" (12)	N/A	1.26" (32)	0.47" (12)	Ø 0.20"x0.25", 2x (Ø 5.08X6.35, 2x)	STUD, M5, 4x	STUD, GND, M5	N/A	N/A	N/A	N/A
<b>STUDS (20/30A)</b>	5.78" (147)	3.00" (76)	2.50" (64)	2.50" (64)	4.25" (108)	3.00" (76)	1.50" (38)	0.75" (19)	1.98" (50)	1.75" (45)	0.75" (19)	0.25", 4x (Ø6.35, 4x)	STUD, M5, 4x	STUD, GND, M5	0.34" (9)	4.87" (124)	0.25" (6)	N/A
<b>STUDS (50A)</b>	8.72" (221)	4.25" (108)	2.75" (70)	3.31" (84)	6.75" (171)	4.25" (108)	1.75" (45)	1.25" (32)	2.65" (67)	2.00" (51)	0.90" (23)	Ø 0.25", 8x (Ø6.4, 8x)	STUD, M6, 4x	STUD, GND, M6	0.31" (8)	7.38" (187)	0.47" (12)	0.65" (17)
<b>STUDS (60A)</b>	12.00" (305)	4.00" (102)	3.25" (83)	3.00" (76)	10.00" (254)	4.00" (102)	2.00" (51)	1.00" (25)	2.00" (51)	2.25" (57)	1.00" (25)	Ø 0.29"x0.25", 4x (Ø 7.6x6.4, 4x)	STUD, M6, 4x	STUD, GND, M6	0.50" (13)	11.00" (279)	0.50" (13)	N/A

TYPICAL TOLERANCE: +/-0.02" (0.50MM)

# RPM6200

MIL/COTS **DC** HIGH PERFORMANCE EMI POWER LINE FILTER  
(NON-GROUNDED RETURNS ONLY)

## TYPICAL INSERTION LOSS, dB (50/50 Ohm)

Amps	Freq (MHz)	0.15	0.5	1.0	10	30
5	CM (dB)	45	60	60	55	50
	DM (dB)	42	60	60	40	30
10	CM (dB)	45	60	60	55	50
	DM (dB)	42	60	60	40	30
20	CM (dB)	45	60	60	55	50
	DM (dB)	42	60	60	40	30
30	CM (dB)	45	60	60	55	50
	DM (dB)	42	60	60	40	30
50	CM (dB)	45	60	60	55	50
	DM (dB)	42	60	60	40	30
60	CM (dB)	45	60	60	55	50
	DM (dB)	42	60	60	40	30