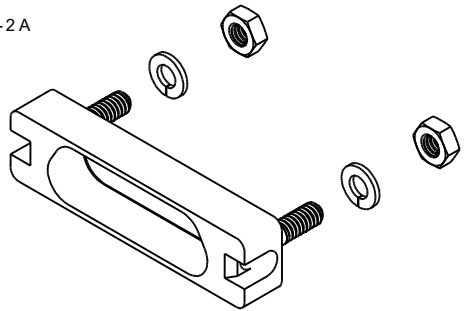
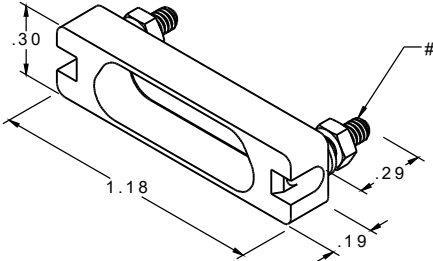
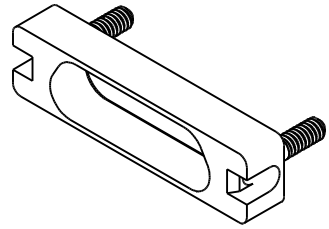


PART NO.	A99018-025	REV	ECO	DATE	APP
		A	97774	07-15-11	TLM



KIT CONSISTS OF:



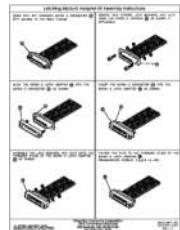
1 EA                      MICRO-D LATCH RECEPTACLE  
(D 6097-025)



2 EA                      LOCKING WASHER  
(D 5377-001)



2 EA                      #2-56 NUT  
(D 5376-001)



1 EA                      INSTRUCTION SHEET  
(D 6476-001)

SLDW

THIRD ANGLE
-TOLERANCES-
UNLESS OTHERWISE NOTED:
DIMENSIONS IN INCHES
2 PL DEC ± .01
3 PL DEC ± .005
4 PL DEC ± .0005
ANGLES ± 1°

THIS DRAWING CONTAINS CONFIDENTIAL AND PROPRIETARY INFORMATION WHICH IS THE PROPERTY OF OMNETICS CONNECTOR CORP. THIS DOCUMENT MAY NOT, IN WHOLE OR IN PART, BE DUPLICATED, OR DISCLOSED FOR ANY PURPOSE, WITHOUT WRITTEN PERMISSION FROM OMNETICS CONNECTOR CORP.	
DFTM. DGJ	DATE 06-22-11
CHK'D.	DATE
APP'D.	DATE

**OMNETICS**  
CONNECTOR CORPORATION

7260 COMMERCE CIRCLE EAST  
MINNEAPOLIS, MN 55432  
WWW.OMNETICS.COM

CAGE CODE 61873
DWG NO. A99018-025
SHEET 1 OF 1
SCALE: 2:1

TITLE:  
(25) LATCHING MICRO-D  
CONVERSION KIT  
HARDWARE

REV  
A