

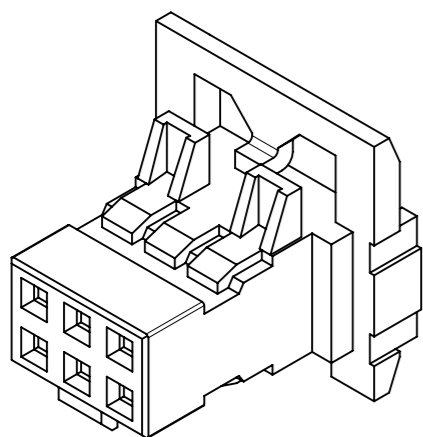
ADDITIONAL DIMENSION FOR 6CKTS HOUSING

NOTES:

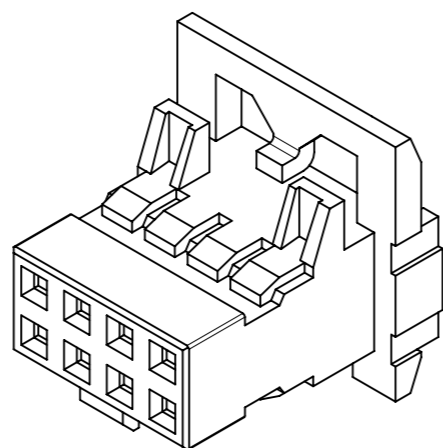
1. MATERIALS: POLYESTER, UL 94V-0, BLACK
2. PRODUCT SPECIFICATION: PS-151014-0001
3. USE FEMALE CRIMP TERMINAL: 503948***
4. APPLICABLE WIRE RANGE: AWG#24-#30
5. PACKAGING: BULK , PK-151014-0001
6. MATES WITH: 151013 SERIES
7. WHEN THIS PRODUCT IS USED AS A BLIND MATING APPLICATION THE SYSTEM LEVEL DESIGN MUST INCORPORATE GUIDANCE SO THE CONNECTORS ARE WITHIN THE CAPTURE ENVELOPE OF THE FLANGES ON THE HEADER OR PLUG HOUSING AND CAN THUS ALIGN THEMSELVES AS THEY COME TOGETHER
8. THIS PART CONFORMS TO CLASS B REQUIREMENTS OF COSMETIC SPEC PS-45499-002
9. USE TOOL NUMBER 638131400 TO REMOVE TERMINAL FROM HOUSING WHEN NECESSARY CAUTION: TERMINALS MUST NOT BE REUSED AFTER REMOVAL.
10. MOLEX LOGO AND CAVITY ID TO BE LOCATED APPROXIMATELY AT SHOWN
11. NON FUNCTIONAL CORING IS SUBJECTED TO CHANGES WITHOUT NOTICE

20	8.00	8.00	20.40	16.40	22.20	23.30	2.60	11.70	2.60	11.10	20.90	1510140020	YES
18	7.00	7.00	18.40	14.40	20.20	21.30	2.60	10.70	2.60	10.10	18.90	1510140018	
16	6.00	6.00	16.40	12.40	18.20	19.30	2.60	9.70	2.60	9.10	16.90	1510140016	
14	5.00	5.00	14.60	10.40	16.20	17.30	2.60	8.70	2.60	8.10	14.90	1510140014	
12	4.00	4.00	12.40	8.40	14.20	15.30	2.60	7.70	2.60	7.10	12.90	1510140012	
10	3.00	3.00	10.40	6.40	12.20	13.30	2.60	6.70	2.60	6.10	10.90	1510140010	
8	2.00	2.00	8.20	4.40	10.20	11.20	2.40	5.60	2.50	5.00	8.80	1510140008	TOOLED
6	2.00	2.00	8.20	2.40	10.20	10.30	2.40	4.80	2.50	5.00	7.00	1510140006	
CKT. NO.	A	B	C	D	E	F	G	H	J	K	L	MATERIAL NO.	

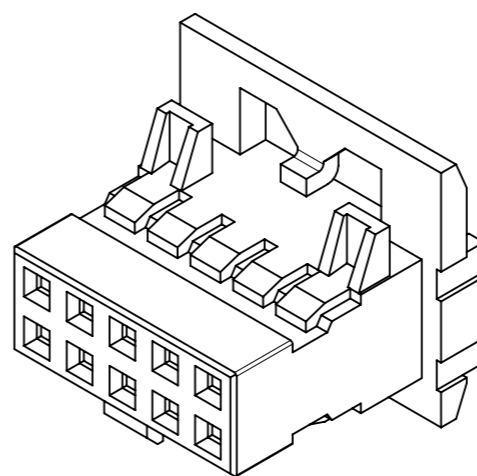
THIS DRAWING CONTAINS INFORMATION THAT IS PROPRIETARY TO MOLEX ELECTRONIC TECHNOLOGIES, LLC AND SHOULD NOT BE USED WITHOUT WRITTEN PERMISSION											
CURRENT REV DESC: CUSTOMER MODEL UPDATE											
DIMENSION UNITS		SCALE									
mm		NTS									
GENERAL TOLERANCES (UNLESS SPECIFIED)											
ANGULAR TOL ± 3.0°											
4 PLACES ±											
3 PLACES ±											
2 PLACES ± 0.2											
1 PLACE ±											
0 PLACES ±											
DRAFT WHERE APPLICABLE MUST REMAIN WITHIN DIMENSIONS											
THIRD ANGLE PROJECTION											
DRAWING											
SERIES											
MATERIAL NUMBER											
CUSTOMER											
SHEET NUMBER											
EC NO: 664701				DRWN: KSUTAR				2021/05/20			
CHK'D: ABABUPS				APPR: MRAMAKRISHNA				2021/05/24			
INITIAL REVISION:				DRWN: GMENARLY				2015/06/15			
APPR: KHLIM				2015/06/29							
PRODUCT CUSTOMER DRAWING											
DOCUMENT NUMBER											
DOC TYPE											
DOC PART											
REVISION											
SD-151014-0001											
PSD 001 A3											
SEE TABLE											
GENERAL MARKET											
1 OF 4											



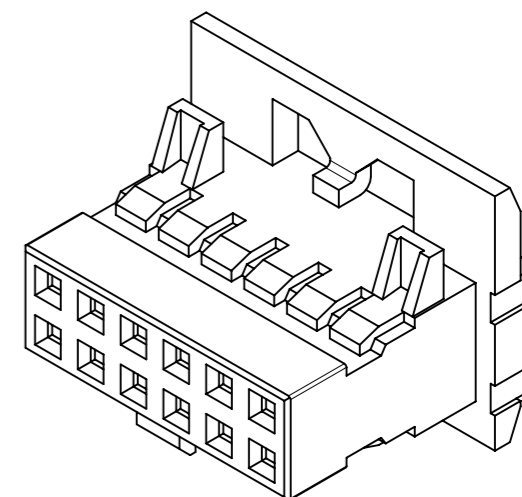
1510140006
6CKTS



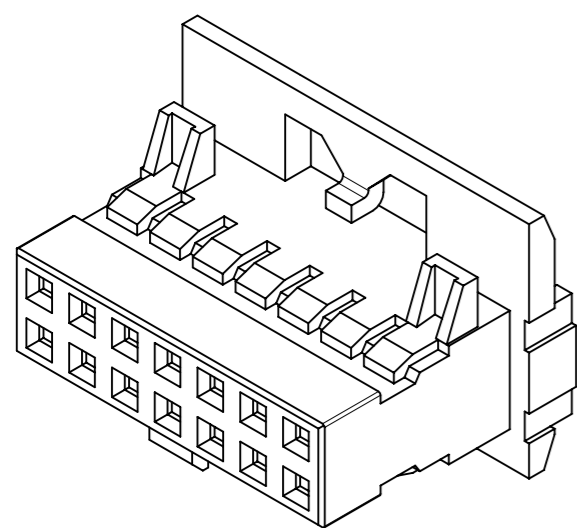
1510140008
8CKTS



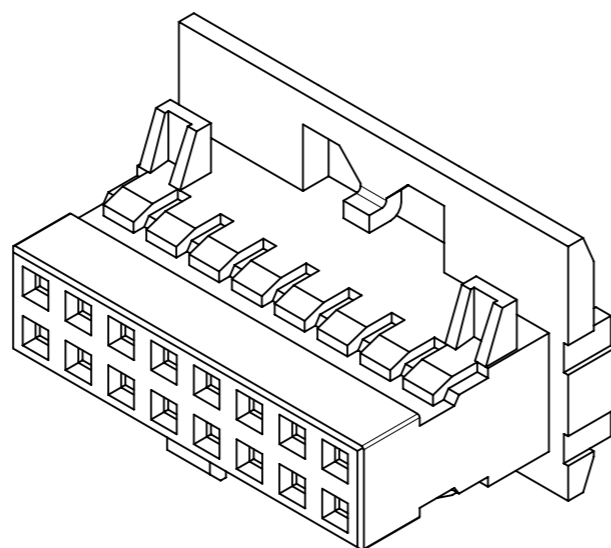
1510140010
10CKTS



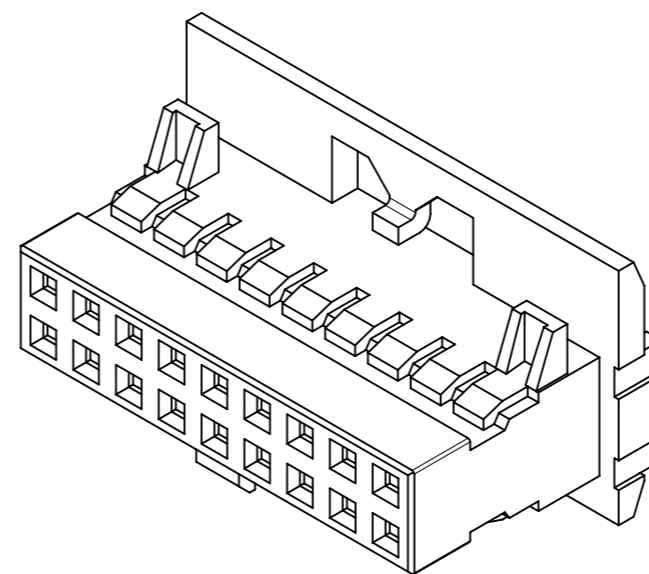
1510140012
12CKTS



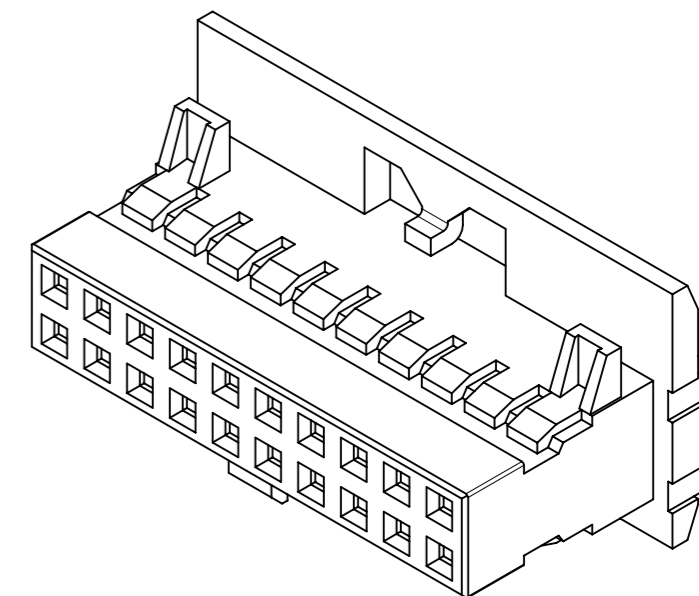
1510140014
14CKTS




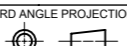
1510140018
16CKTS



1510140018
18CKTS



1510140020
20CKTS

THIS DRAWING CONTAINS INFORMATION THAT IS PROPRIETARY TO MOLEX ELECTRONIC TECHNOLOGIES, LLC AND SHOULD NOT BE USED WITHOUT WRITTEN PERMISSION															
DIMENSION UNITS		SCALE		CURRENT REV DESC: CUSTOMER MODEL UPDATE											
mm		NTS		 2MM PITCH CRIMP RECEPTACLE HOUSING WITH PANEL MOUNT FEATURE PRODUCT CUSTOMER DRAWING											
GENERAL TOLERANCES (UNLESS SPECIFIED)															
ANGULAR TOL ± 3.0 °															
4 PLACES ±		EC NO: 664701								2021/05/20		DOCUMENT NUMBER		DOC TYPE	
3 PLACES ±		DRWN: KSUTAR								2021/05/21		SD-151014-0001		PSD	
2 PLACES ± 0.2		CHK'D: ABABUPS								2021/05/24		001		A3	
1 PLACE ±		APPR: MRAMAKRISHNA		INITIAL REVISION:		MATERIAL NUMBER		CUSTOMER							
0 PLACES ±		DRWN: GMENARLY		2015/06/15		SEE TABLE		GENERAL MARKET							
DRAFT WHERE APPLICABLE MUST REMAIN WITHIN DIMENSIONS		THIRD ANGLE PROJECTION		DRAWING		SERIES		SHEET NUMBER							
				A3-SIZE		151014		2 OF 4							

10

9

8

7

6

5

4

3

2

1

F

F

E

E

D

D

C

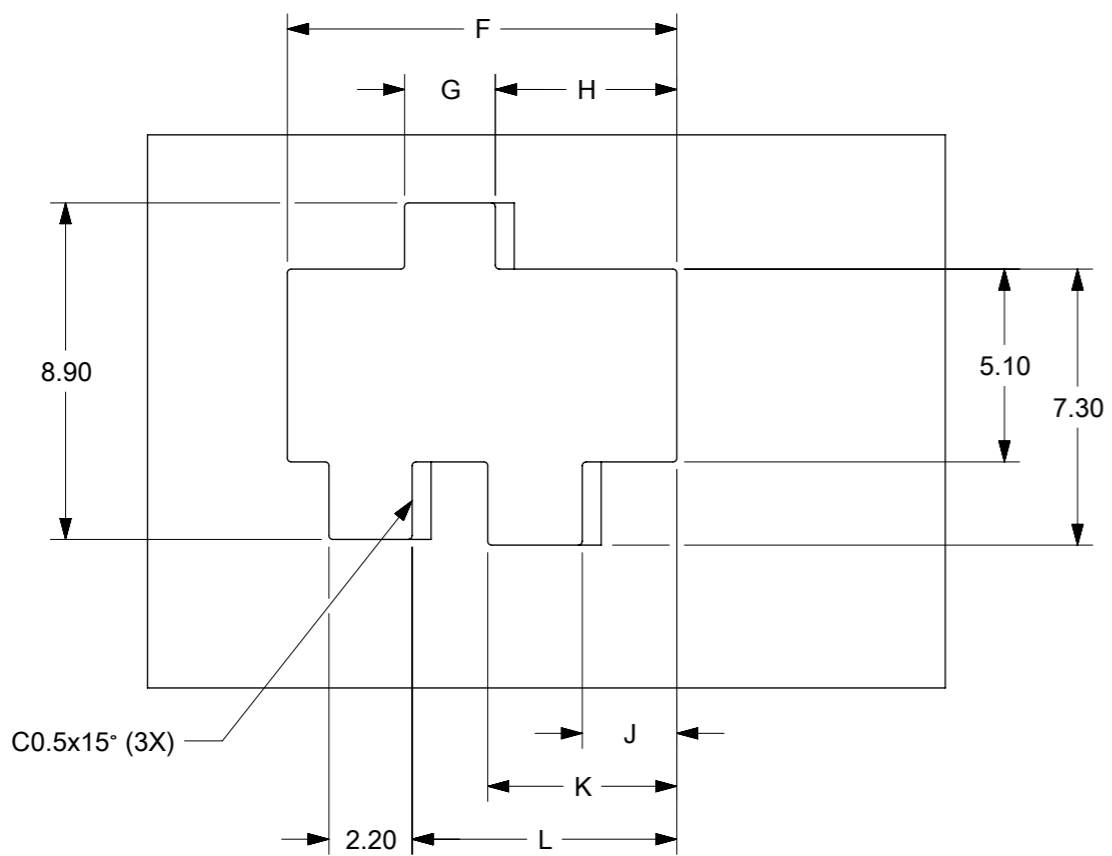
C

B

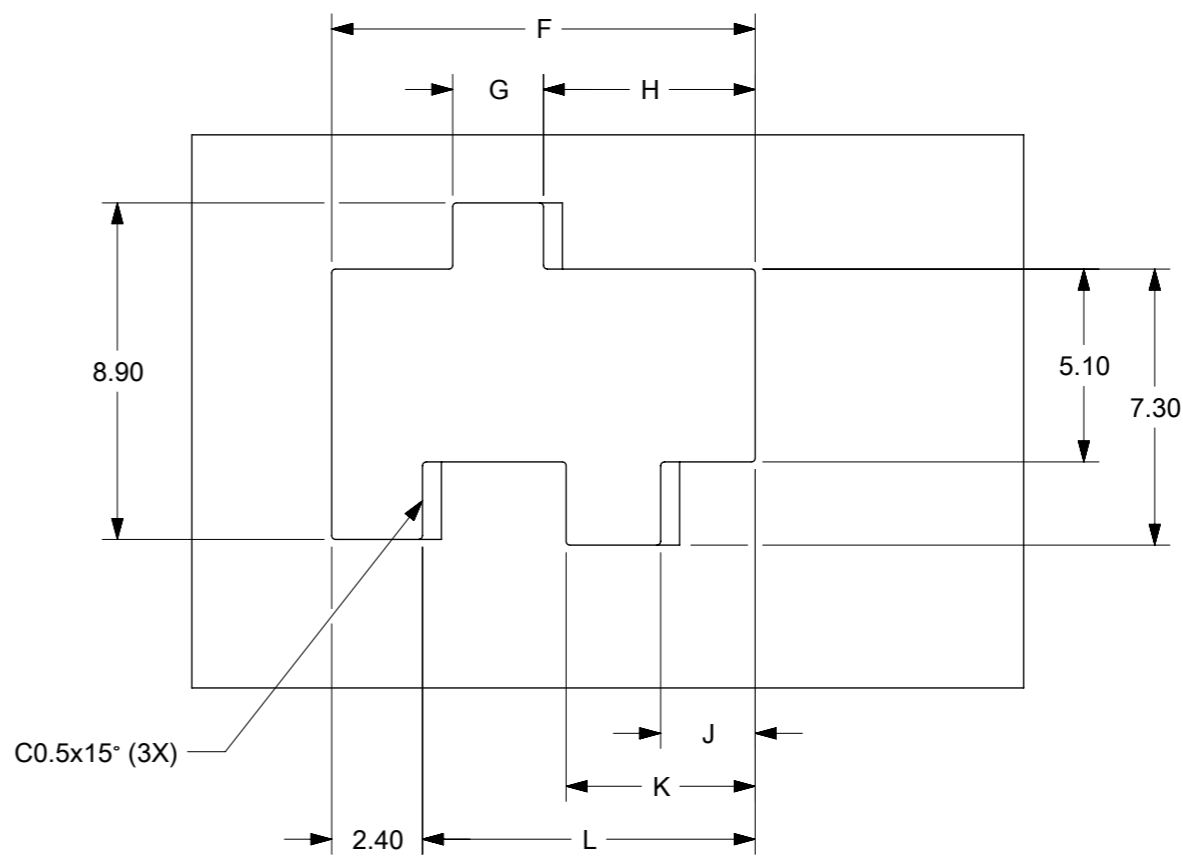
B

A

A



RECOMMENDED PANEL TOLERANCE ± 0.10
 THICKNESS 1.15 ± 0.10
 FOR 6 CIRCUITS



RECOMMENDED PANEL TOLERANCE ± 0.10
 THICKNESS 1.15 ± 0.10
 FOR 8, 10, 12, 14, 16, 18 AND 20 CKTS

THIS DRAWING CONTAINS INFORMATION THAT IS PROPRIETARY TO MOLEX ELECTRONIC TECHNOLOGIES, LLC AND SHOULD NOT BE USED WITHOUT WRITTEN PERMISSION									
DIMENSION UNITS		SCALE		CURRENT REV DESC: CUSTOMER MODEL UPDATE				molex	
mm		NTS							
GENERAL TOLERANCES (UNLESS SPECIFIED)									
ANGULAR TOL $\pm 3.0^\circ$									
4 PLACES		\pm		EC NO: 664701		2021/05/20		2MM PITCH CRIMP RECEPTACLE HOUSING WITH PANEL MOUNT FEATURE	
3 PLACES		\pm		DRWN: KSUTAR		2021/05/21			
2 PLACES		± 0.2		CHK'D: ABABUPS		2021/05/24			
1 PLACE		\pm		APPR: MRAMAKRISHNA		2021/05/24		PRODUCT CUSTOMER DRAWING	
0 PLACES		\pm		INITIAL REVISION:				DOCUMENT NUMBER	
DRAFT WHERE APPLICABLE MUST REMAIN WITHIN DIMENSIONS		THIRD ANGLE PROJECTION		DRAWING		SERIES		MATERIAL NUMBER	
		A3-SIZE		151014		2015/06/15 2015/06/29		SD-151014-0001	
				CUSTOMER		GENERAL MARKET		DOC TYPE DOC PART REVISION	
								PSD 001 A3	
								SHEET NUMBER	
								3 OF 4	

DOCUMENT STATUS	P1	RELEASE DATE	2021/05/24	05:23:24
-----------------	----	--------------	------------	----------

9

8

7

6

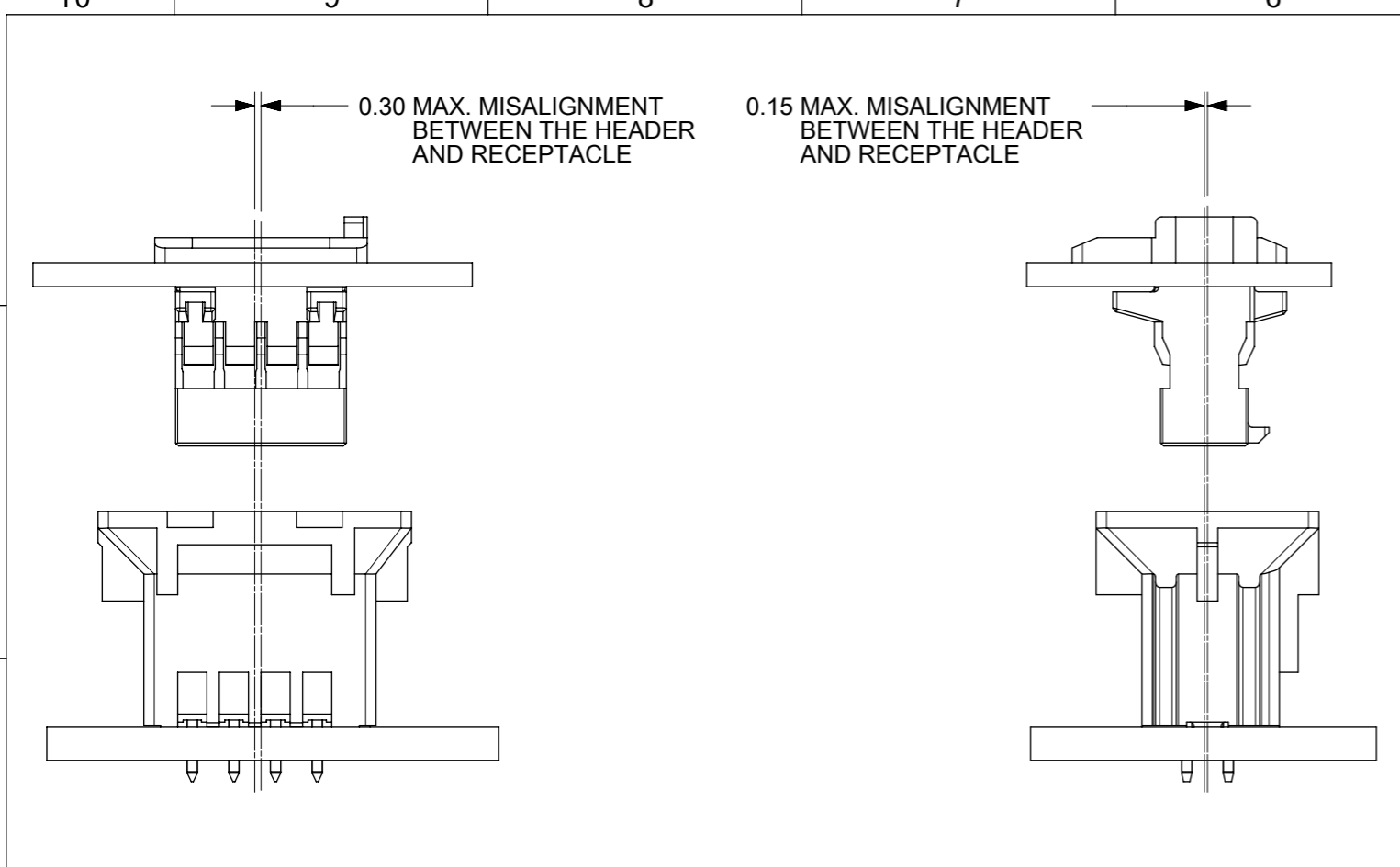
5

4

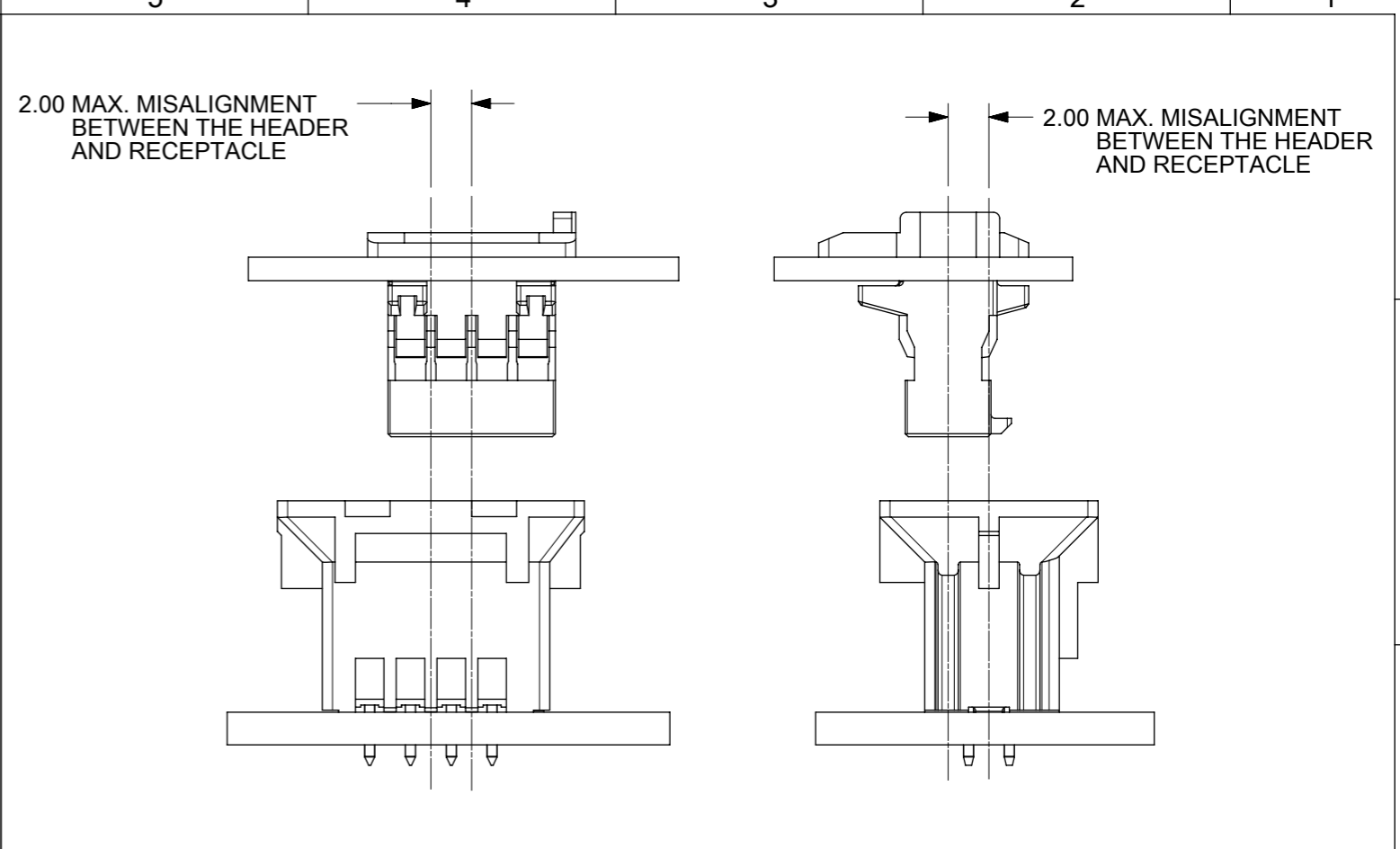
3

2

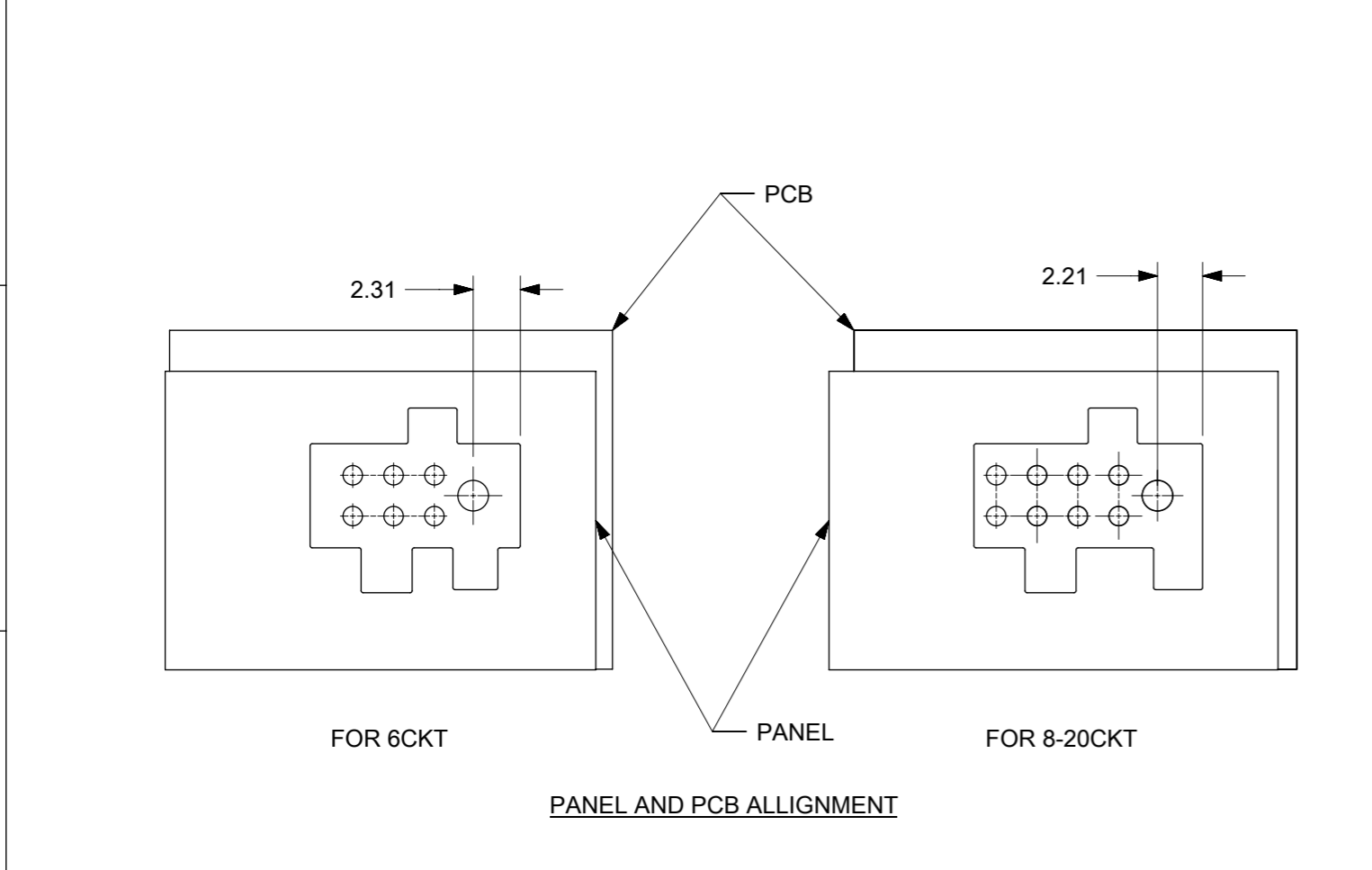
1



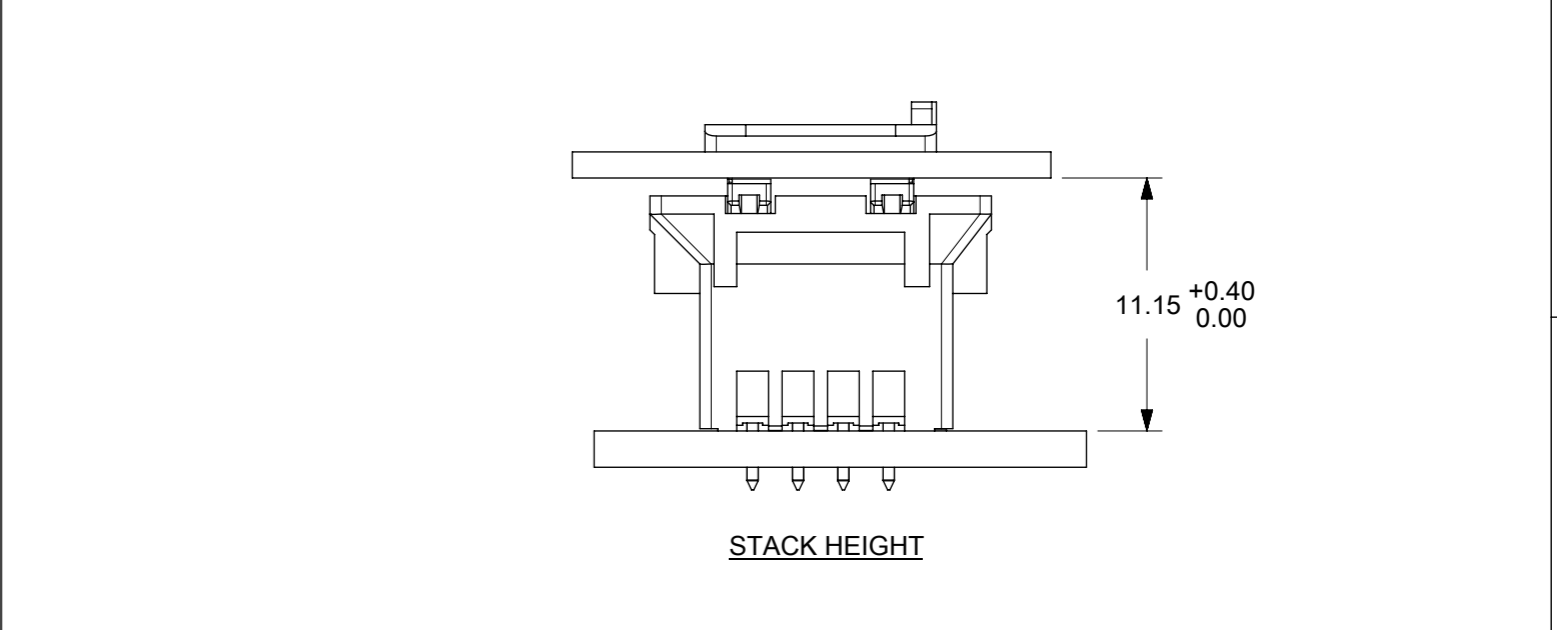
OPTION 1: PANEL IN FIXED CONDITION



OPTION 2: PANEL IN FLOATING CONDITION



PANEL AND PCB ALIGNMENT



STACK HEIGHT

THIS DRAWING CONTAINS INFORMATION THAT IS PROPRIETARY TO MOLEX ELECTRONIC TECHNOLOGIES, LLC AND SHOULD NOT BE USED WITHOUT WRITTEN PERMISSION									
DIMENSION UNITS		SCALE		CURRENT REV DESC: CUSTOMER MODEL UPDATE					
mm		NTS		2MM PITCH CRIMP RECEPTACLE HOUSING WITH PANEL MOUNT FEATURE					
GENERAL TOLERANCES (UNLESS SPECIFIED)									
ANGULAR TOL ± 3.0°				PRODUCT CUSTOMER DRAWING					
4 PLACES ±		3 PLACES ±		EC NO: 664701		2021/05/20		DOCUMENT NUMBER	
3 PLACES ±		2 PLACES ±		DRWN: KSUTAR		2021/05/21		SD-151014-0001	
2 PLACES ±		1 PLACE ±		CHK'D: ABABUPS		2021/05/24		DOC TYPE	
1 PLACE ±		0 PLACES ±		APPR: MRAMAKRISHNA		2021/05/24		DOC PART	
DRAFT WHERE APPLICABLE MUST REMAIN WITHIN DIMENSIONS		THIRD ANGLE PROJECTION		INITIAL REVISION:		2015/06/15		REVISION	
				DRWN: GMENARLY		2015/06/29		A3	
				APPR: KHLIM					
				DRAWING		SERIES		MATERIAL NUMBER	
				A3-SIZE		151014		CUSTOMER	
				SEE TABLE		GENERAL MARKET		SHEET NUMBER	
				4 OF 4					