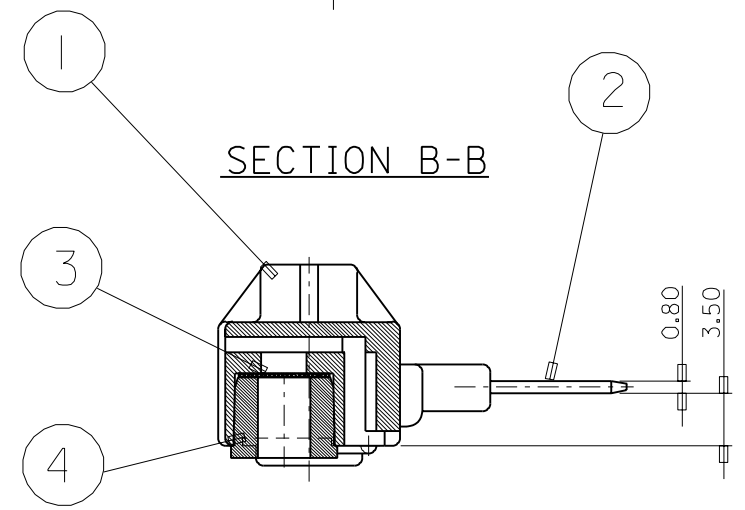
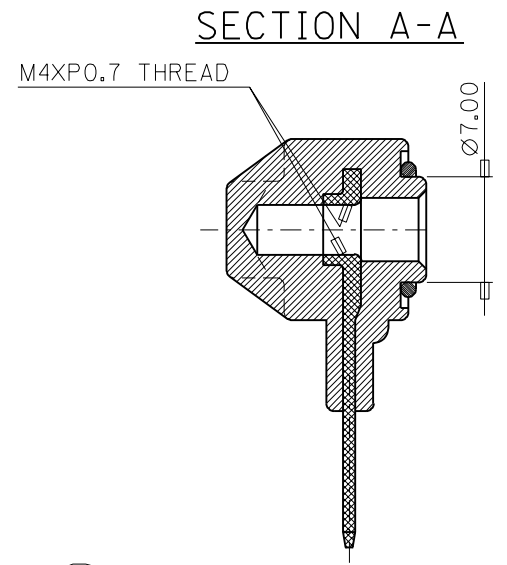
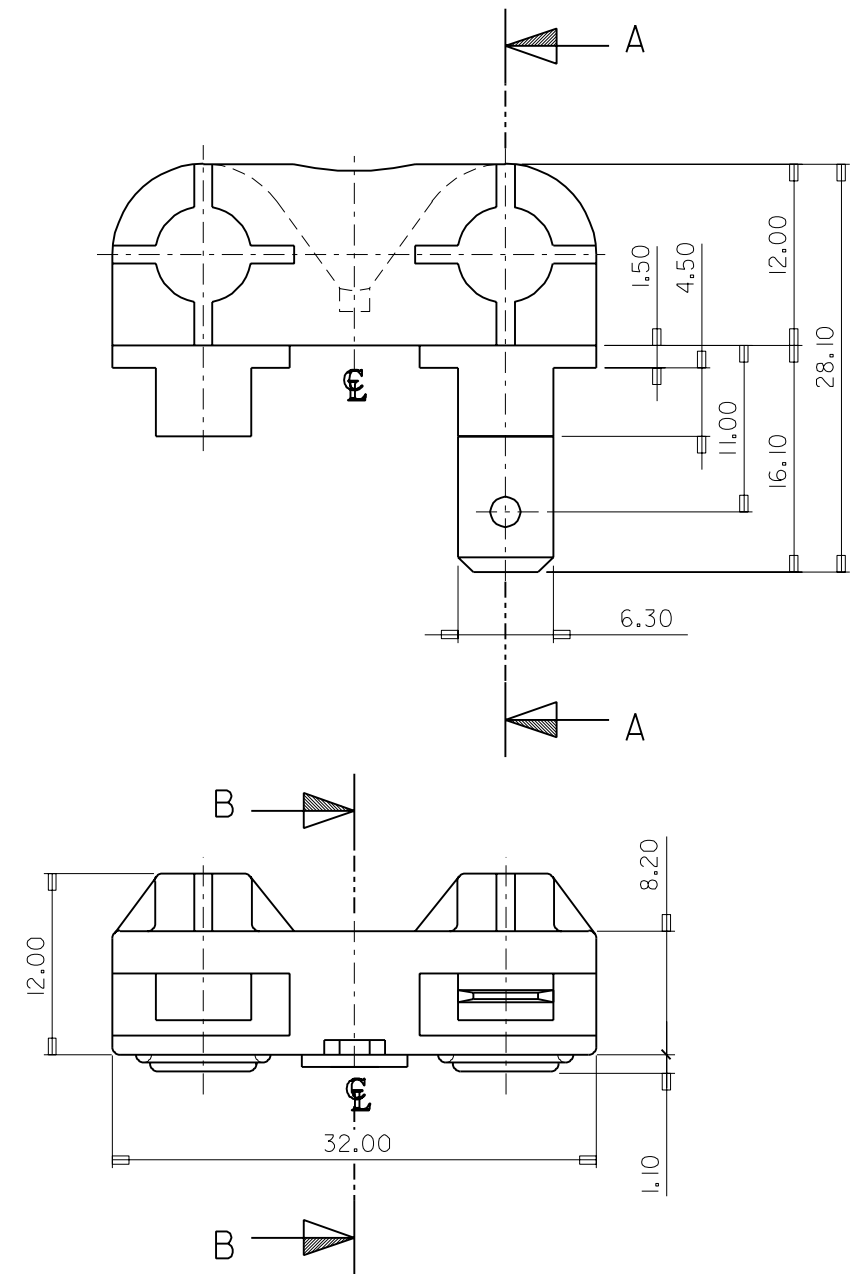
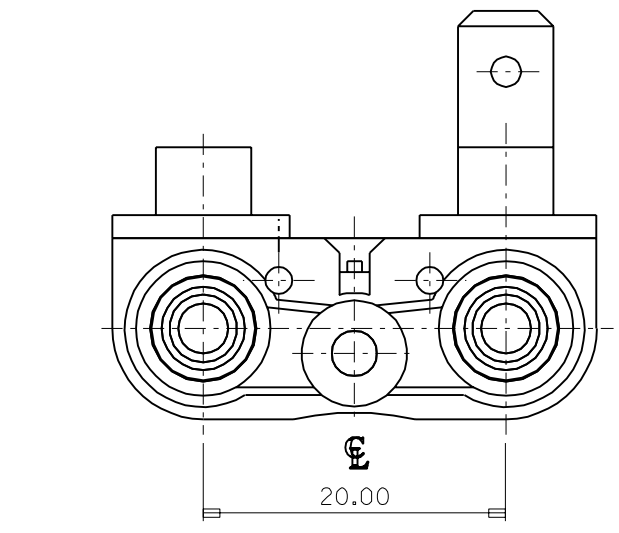


DWG. NO. SD-35967-002
 PROJECT NO.
 SIMILAR ITEM
 DO NOT SCALE DRAWING DIMENSION IN METRIC



NOTE
 1. PRODUCT SPECIFICATION: 68131-0291
 2. MATERIAL & FINISH: SEE TABLE



NO.	P/NAME	P/NO.	Q'TY	MATERIAL	FINISH
1	HEADER 2P	—	1	30% GLASS FILLED POLYESTER	BLACK
2	PIN	MH151-100-01B4	1	BRASS	NONE PLATING
3	GASKET	35940-0023	1	PAPER(FIBER ALLOY)	WHITE
4	BOTTOM SEAL	35903-0107	1	OIL SILICONE	BLACK

NO.	359670111	35967-0111
MATERIAL NO.		ENG. NO.

RELEASE TO MANUFACTURING
 EC NO. KOR 2003-0147
 DRWN: H.C.RHO 021210
 CH'K: H.C.RHO 021210
 APPR: C.W.LEE

DESCRIPTION
 B
 REV

QUALITY SYMBOLS
 MAJOR =
 CRITICAL =
 GENERAL TOLERANCES: (UNLESS SPECIFIED)

	mm	INCH
4 PLACES	±0.	±.
3 PLACES	±0.	±.
2 PLACES	±0.20	±.
1 PLACE	±0.30	±.

 ANGULAR: ± 1 °
 DRAFT WHERE APPLICABLE MUST REMAIN WITHIN DIMENSIONS

SCALE 2:1
 DESIGN UNITS mm INCH
 THIRD ANGLE PROJECTION
 DRAWN BY & DATE '99.10.15 H.C.RHO
 CHECKED BY & DATE '99.10.15 B.K.CHOI
 APPROVED BY & DATE '99.10.15 C.W.LEE
 CAD FILENAME 250FH002
 THIS DRAWING CONTAINS INFORMATION THAT IS PROPRIETARY TO MOLEX INCORPORATED AND SHOULD NOT BE USED WITHOUT WRITTEN PERMISSION.

DIMENSIONS: mm INCH mm ONLY
 SHT REV
 REVISIONS
 TITLE: .250 FILTER HORN HEADER ASS'Y IP(Ø00)
 MOLEX INCORPORATED KOREA
 MATERIAL NO. SEE TABLE
 DRAWING NO. SD-35967-002
 SHEET NO. 1 OF 1
 SIZE B