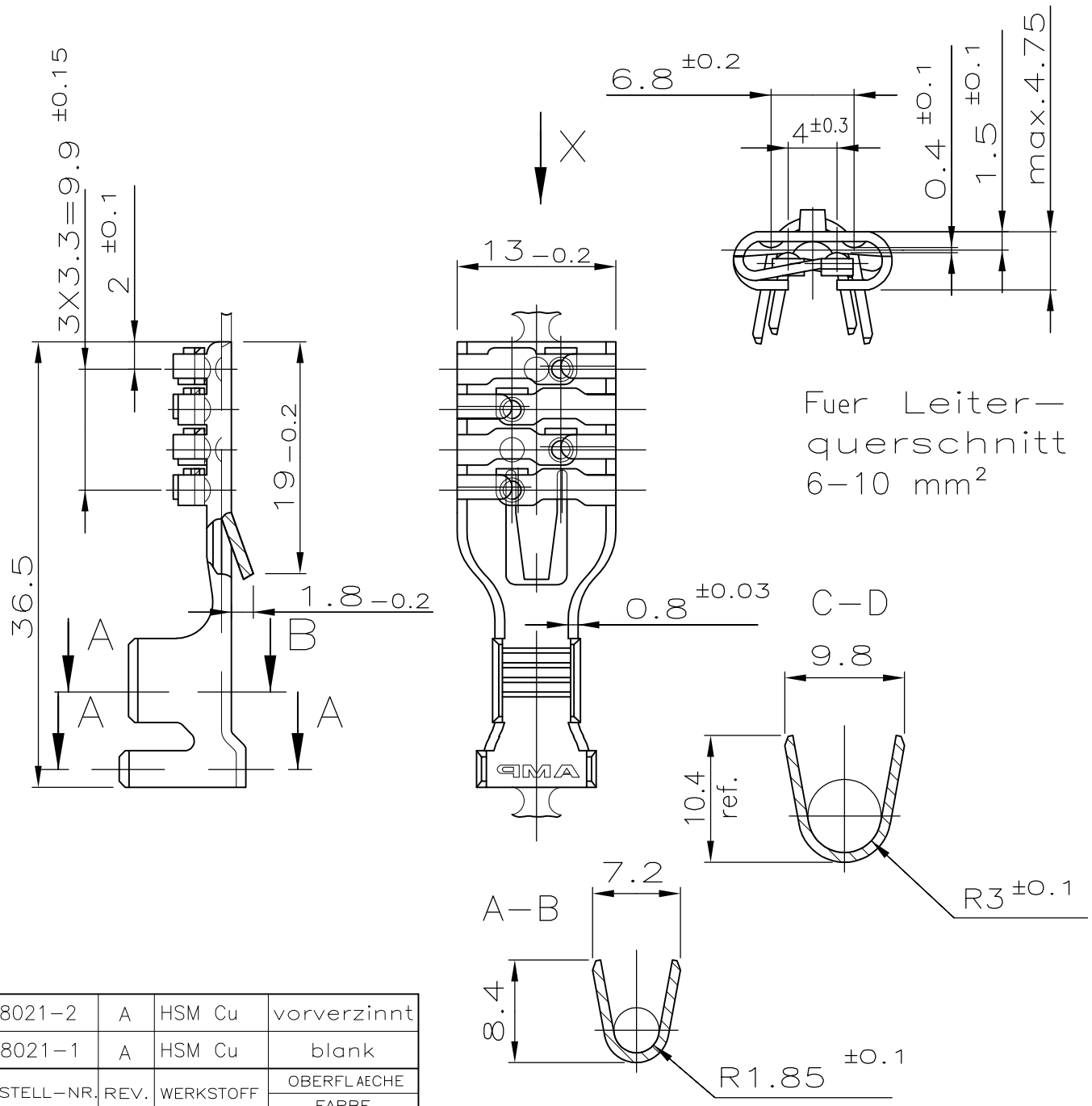


LOC	DIST	REVISIONS			DATE	DWN	APVD
A1	—	P	LTR	DESCRIPTION	03JUN2011	PKS	RRP
		A2		DIMENSION UPDATED			

Ansicht "X"
VIEW "X"



RELEASED FOR PUBLICATION

ALL RIGHTS RESERVED.

THIS DRAWING IS UNPUBLISHED.

© COPYRIGHT - By -

968021-2	A	HSM Cu	vorverzinkt
968021-1	A	HSM Cu	blank
BESTELL-NR.	REV.	WERKSTOFF	OBERFLAECHE FARBE

DIMENSIONS:
mm

DWN	B. Buxbaum	19DEC1994
CHK	A. Machill	19DEC1994
APVD	—	—
PRODUCT SPEC	—	—
APPLICATION SPEC	—	—
WEIGHT	—	—

MATERIAL	HSM Cu	FINISH	—
----------	--------	--------	---



TE Connectivity

TOLERANCES UNLESS OTHERWISE SPECIFIED:

0 PLC	± -
1 PLC	± -
2 PLC	± 0.2 mm
3 PLC	± -
4 PLC	± -
ANGLES	± 1.5

NAME				RESTRICTED TO
COMBI-CONTACT FUER FLACHSTECKER 6.3-9.5				
SIZE	CAGE CODE	DRAWING NO		
A4	00779	C-968021		—

CUSTOMER DRAWING	1.5	SCALE	2:1	SHEET	1 OF 1	REV	A2
------------------	-----	-------	-----	-------	--------	-----	----