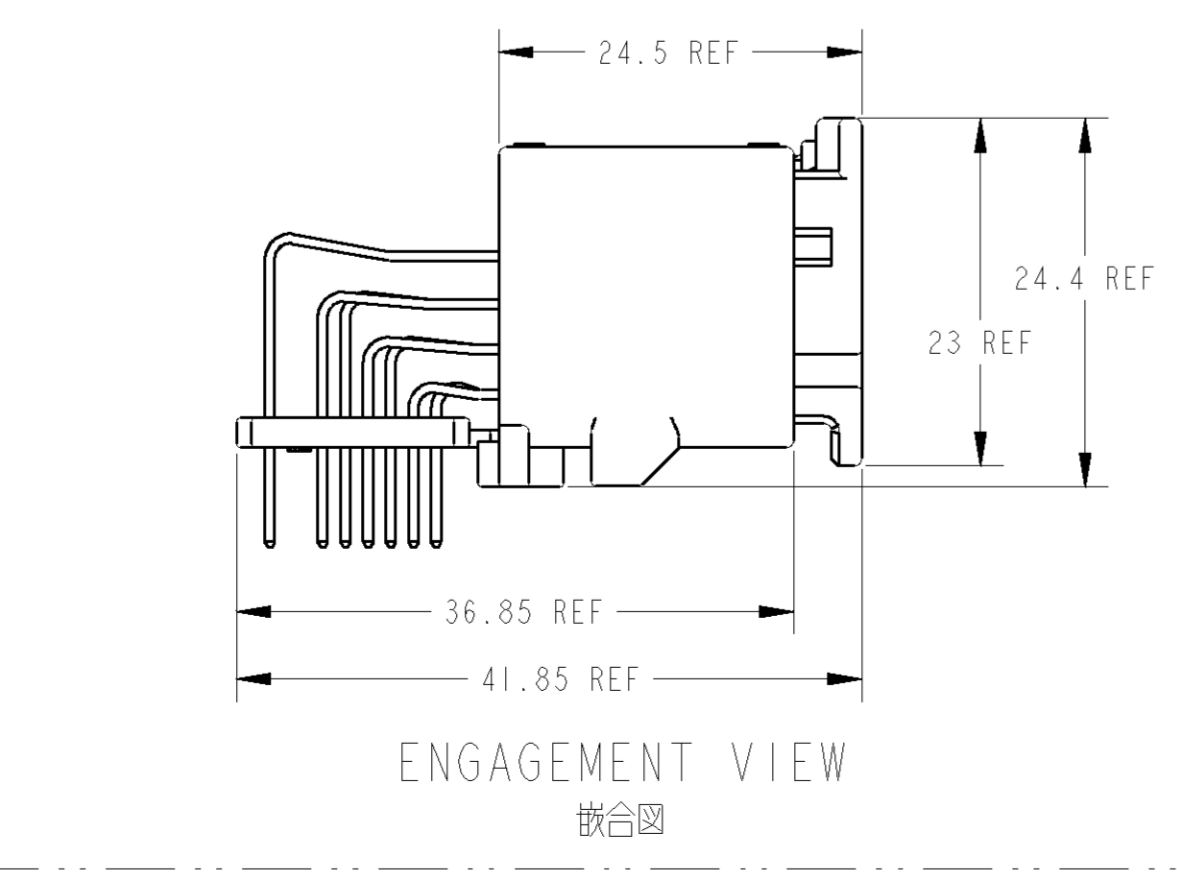
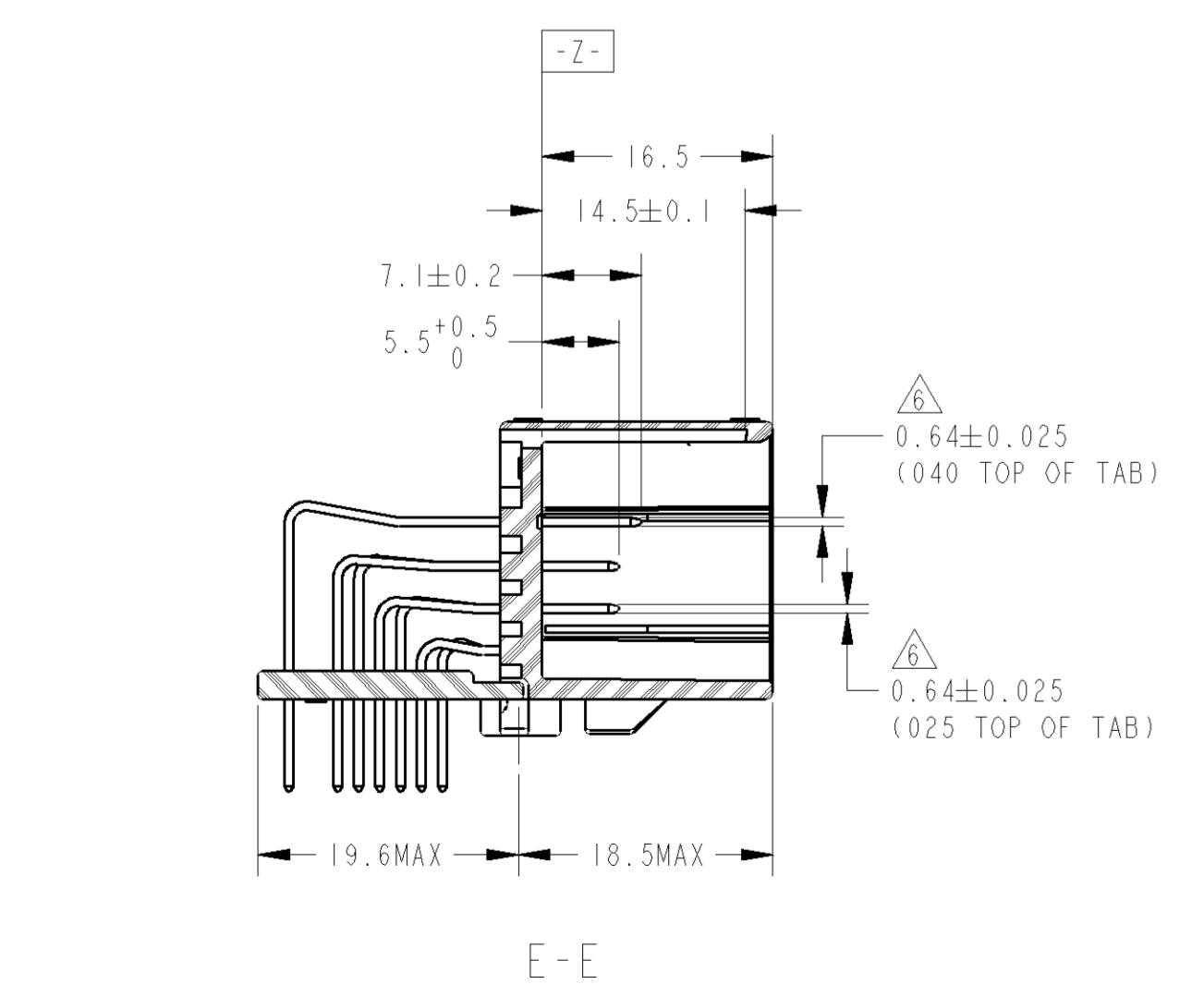
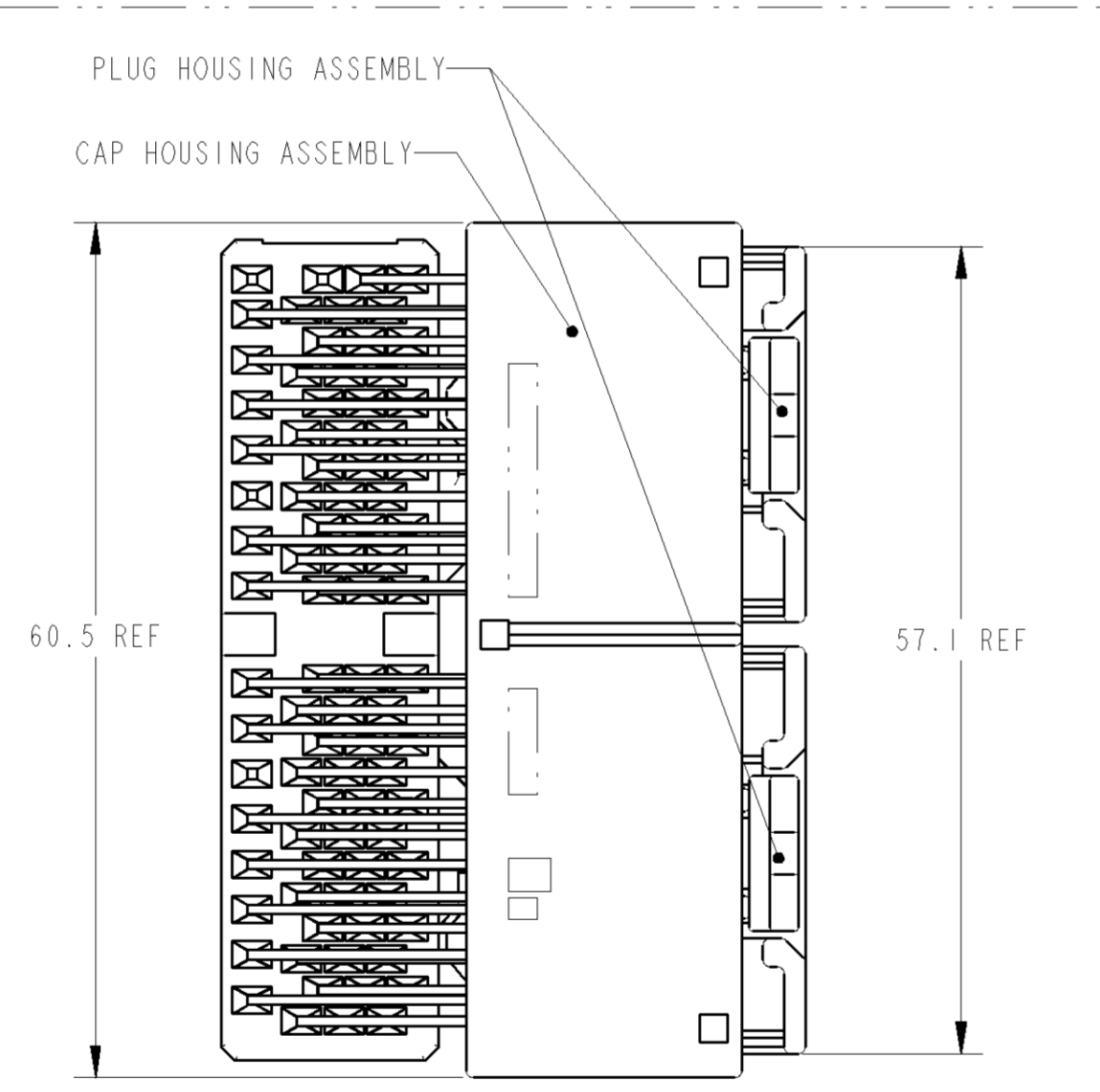
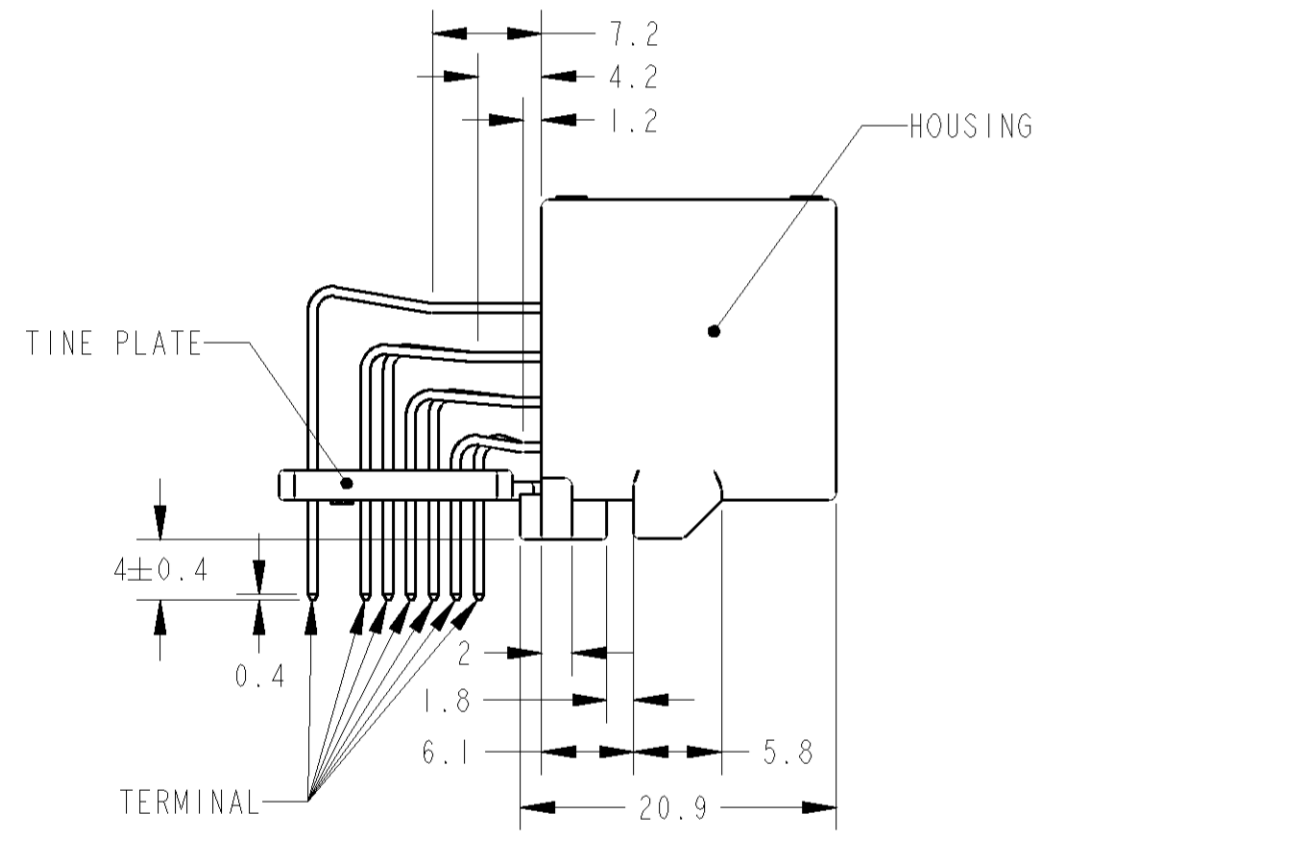
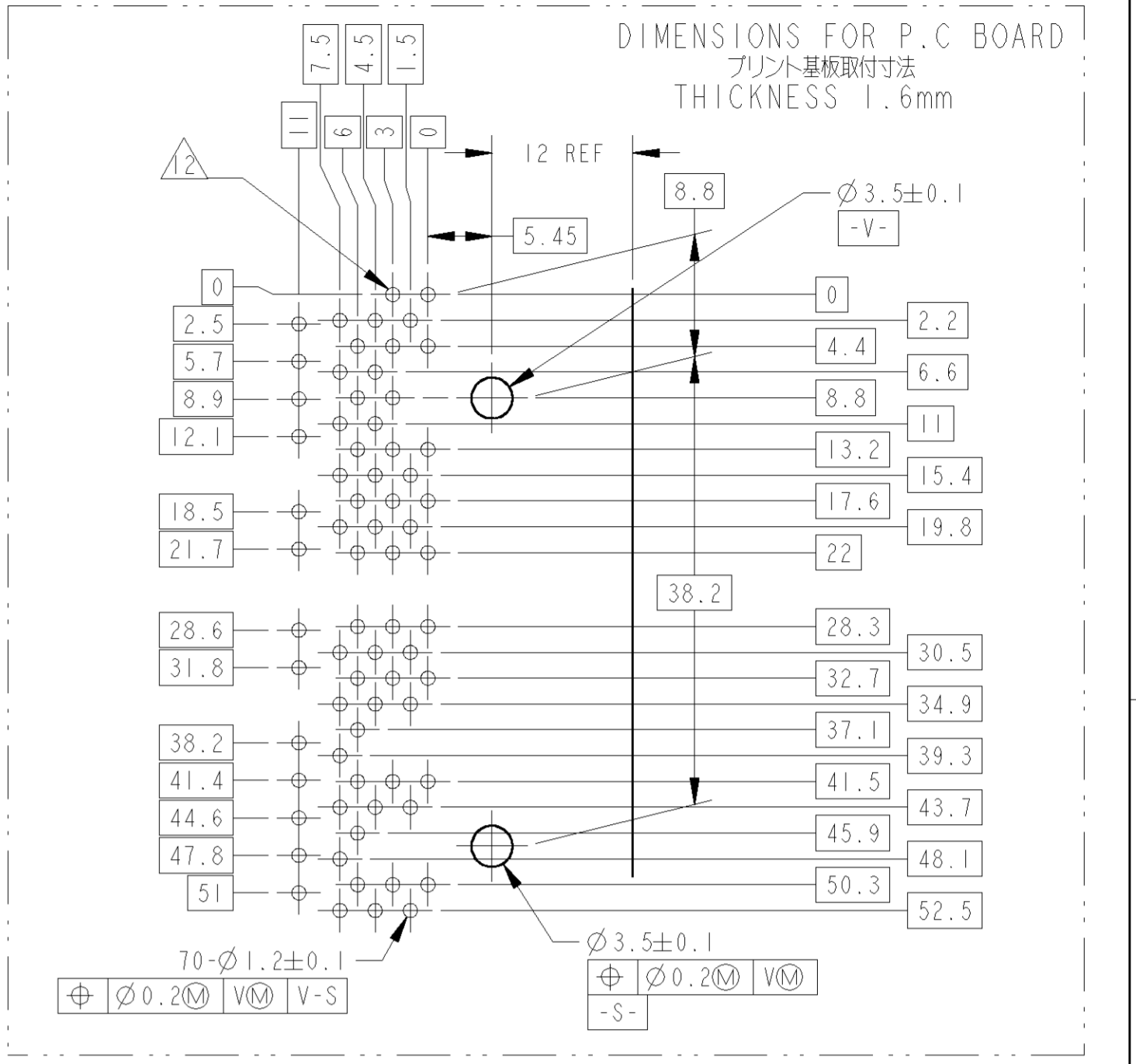
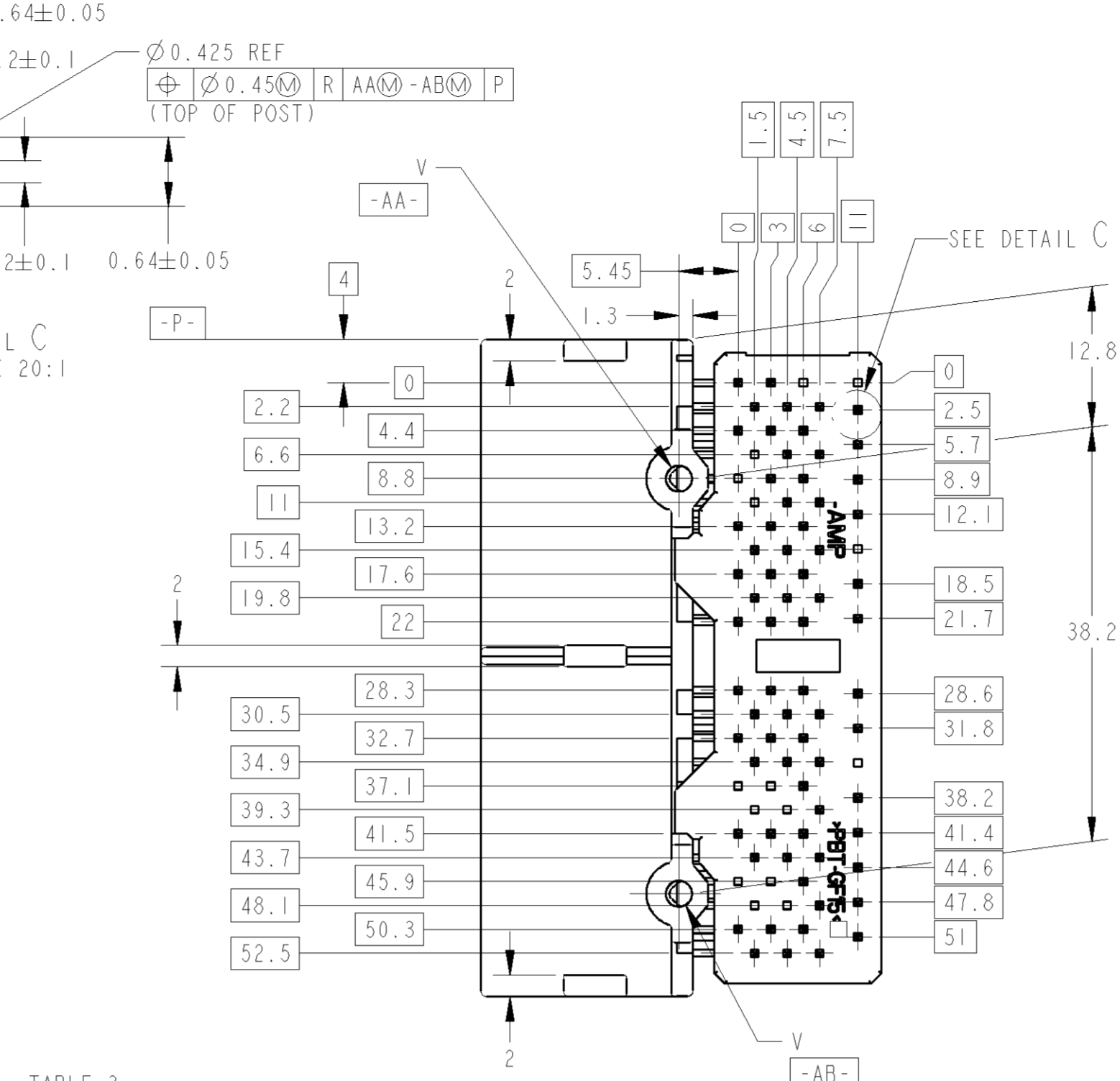
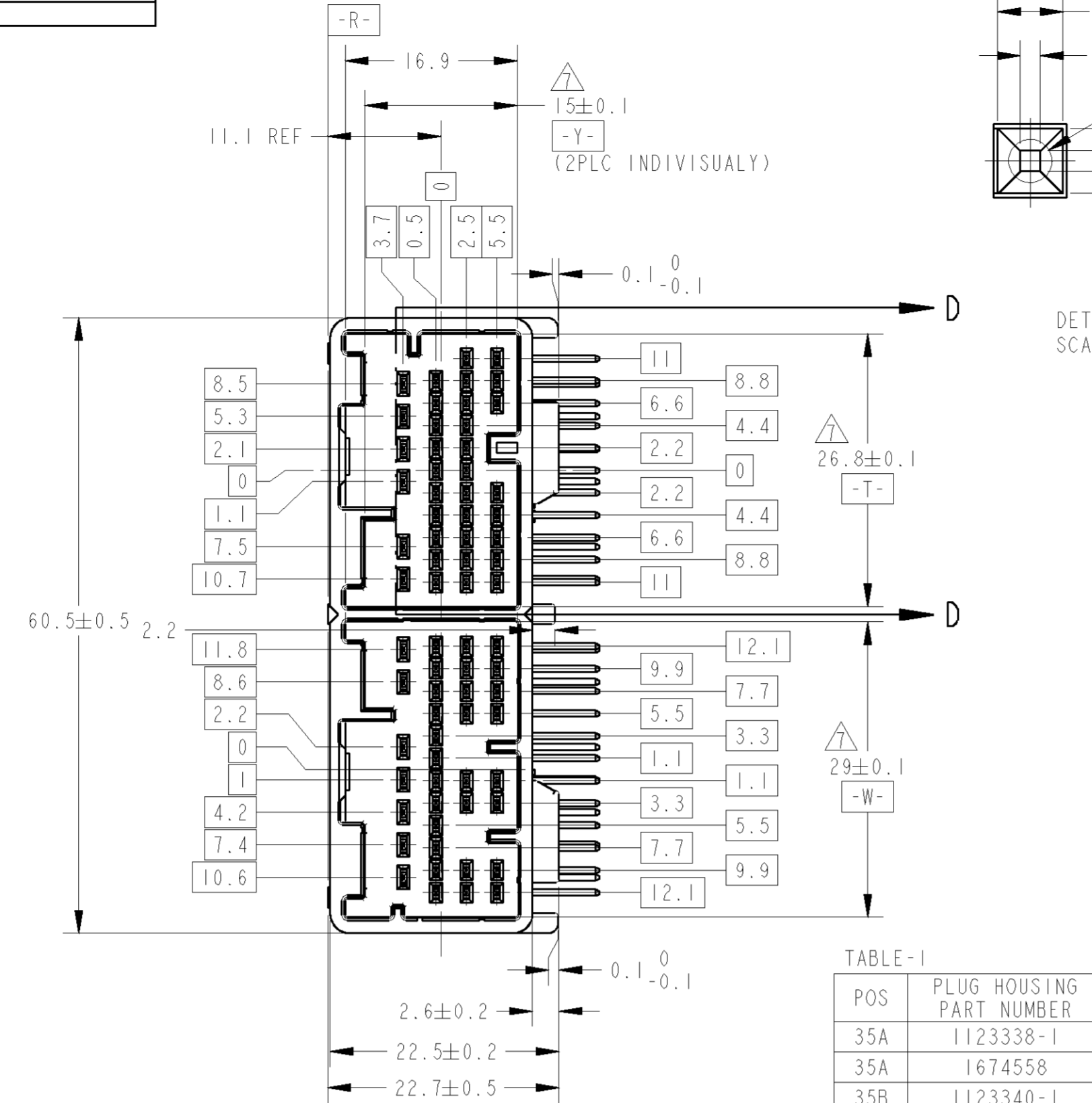
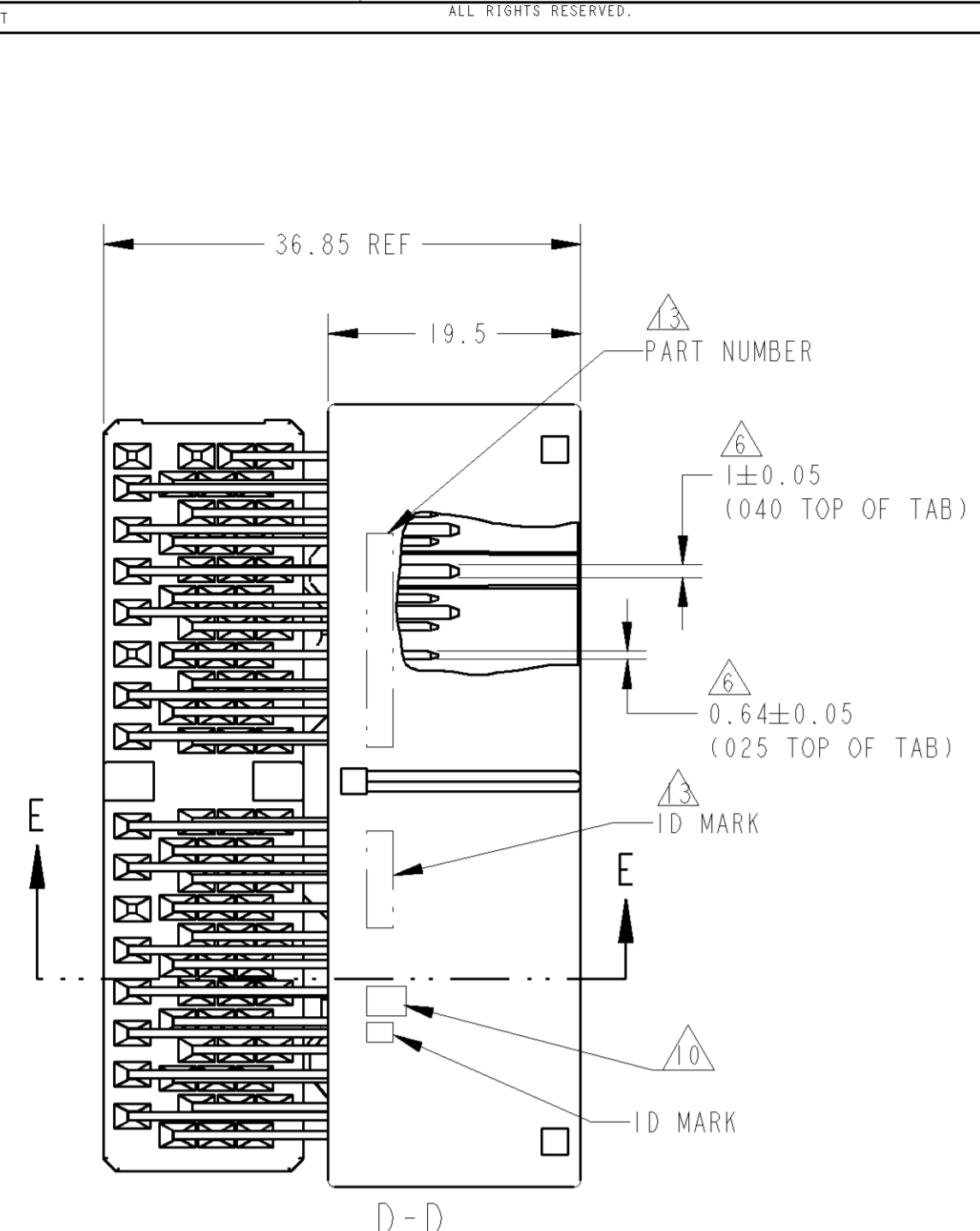


THIS DRAWING IS UNPUBLISHED. RELEASED FOR PUBLICATION. ALL RIGHTS RESERVED.

REV. NO.	DATE	REVISIONS	
		DESCRIPTION	BY
D3	06JUL10	ADDED 1--0	TS
D4	12AUG10	REVISED	AY
D5	27JAN2012	ADDED 1--3	TS



1. 嵌合相手ハウジング番番: TABLE-1参照
2. 回路番号: FIG.1参照
3. パワー回路: 組み数等13箇所 FIG.1参照
4. 取付寸法: JIS B1115, B1122タッピング栓に、なべ型、呼び径3.
5. ねじ規格: 0.392N·m REF(参考値)
6. ねじ規格: 0.392N·m REF(参考値)
7. ねじ規格: 0.392N·m REF(参考値)
8. ねじ規格: 0.392N·m REF(参考値)
9. ねじ規格: 0.392N·m REF(参考値)
10. ねじ規格: 0.392N·m REF(参考値)
11. ねじ規格: 0.392N·m REF(参考値)
12. ねじ規格: 0.392N·m REF(参考値)
13. ねじ規格: 0.392N·m REF(参考値)
14. ねじ規格: 0.392N·m REF(参考値)
15. ねじ規格: 0.392N·m REF(参考値)
16. ねじ規格: 0.392N·m REF(参考値)
17. ねじ規格: 0.392N·m REF(参考値)
18. ねじ規格: 0.392N·m REF(参考値)
19. ねじ規格: 0.392N·m REF(参考値)
20. ねじ規格: 0.392N·m REF(参考値)
21. ねじ規格: 0.392N·m REF(参考値)
22. ねじ規格: 0.392N·m REF(参考値)
23. ねじ規格: 0.392N·m REF(参考値)
24. ねじ規格: 0.392N·m REF(参考値)
25. ねじ規格: 0.392N·m REF(参考値)
26. ねじ規格: 0.392N·m REF(参考値)
27. ねじ規格: 0.392N·m REF(参考値)
28. ねじ規格: 0.392N·m REF(参考値)
29. ねじ規格: 0.392N·m REF(参考値)
30. ねじ規格: 0.392N·m REF(参考値)
31. ねじ規格: 0.392N·m REF(参考値)
32. ねじ規格: 0.392N·m REF(参考値)
33. ねじ規格: 0.392N·m REF(参考値)
34. ねじ規格: 0.392N·m REF(参考値)
35. ねじ規格: 0.392N·m REF(参考値)
36. ねじ規格: 0.392N·m REF(参考値)
37. ねじ規格: 0.392N·m REF(参考値)
38. ねじ規格: 0.392N·m REF(参考値)
39. ねじ規格: 0.392N·m REF(参考値)
40. ねじ規格: 0.392N·m REF(参考値)
41. ねじ規格: 0.392N·m REF(参考値)
42. ねじ規格: 0.392N·m REF(参考値)
43. ねじ規格: 0.392N·m REF(参考値)
44. ねじ規格: 0.392N·m REF(参考値)
45. ねじ規格: 0.392N·m REF(参考値)
46. ねじ規格: 0.392N·m REF(参考値)
47. ねじ規格: 0.392N·m REF(参考値)
48. ねじ規格: 0.392N·m REF(参考値)
49. ねじ規格: 0.392N·m REF(参考値)
50. ねじ規格: 0.392N·m REF(参考値)
51. ねじ規格: 0.392N·m REF(参考値)

CIRCUIT No.	PLUG HOUSING	PAPER BOX	PLASTIC BOX	PLASTIC TUBE	SOLDERING SIDE	CONTACT FINISH	GOLD PLATED CIRCUIT NO		COLOR	HOUSING MATERIAL	PART NUMBER
							040 TAB	025 TAB			
22.9	Ø2.4	61	PAPER BOX	PLASTIC TUBE	SELECTIVE-TIN (MATTE)	SELECTIVE GOLD X 35	-	NATURAL	NATURAL	PBT	1-1473193-3
20.9	Ø2.63	8	PLASTIC BOX	PLASTIC TUBE	SELECTIVE-TIN (MATTE)	SELECTIVE GOLD X 11	-	BLACK	BLACK	SPS	1-1473193-0
OBSOLETE	Ø2.4	7	PLASTIC BOX	PLASTIC TUBE	SELECTIVE-TIN (MATTE)	SELECTIVE-TIN X 54	-	NATURAL	NATURAL	PBT	1473193-9
22.9	Ø2.4	61	PLASTIC BOX	PLASTIC TUBE	SELECTIVE-TIN (MATTE)	SELECTIVE GOLD X 35	-	NATURAL	NATURAL	PBT	6473193-1
22.9	Ø2.4	61	PAPER BOX	PLASTIC TUBE	SELECTIVE-TIN (MATTE)	SELECTIVE GOLD	-	NATURAL	NATURAL	PBT	1473193-8
20.9	Ø2.63	8	PAPER BOX	PLASTIC TUBE	SELECTIVE-TIN (MATTE)	SELECTIVE-TIN X 70	-	BLACK	NATURAL	SPS	1473193-7
20.9	Ø2.63	8	PLASTIC BOX	PLASTIC TUBE	SELECTIVE-TIN (MATTE)	SELECTIVE-TIN X 70	-	BLACK	NATURAL	SPS	1473193-6
20.9	Ø2.63	4	PAPER BOX	PLASTIC TUBE	SELECTIVE-TIN (MATTE)	SELECTIVE GOLD X 35	-	BLACK	NATURAL	SPS	1473193-5
20.9	Ø2.63	4	PLASTIC BOX	PLASTIC TUBE	SELECTIVE-TIN (MATTE)	SELECTIVE GOLD X 35	-	BLACK	NATURAL	SPS	1473193-4
22.0	Ø2.4	3	PLASTIC BOX	PLASTIC TUBE	SELECTIVE-TIN (MATTE)	SELECTIVE-TIN X 54	-	NATURAL	NATURAL	PBT	1473193-3
OBSOLETE	Ø2.4	2	PAPER BOX	PLASTIC TUBE	SELECTIVE-TIN (MATTE)	PRE-TIN	-	NATURAL	NATURAL	PBT	1473193-2
OBSOLETE	Ø2.4	1	PLASTIC BOX	PLASTIC TUBE	TIN-LEAD	SELECTIVE GOLD X 35	-	NATURAL	NATURAL	PBT	1473193-1

THIS DRAWING IS A CONTROLLED DOCUMENT.

DATE: 25JAN01

DRAWN BY: S. AMEMIYA

CHEK BY: N. SAI

APPROVED BY: N. SAI

PRODUCT SPEC: 108-5674

APPLICATION SPEC: 114-5217, 5250

WEIGHT: SEE TABLE

CUSTOMER DRAWING

TE TE Connectivity

025/040 SERIES CONNECTOR

70 POSITION CAP HOUSING ASSEMBLY

SIZE: 2.1

SHEET: 1 OF 1

REV: D5