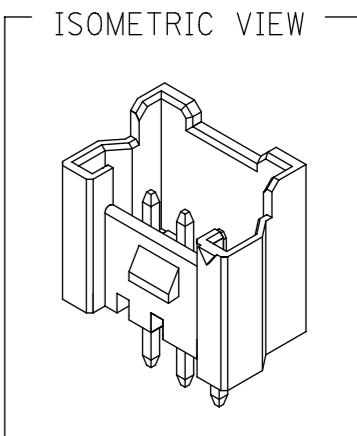
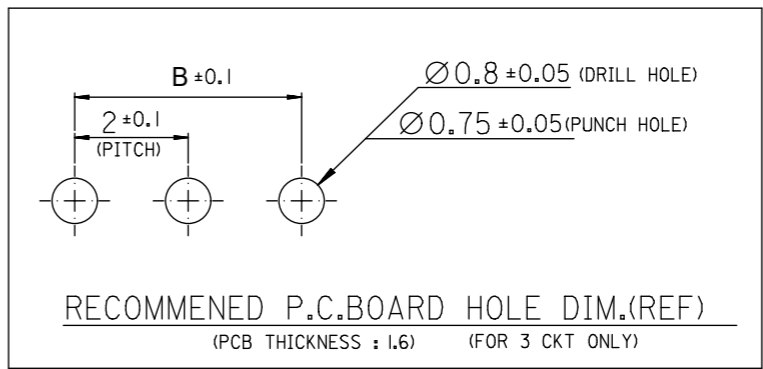
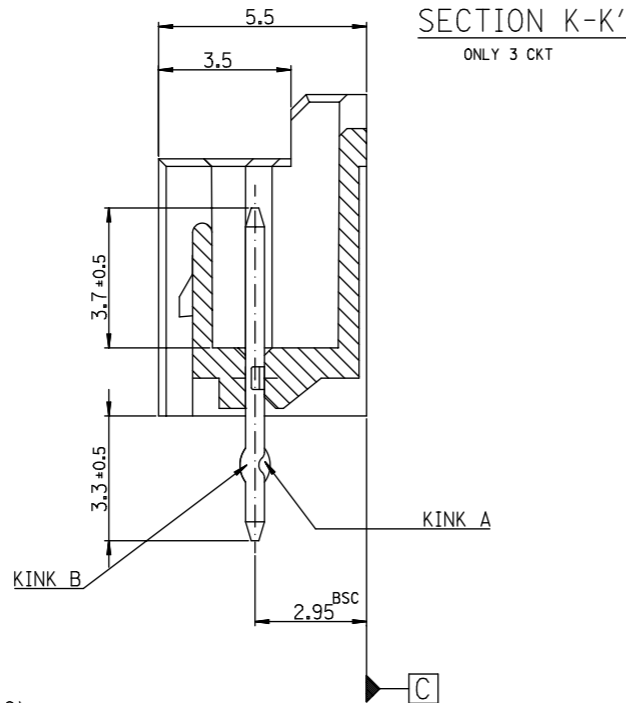
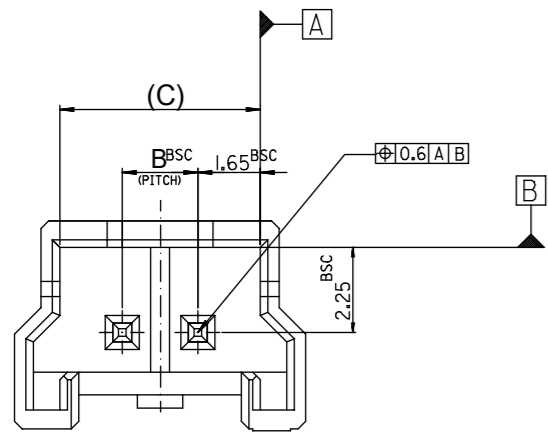


FOR 2 & 3 CKTS.



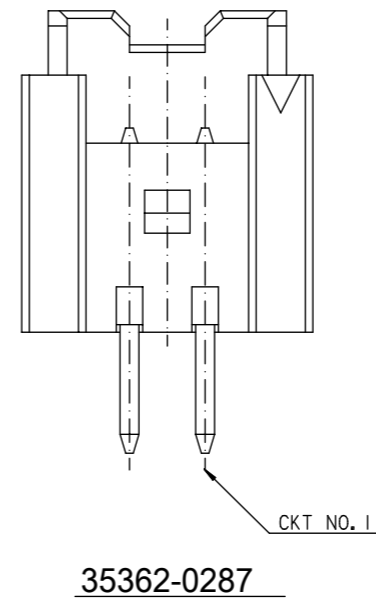
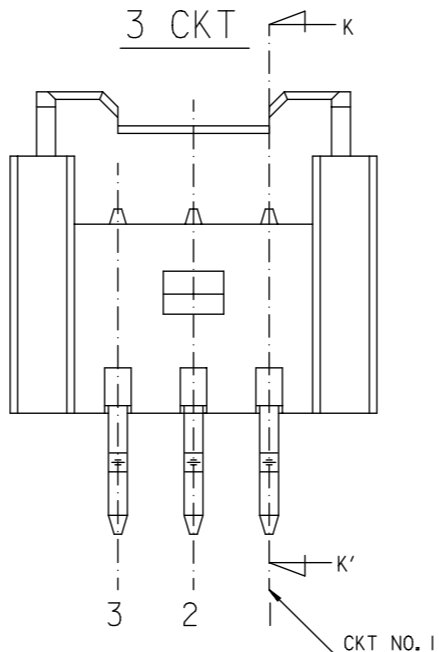
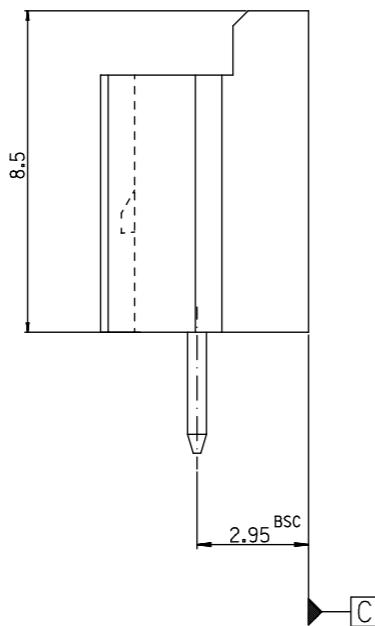
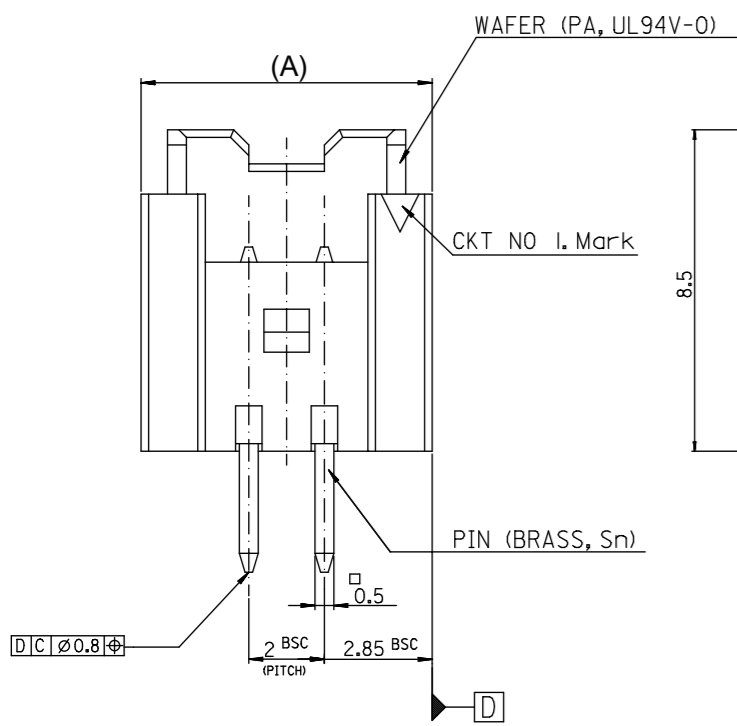
LEGEND

SD-35362-****
CKT NO. _____ COLOR _____

FINAL GOOD (BULK)
SUB ASSY (TUBE)

- 5 : SELECTIVE KINK (LEAD FREE)
- 6 : NONE KINK (LEAD FREE)
- 7 : SELECTIVE KINK (LEAD FREE)
- 8 : NONE KINK (LEAD FREE)

- 0 : NATURAL
- 1 : BLACK
- 2 : RED
- 3 : YELLOW
- 4 : BLUE
- 5 : GREEN
- 6 : TUBE PACKING (Natural Color)
- 7 : TUBE PACKING (Red Color)
- 8 : TUBE PACKING (Blue Color)



35362-0287

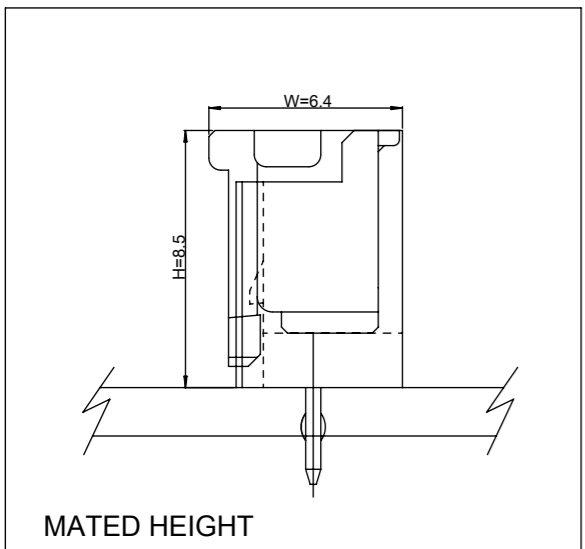
- NOTES**
- MATERIAL : UNFILLED POLYAMIDE, UL94V-0
PIN : BRASS
 - FINISHES : PIN - Tin(Sn) 1.0~3.0µm OVERALL
Cu 1.5~3.75µm OVERALL
 - PRODUCT SPECIFICATION : PS-35507-003
 - MATING HOUSING : 35507-**0
MATING TERMINAL : 50212-8000
 - KINK

CKT NO.	1	2	3
2 CKT			
3 CKT	A	B	A

6. 35362-0287 IS ONLY KINKED 2P

CKT NO.	1	2
PRODUCT NO.	A	B
35362-0287		

7.3	4	9.7	3536203**	35362-03**	3
5.3	2	7.7	3536202**	35362-02**	2
(C)	B	(A)	MATERIAL NO.	ENG. NO.	CKT



LEAD FREE

30 over	±0.3
10 over 30 under	±0.25
10 under	±0.2
ANGLE	± 3°

FUNCTIONAL SYMBOLS: $\nabla_A = 0$, $\nabla_E = 0$, $\nabla_P = 0$

DIVISIONAL SYMBOLS

GENERAL TOLERANCE

THIS DRAWING CONTAINS INFORMATION THAT IS PROPRIETARY TO MOLEX ELECTRONIC TECHNOLOGIES, LLC AND SHOULD NOT BE USED WITHOUT WRITTEN PERMISSION

SCALE: mm 5:1

GENERAL TOLERANCES (UNLESS SPECIFIED)

ANGULAR TOL ± °

4 PLACES ±

3 PLACES ±

2 PLACES ±

1 PLACE ±

0 PLACES ±

DRAFT WHERE APPLICABLE MUST REMAIN WITHIN DIMENSIONS

THIRD ANGLE PROJECTION

DRAWING: A3-SIZE

SERIES: 35362

CURRENT REV DESC:

EC NO: 636378
DRWN: SCHONG03
CHK'D: JBJIN
APPR: YSKIM02

INITIAL REVISION:
DRWN: DYJANG
APPR: CHANGWOOLEE

2020/04/21
2020/04/23
2020/04/23

2004/09/01
2004/09/02

molex

2.0 WB WAFER ASS'Y
-LEAD FREE-

PRODUCT CUSTOMER DRAWING

DOCUMENT NUMBER: SD-35362-002
DOC TYPE: PSD
DOC PART: 002
REVISION: F3

MATERIAL NUMBER: SEE TABLE
CUSTOMER: GENERAL MARKET
SHEET NUMBER: 1 OF 1