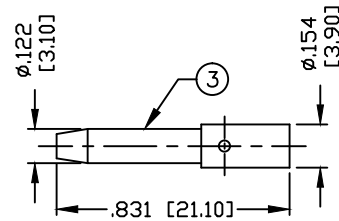
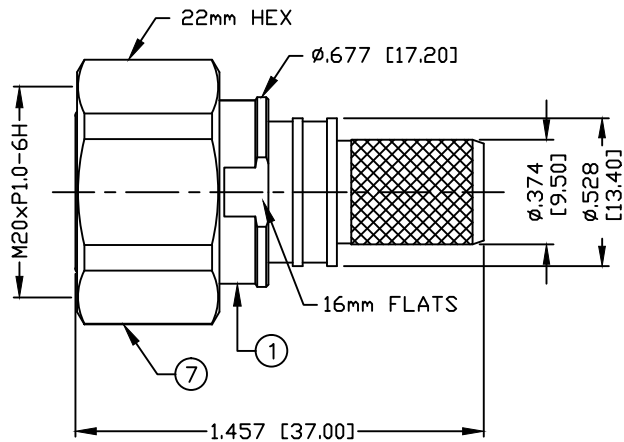


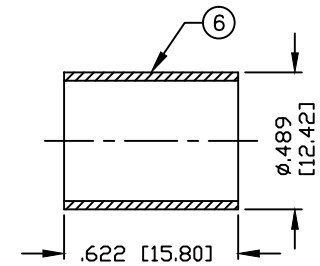
PART NO.

RFD-43M-400

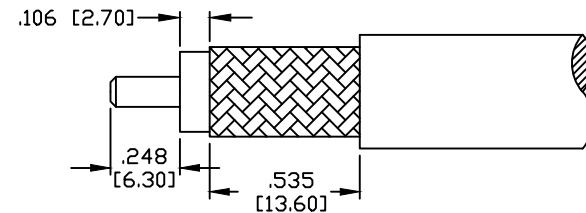
| REV | DESCRIPTION | DWN | DATE | APPROVED |
|-----|---------------------|-----|----------|----------|
| - | ENGINEERING RELEASE | CZS | 01/16/19 | JDMc |



RECOMMENDED CRIMP DIE: .118"/.128"



RECOMMENDED CRIMP DIE: .429"



RECOMMENDED STRIPPING DIMENSIONS

SPECIFICATIONS:

INTERFACE: IEC61169-54
 IMPEDANCE: 50 Ohms
 FREQUENCY RANGE: 0-6 GHz
 VSWR: <1.2:1 THRU 3 GHz
 INSERTION LOSS(dB): $\leq 0.05 \times \sqrt{f(\text{GHz})}$
 WORKING VOLTAGE: 500 Vrms Max.
 INSULATION RESISTANCE: 5000M Ω
 TEMPERATURE RANGE: -55°C TO 85°C
 MECHANICAL DURABILITY: ≥ 100 CYCLES
 FOR LMR-400 CABLE

| # | DESCRIPTION | QTY | MATERIAL | FINISH |
|---|----------------|-----|-----------|--------------|
| 7 | SHELL | 1 | BRASS | WHITE BRONZE |
| 6 | FERRULE | 1 | BRASS | WHITE BRONZE |
| 5 | RETAINING RING | 1 | SST | WHITE BRONZE |
| 4 | O-RING | 1 | SI RUBBER | --- |
| 3 | PIN | 1 | BRASS | SILVER |
| 2 | INSULATOR | 1 | PTFE | --- |
| 1 | BODY | 1 | BRASS | WHITE BRONZE |

| CUSTOMER OUTLINE DRAWING | |
|--|----------|
| ALL DIMENSIONS ARE REFERENCE ONLY | |
| UNLESS OTHERWISE SPECIFIED: DIMENSIONS ARE IN INCHES AND [MILLIMETERS] | |
| DRAWN C. ZUNIGA | 01/16/19 |
| CHECKED | |
| ORJ DRAWN C. ZUNIGA | 01/16/19 |

**RoHS
COMPLIANT**

PROPRIETARY AND CONFIDENTIAL
 THIS DRAWING CONTAINS
 INFORMATION PROPRIETARY TO
 RF INDUSTRIES. ANY
 UNAUTHORIZED USE OF THIS
 DRAWING IS EXPRESSLY
 PROHIBITED WITHOUT WRITTEN
 PERMISSION FROM RF
 INDUSTRIES. ANY VIOLATION IS
 PUNISHABLE UNDER U.S.
 COPYRIGHT LAWS.

RFconnectors
DIVISION OF RF INDUSTRIES, LTD.

RFINDUSTRIES.COM
 7610 MIRAMAR RD.
 SAN DIEGO, CA 92126
 (858) 549-6340
 (858) 549-6345 FAX

4.3/10 CRIMP PLUG

| CABLE GROUP | DWG # | REVISION |
|-------------|--------------------|--------------|
| | RFD-43M-400 | --- |
| FORMAT | SCALE | CONTROL # |
| A | NTS | N/A |
| | | SHEET 1 OF 1 |