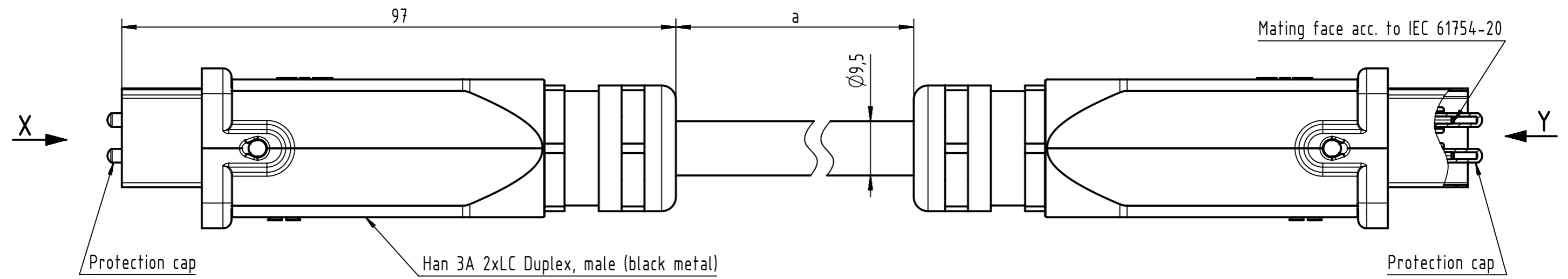


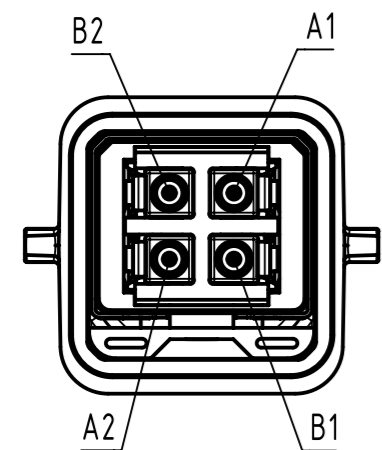
Connector Location A

Connector Location B



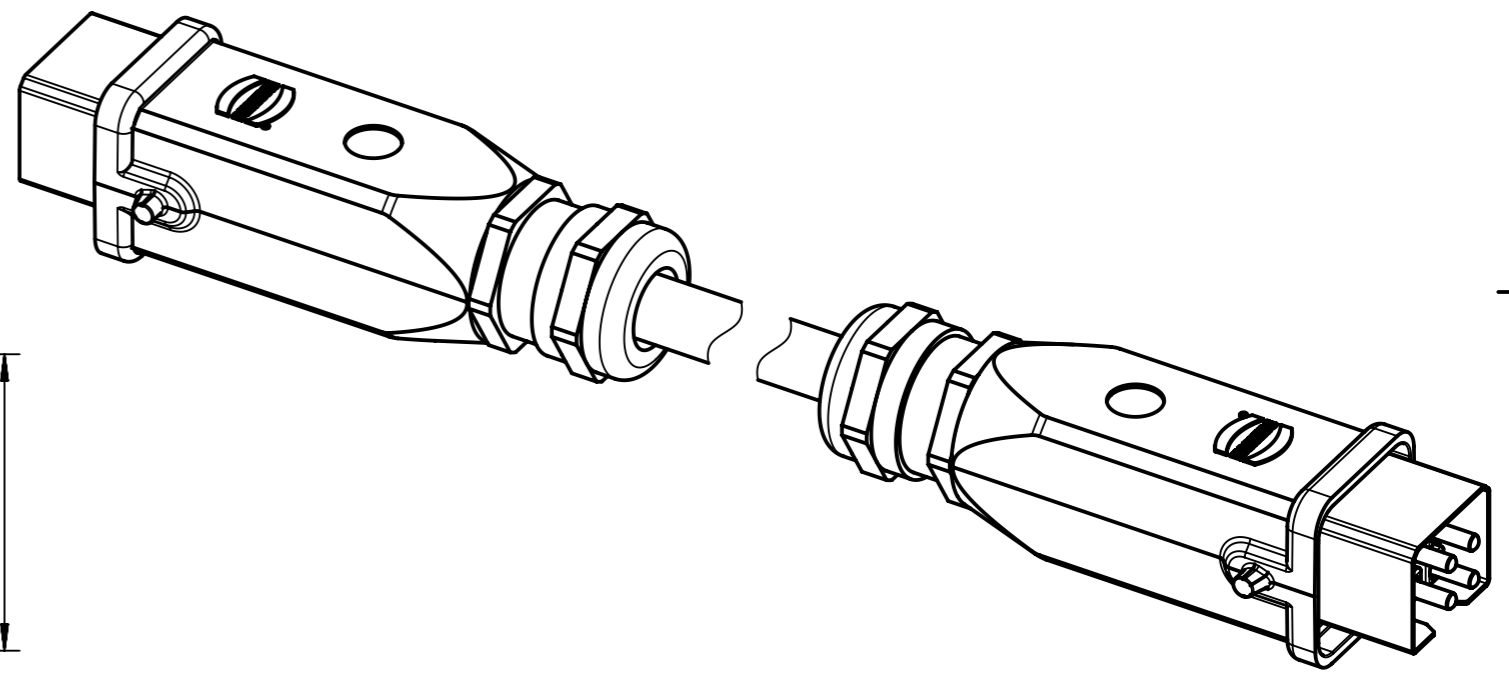
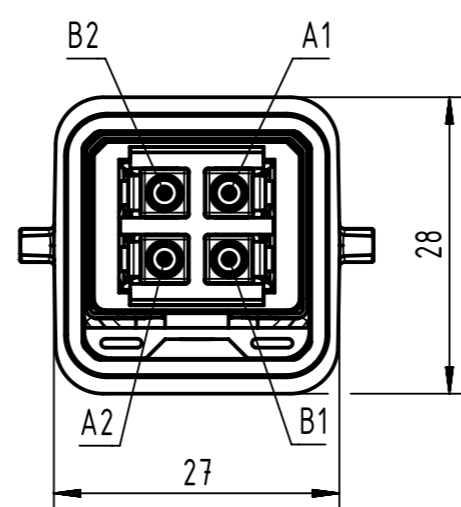
X  
(without protection cap)

Y  
(without protection cap)



**Loading-Plan**

A1 — yellow 1 — B2  
 B1 — yellow 2 — A2  
 A2 — yellow 3 — B1  
 B2 — yellow 4 — A1



-Protection level: IP67/65  
 -Temperature range: -25°C ... +70°C

9	33542113000001	F.O. breakout cable single mode, 4-channel, E9/125, PVC, black	300
8	33542111000001		100
7	33542110600001		60
6	33542110500001		50
5	33542110400001		40
4	33542110200001		20
3	33542110100001		10
2	33542110050001		5
1	33542110010001		1
<b>Cont. no.</b>	<b>Part no.</b>	<b>Type of cable</b>	<b>Dim. a[m]</b>

	All rights reserved		Created by MUNTEANV		Inspected by POPESCU		Standardisation AVRAM		Date 2017-03-23		State Final Release	
	Department HCS - RO		Title Han 3A LC Cable Assembly				Doc-Key / ECM-Nr. 100178844/UGD/014/B 500000117182		Rev. B		Page 1/1	
HARTING Customised Solutions D-32427 Minden			Type TB	Number 3354211XXX0001								