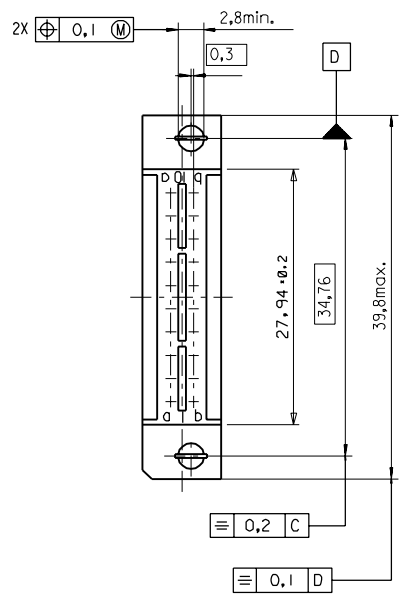
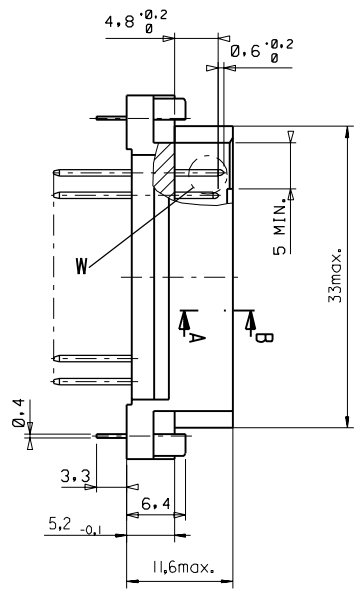
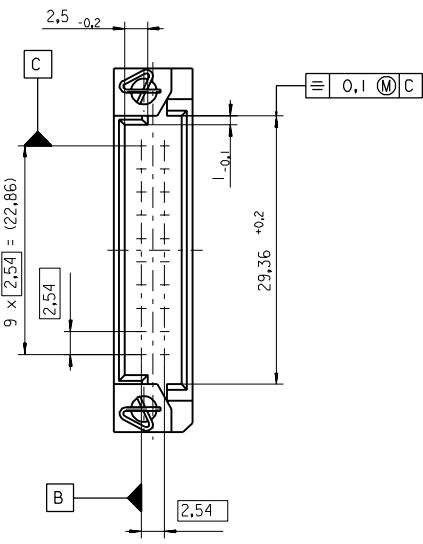
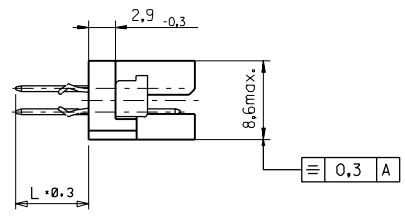
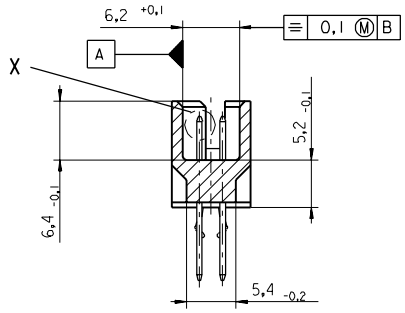
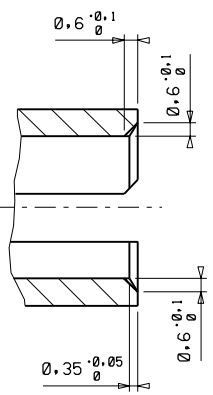
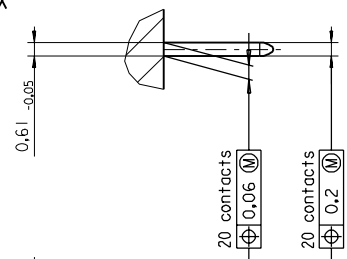


PART NO.
DWG. NO.

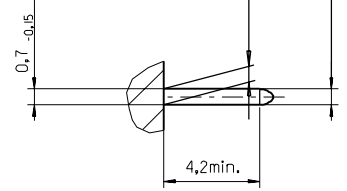
Section A - B
5:1



View X
5:1



View W
5:1



FIRST ANGLE PROJECTION REVISE ONLY ON CAD SYSTEM SH. REV.

first release see ECN No. 1887	REVISIONS FOR PREVIOUS REVISIONS SEE MRI LIST	UNLESS OTHERWISE SPECIFIED TOLERANCES: ANGULAR $\pm 2^\circ$	DRWG BY Ca	SIGN	CAD/CAM PROJECT NAME 8501000 611	THIS DRAWING CONTAINS INFORMATION THAT IS PROPRIETARY TO MOLEX INC. & SHOULD NOT BE USED WITHOUT WRITTEN PERMISSION
		INCH METRIC	CHK'D BY KN	SIGN	TITLE 20 pos. Male connector acc. DIN 41612 style Q/3 Dimensions	
A	LTR	3 PLACE \pm . \pm	APP'D BY	SIGN	SHEET NO. DATE 1 OF 95/06/08	
		2 PLACE \pm . \pm	SCALE 2:1	SIGN	PART NO. DWG NO. SIZE SDA-85011-0001 B	
		1 PLACE \pm . \pm				
		DRAFT WHERE APPLICABLE MUST REMAIN WITHIN DIMENSIONS				
		DESIGN DIMENSION <input checked="" type="checkbox"/> MM				
		EQUIVALENT DIMENSION <input type="checkbox"/> MM				
		IF TWO DIMENSIONS ARE SHOWN THE UPPER IS THE DESIGN DIMENSION, LOWER IS SECONDARY				

View on mating side

△	A	A	A	A	A	A	A	A	A
○	A	A	A	A	A	A	A	A	A

▽ ◀ ▶ ↻ ↺ ↻ ↺ ↻ ↺

A = 20 standard contacts L=4,5

Marking	Standard
Performance level	G1/0 = Contact area perform. level I / Termination tin
Flux proof	no
Fixing clip	no
Dimensions	SDA-85011-0001 sht.1
Technical Data	PS-85013-0001

A	G1/0	a1-10	b1-10
Contact symbol	Perform. level	Contact position number	

see ECN No. 2204 96/07/18 CD REVISIONS FOR PREVIOUS REVISIONS SEE MRI LIST	LTR INCH UNLESS OTHERWISE SPECIFIED TOLERANCES: ANGULAR ± 2° METRIC 3 PLACE ± . ± 2 PLACE ± . ± 1 PLACE ± . ± DRAFT WHERE APPLICABLE MUST REMAIN WITHIN DIMENSIONS DESIGN DIMENSION <input type="checkbox"/> MM <input type="checkbox"/> IN. EQUIVALENT DIMENSION <input type="checkbox"/> MM <input type="checkbox"/> IN. IF TWO DIMENSIONS ARE SHOWN THE UPPER IS THE DESIGN DIMENSION, LOWER IS SECONDARY	DRWG BY CD	SIGN CD	CAD/CAM PROJECT NAME s8501101 s01	REVISE ONLY ON CAD SYSTEM SH. REV.	
		APP'D BY KN	SIGN KN	TITLE 20 pos. Male connector acc. DIN 41612 style Q/3 contacts arrangement	SHEET NO. DATE 1 OF 1 95/06/08	PART NO. 85011-0103