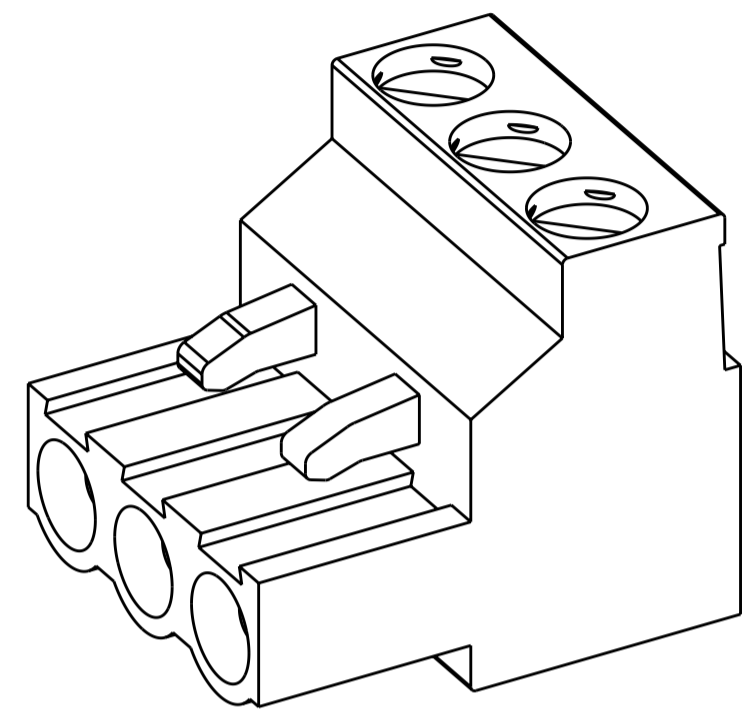
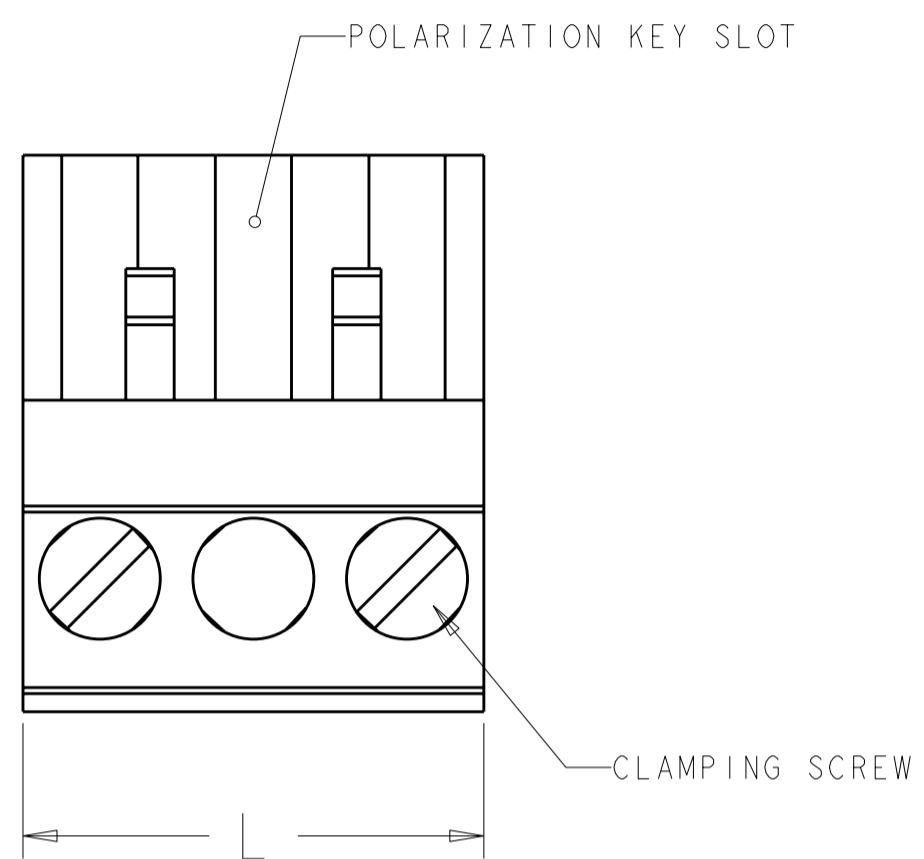
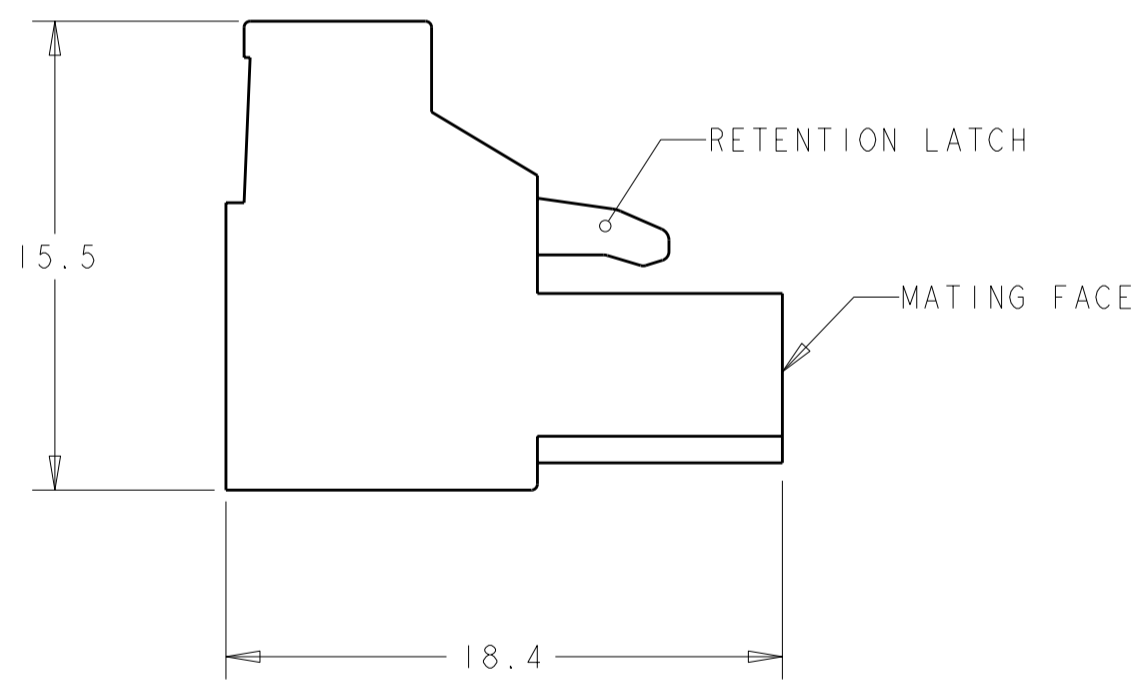
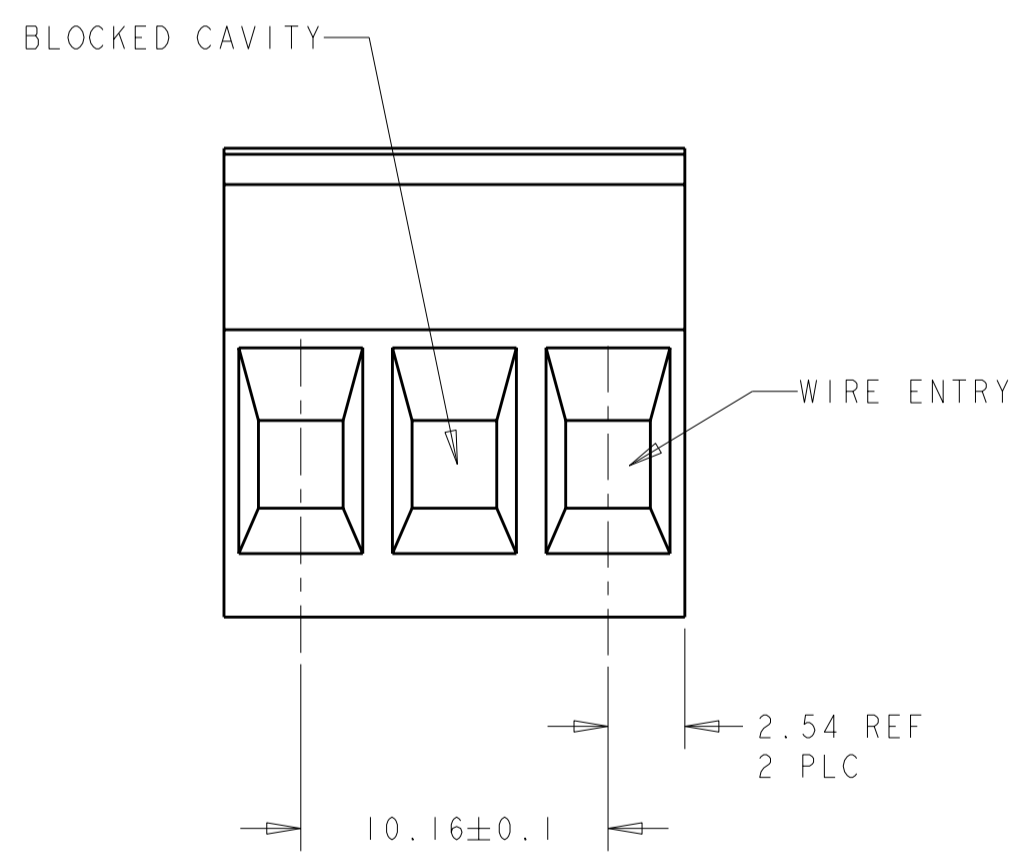
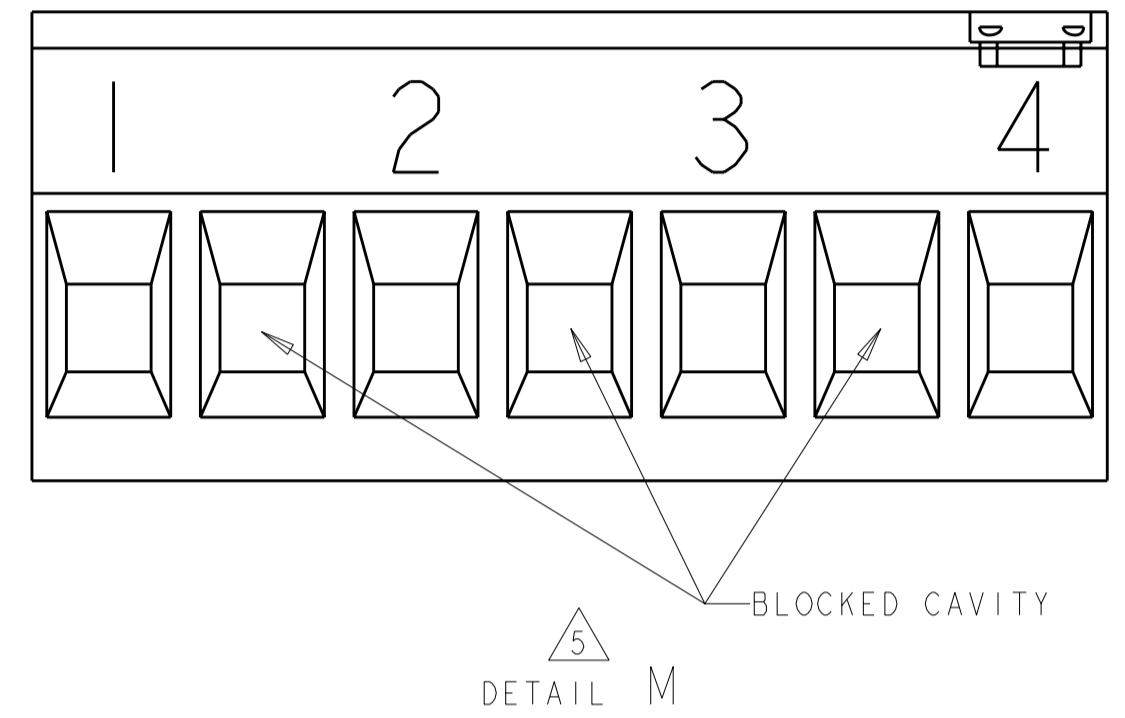


THIS DRAWING IS UNPUBLISHED. RELEASED FOR PUBLICATION 20
 © COPYRIGHT 20 BY - ALL RIGHTS RESERVED.

LOC		DIST		REVISIONS			
P	LTR	DESCRIPTION	DATE	DWN	APVD		
FT	0	EI	REVISÉ PER ECO-11-005027	15MAR2011	RK	HMR	



282809-3 AS SHOWN



- MATERIALS AND FINISH:
 HOUSING: PA 6-6, UL 94-V0, COLOR: SEE TABLE.
 CLAMP: BRASS, NICKEL PLATED.
 CONTACT SPRING: PHOSPHOR BRONZE, TIN PLATED.
 CLAMPING SCREW: M3, BRASS, NICKEL PLATED.
 - WIRE SIZE RANGE: 12-30 AWG.
 - RECOGNIZED UNDER THE COMPONENT PROGRAM OF UNDERWRITERS LABORATORIES INC. FILE N° E60677.
 - IMO CERTIFICATE WITH SURVEILLANCE IN CONFORMITY WITH IEC 998-1/998-2-1.
- △ INK MARKING, WHITE COLOR.

DETAIL M	BLACK	35.56	4	1-282809-5
DETAIL M	GREEN	35.56	4	1-282809-4
-	GREEN	127.00	13	1-282809-3
-	GREEN	116.84	12	1-282809-2
-	GREEN	106.68	11	1-282809-1
-	GREEN	96.52	10	1-282809-0
-	GREEN	86.36	9	282809-9
-	GREEN	75.20	8	282809-8
-	GREEN	66.04	7	282809-7
-	GREEN	55.88	6	282809-6
-	GREEN	45.72	5	282809-5
-	GREEN	35.56	4	282809-4
-	GREEN	25.40	3	282809-3
-	GREEN	15.24	2	282809-2
MARKING	HOUSING COLOR	L	NO OF POSN	PART NUMBER

THIS DRAWING IS A CONTROLLED DOCUMENT.

DWN E. ZANOLINI 23 JUL 2001
 CHK D. BIEVENOUR 23 JUL 2001
 APVD D. BIEVENOUR 23 JUL 2001

STE TE Connectivity

NAME: TERMINAL BLOCK, PLUG, 10.16mm PITCH

SIZE: A2 CAGE CODE: 00779 DRAWING NO: C-282809 RESTRICTED TO: -

MATERIAL: - DIMENSIONS: mm TOLERANCES UNLESS OTHERWISE SPECIFIED: 0 PLC ±- 1 PLC ±0.2 2 PLC ±0.25 3 PLC ±0.000 4 PLC ±0.000 ANGLES ±2 FINISH

PRODUCT SPEC: - APPLICATION SPEC: - WEIGHT: -

CUSTOMER DRAWING SCALE: 4:1 SHEET: 1 OF 1 REV: E1