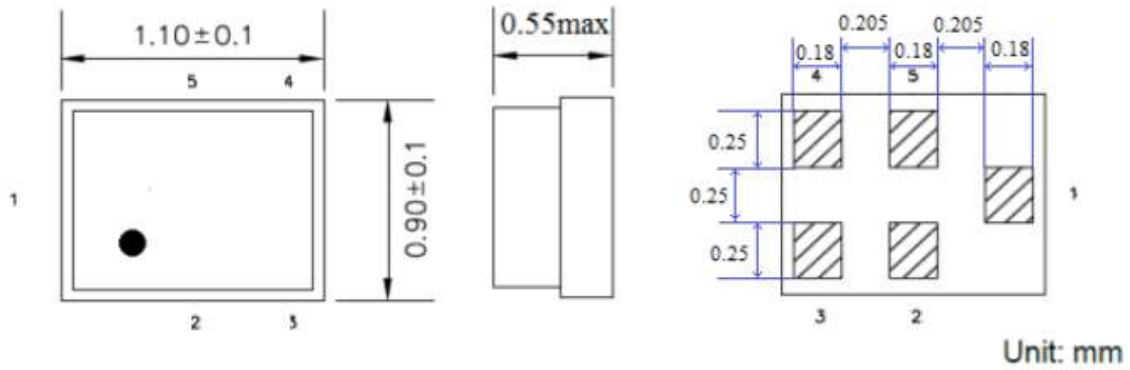


Electrical Specification

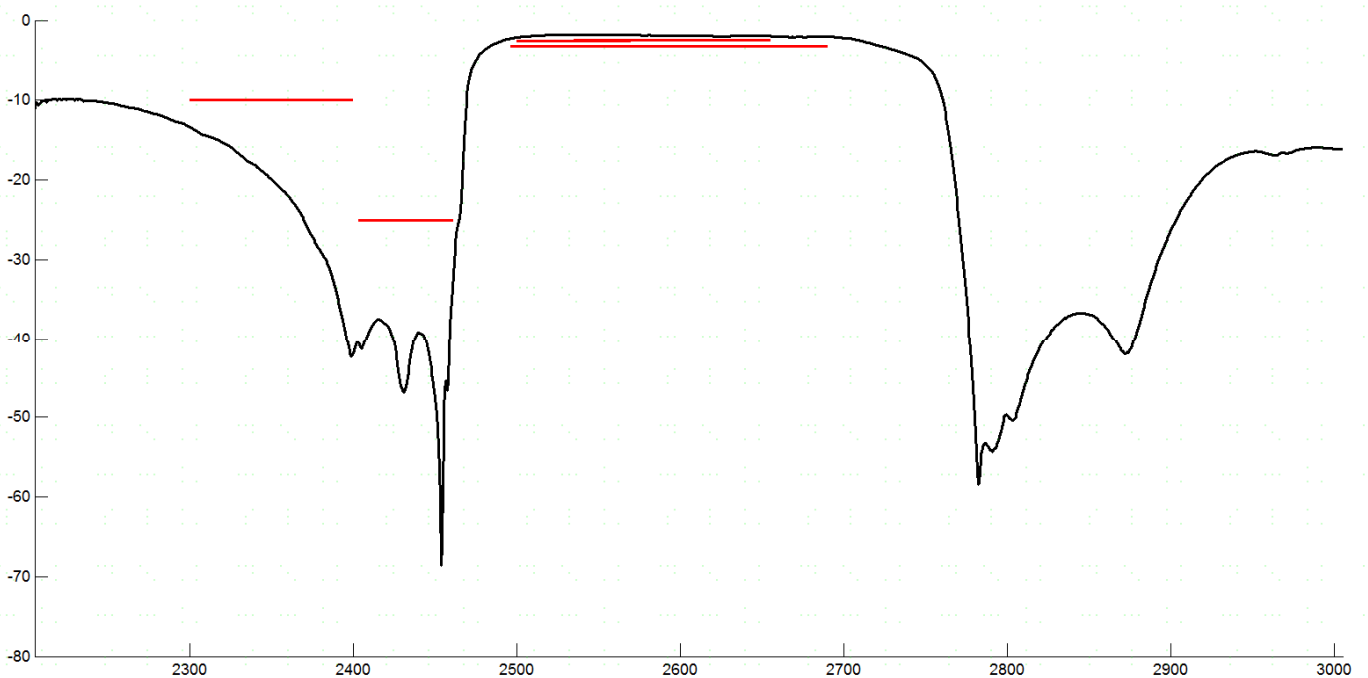
Parameters		Value	Unit
Center Frequency (Fo)		2593.000	MHz
Insertion Loss, tpy/max	@ 2496~2690 MHz	2.3 / 3.2	dB
	@ 2500~2570 MHz	2.1 / 2.6	dB
	@ 2570~2620 MHz	2.0 / 2.5	dB
	@ 2535~2655 MHz	2.0 / 2.5	dB
Amplitude Ripple	@ 2496 ~ 2690 MHz	0.6 / 1.5	dB
VSWR	@ 2496 ~ 2690 MHz	1.6 / 2.1	-
Absolute Attenuation, tpy/min	@ 10 ~ 900 MHz	-40 / -45	dB
	@ 925~960 MHz	-37 / -44	dB
	@ 1166~1254 MHz	-33 / -39	dB
	@ 1559~1606 MHz	-30 / -40	dB
	@ 1710~1785 MHz	-30 / -38	dB
	@ 1805~1880 MHz	-20 / -30	dB
	@ 1880~1920 MHz	-20 / -26	dB
	@ 1920~1990 MHz	-15 / -22	dB
	@ 2010~2025 MHz	-12 / -20	dB
	@ 2110~2170 MHz	-8 / -12	dB
	@ 2300~2400 MHz	-10 / -16	dB
	@ 2403~2461 MHz	-25 / -35	dB
	@ 3300~3800 MHz	-15 / -19	dB
	@ 3800~4200 MHz	-15 / -22	dB
	@ 4400~4800 MHz	-25 / -30	dB
@ 4900~5950 MHz	-22 / -26	dB	
ESD voltage Sensitive discharge device	ESD(HBM)	50	VDC
	ESD(MM)	175	
DC. Voltage VDC		5	V
Input Power, max, 5000h		32	dBm
Operating Temperature Range		-30 ~ +85	°C
Storage Temperature Range		-40 ~ +85	°C

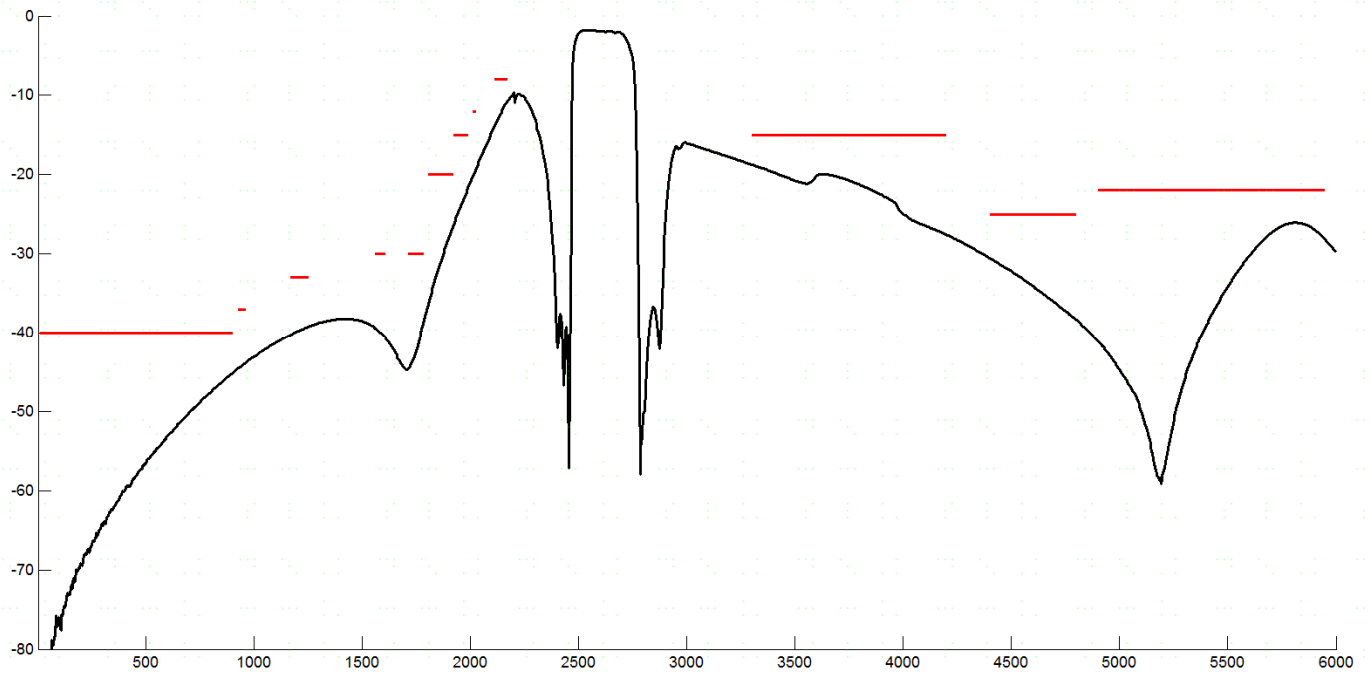
Dimension



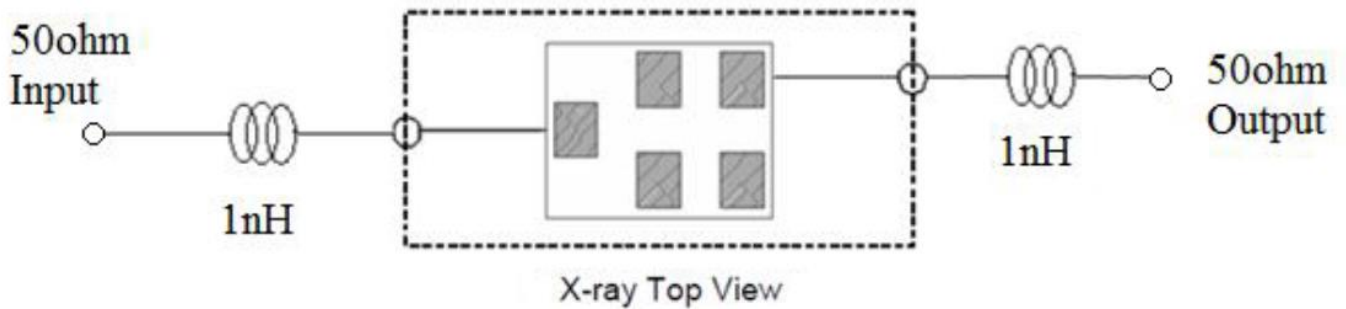
PIN #	PIN NAME	DESCRIPTION
1	IN	Input
4	OUT	Output
2,3,5	GND	Ground

Frequency Characteristics





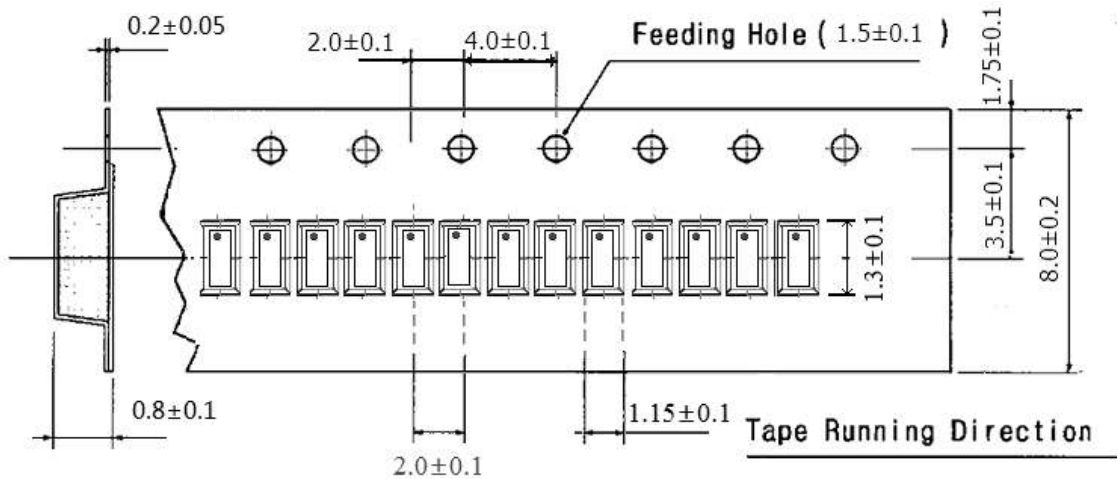
Test Circuit



Environmental

PARAMETER	VALUE
MOISTURE SENSITIVITY LEVEL	2
REACH – SVHC	Compliant
RoHS	Compliant

Tape Dimension



● APPROVAL

DRAWN BY	ZZ, August 9, 2021
APPROVED BY	AR, August 9, 2021
REVISION	A, Initial Release

Raltron Electronics / RAMI Technology USA, LLC, including its affiliates, employees, agents and other persons acting on its behalf (collectively Raltron/RAMI Tech), disclaim any and all liability for any errors or inaccuracies contained in this data sheet. While Raltron/RAMI Tech has made every reasonable effort ensure the accuracy of all product information, specifications and data contained herein, Raltron/RAMI Tech does not guarantee that the information is accurate, reliable, or current. The product information is provided only for reference purposes only and is subject to change, correction or revision, at any time without notice. Raltron/RAMI Tech does not assume any liability arising out of an application or use of any product described herein and disclaims any warranties expressed or implied. The user of products in such applications shall assume all risks of such use and will agree to hold Raltron/RAMI Tech, harmless



A **RAMI TECHNOLOGY** Company

RF SAW FILTER

page 5 of 5

RSF-2593.000-200000-1109-TR

against all damages.

Copyright © 2016, Raltron Electronics / RAMI Technology USA, LLC. All rights reserved. No part of this document may be reproduced in any form without the prior written permission of Raltron Electronics / RAMI Technology USA, LLC.