

A

B

C

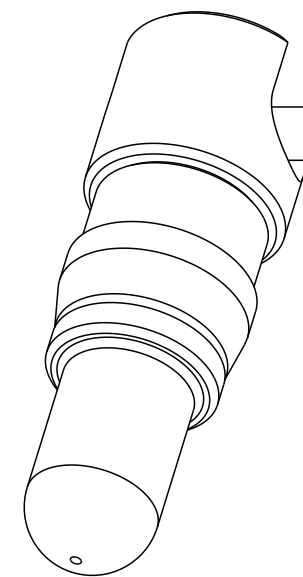
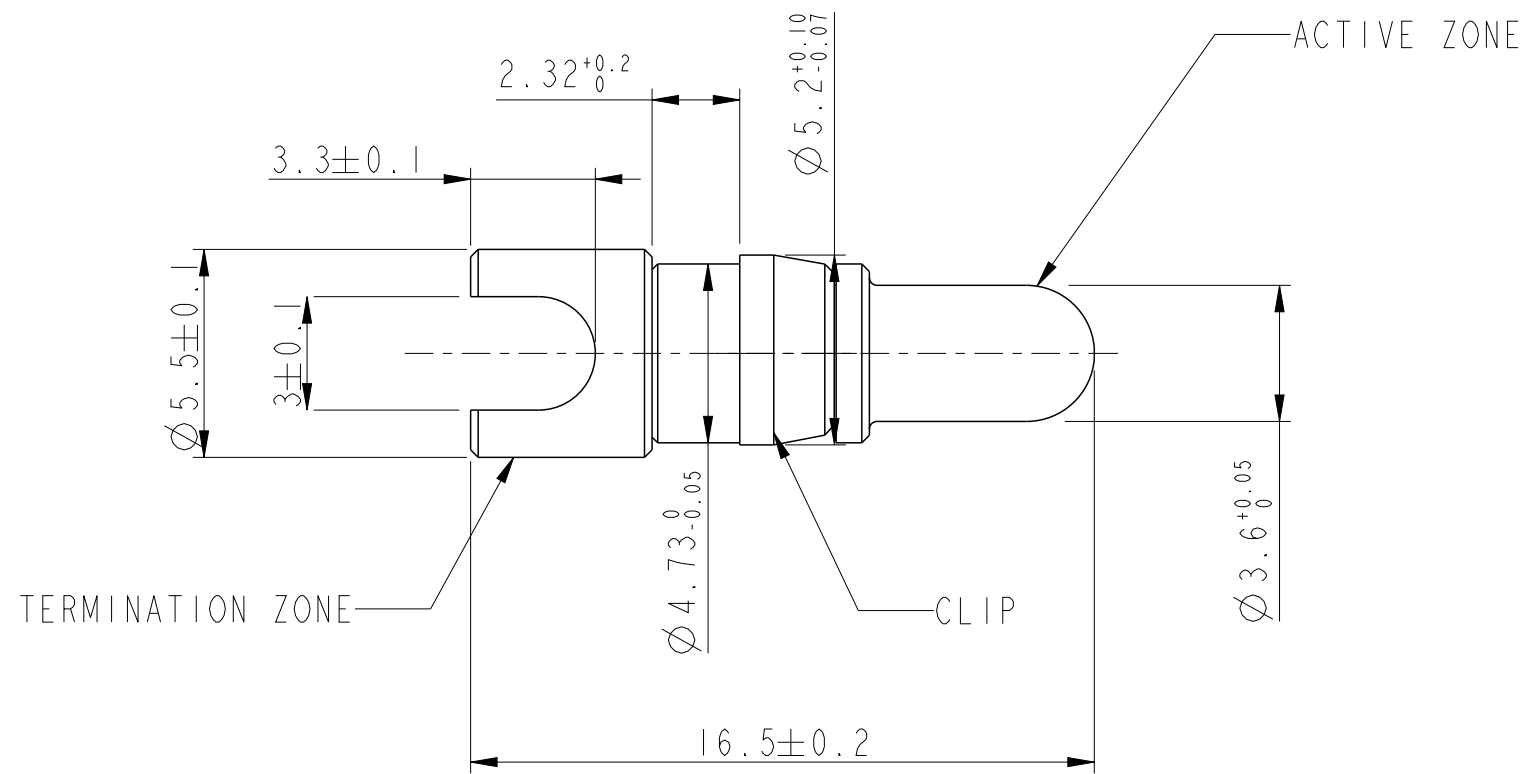
D

A

B

C

D



**MATERIAL AND FINISH**

Active zone

Material: Brass

Plating: Ni + gold

Termination zone (soldering sleeve)

Material: Brass

Plating: Cu over Tin pure matte

Clip

Material: Beryllium Copper

Plating: Nickel

**MECHANICAL CHARACTERISTICS**

Mechanical endurance : 200 matings/unmatings

Contact insertion force on the insulator

max 60N on a hole of 4.80mm

**ELECTRICAL CHARACTERISTICS**

Current max : 30A

**PACKAGING**

Single Contact in Individual Plastic Cover

Part Number 10123813-101LF

**NOTE : ROHS INFORMATION**

The product meet the European union directives and others countries regulations as described on the GS-47-0004

spec ref	-	dr	Paul Mithun	2015/02/10	projection	MM	size	A3	scale	5:1
tolerance std	ISO 406 ISO 1101	eng	Paul Mithun	2015/02/10			ecn no	-	rel level	Released
TOLERANCES UNLESS OTHERWISE SPECIFIED		chr	-	-						
surface	ISO 1302	appr	K-Paul Biju	2015/02/10	product family	D-Sub				
	linear	0.X	±0.3		title	SLOTTED POWER CONTACT	dwg no	10123813	rev	A
		0.XX	±0.10							
		0.XXX	±0.005							
	angular	0°	±2°	www.fci.com	cat. no.	-	Product - Customer Drw		sheet 1 of 1	



Copyright FCI.