

6

5

4

3

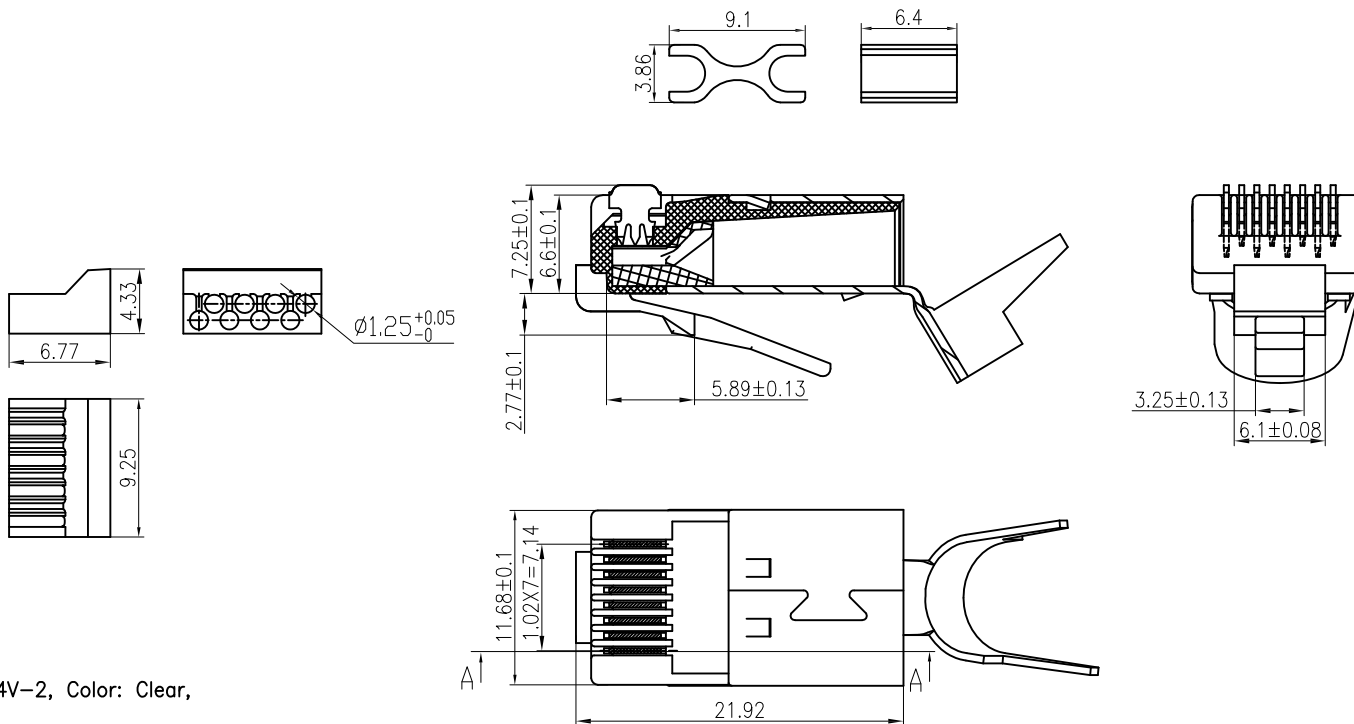
2

1

APPROVED: _____

DATE: _____ TITLE: _____

Rev	AWO #	Description	Date	Appr
-		RELEASED	9/25/20	



B

SPECIFICATIONS:

Material:
 Insulator: PC, rated UL 94V-2, Color: Clear,
 Contacts: Copper Alloy
 Shield: Copper Alloy, Nickel Plated
 Plating:
 Gold over Nickel underplate on contact area
 Electrical:

Voltage rating: 150 VAC rms
 Current rating: 1.5 Amp
 Contact resistance: 20 mohms max
 Insulation resistance: 1000 Mohms min @ 500 VDC
 Dielectric withstanding voltage:
 Contact to Contact: 1,000 VDC or AC Peak for 1 minute
 Other Contacts Connected Together: 1,500 V DC/AC Peak all Contacts
 Connected Together to Shield (Housing/Mounting Plate) if Present @0.5mA
 50/60HZ For 1 Minute

Mechanical:
 Wire range: 21~23AWG, ϕ 1.14mm~1.24mm
 Temperature Rating:
 Operating temperature: -25°C to +55°C
 Environmental:
 Lead free, RoHS compliant.



"X"	PLATING
X	Gold flash
U	15 μ m Gold
W	30 μ m Gold
G	50 μ m Gold

A

UNLESS OTHERWISE SPECIFIED ALL DIMENSIONS ARE MILLIMETERS TOLERANCES: EXCEPT AS NOTED ANGLE: $\pm 1^\circ$ 0~15 ± 0.15 15~30 ± 0.20 30~ ± 0.25		ADAM TECH INTERCONNECTS 909 Rahway Avenue, Union, NJ 07083 Phone: 908-687-5000 Fax: 908-687-5710	
APPROVALS DRAWN: LH CHECKED: AY1 APPROVED:		DATE 9/25/20 9/25/20	
TITLE MODULAR TELEPHONE PLUG, 8P8C, SOLID WIRE CONTACTS, CAT 6		SIZE X	PART NO. MTP-88-X-S-C6-A
REF: S00005C		SCALE: NTS	REV. - SHEET 1 OF 1

6

5

4

3

2

1