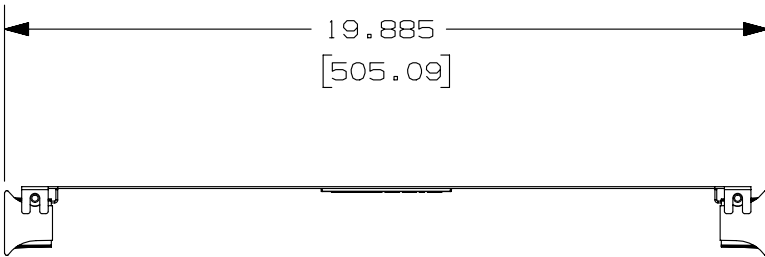


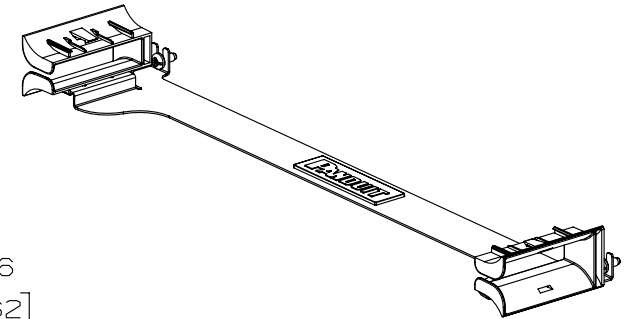
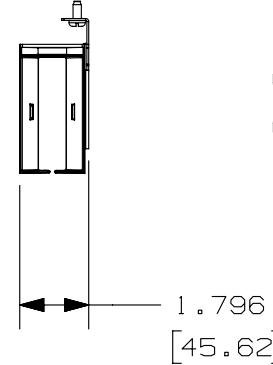
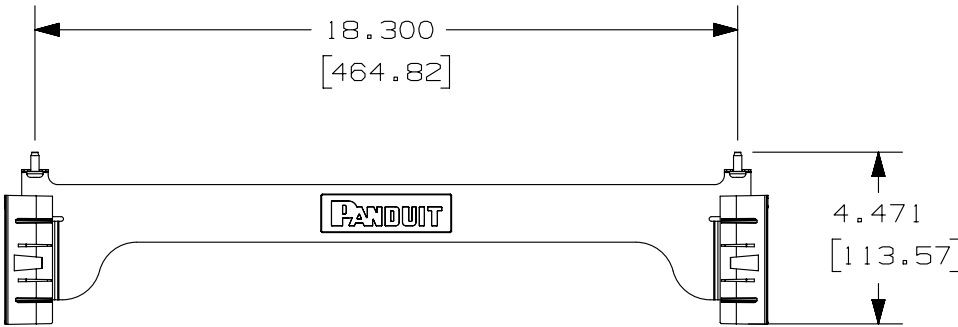
THIS COPY IS PROVIDED ON A RESTRICTED BASIS AND IS NOT TO BE USED IN ANY WAY DETRIMENTAL TO THE INTERESTS OF PANDUIT CORP.



PANDUIT P/N	WEIGHT
WMBZ	.66LB/EACH PC (300.0 g/EACH PC)

NOTES:

- IDENTIFICATION: ZERO RACK UNIT
- MATERIAL: 16 GA. STEEL.
- DIMENSIONS IN PARENTHESIS ARE METRIC



REV	DATE	BY	CHK	APR	DESCRIPTION	ECN
04A	11-19-13	BAME	FGR	CMK	UPDATED VIEWS	10031-41
00A	10-5-01	ADP			DRAWING RELEASED	10031-41

TITLE				ZERO RACK UNIT (WMBZ)			
CUSTOMER DRAWING							
ITEM REVISION NAME				V10031AD/04			
DATASET FILE NAME				V10031AD_DC/04A			
UNLESS OTHERWISE SPECIFIED, DIMENSIONAL TOLERANCES ARE: IN (mm)							
.X ± .XX ±							
.XXX ± ANGLES ±				MATERIAL: SEE COMPONENTS FOR DETAILS			
THIRD ANGLE PROJECTION				DRAWING NUMBER: 10031-41			
DRAWN BY	DATE	CHK	SCALE	SHT 1 OF 1		SIZE	
ADP	10-5-01		1:5			A	

D10100DA/16