



SWING HANDLE - SMALL VERSION



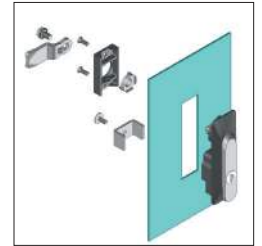
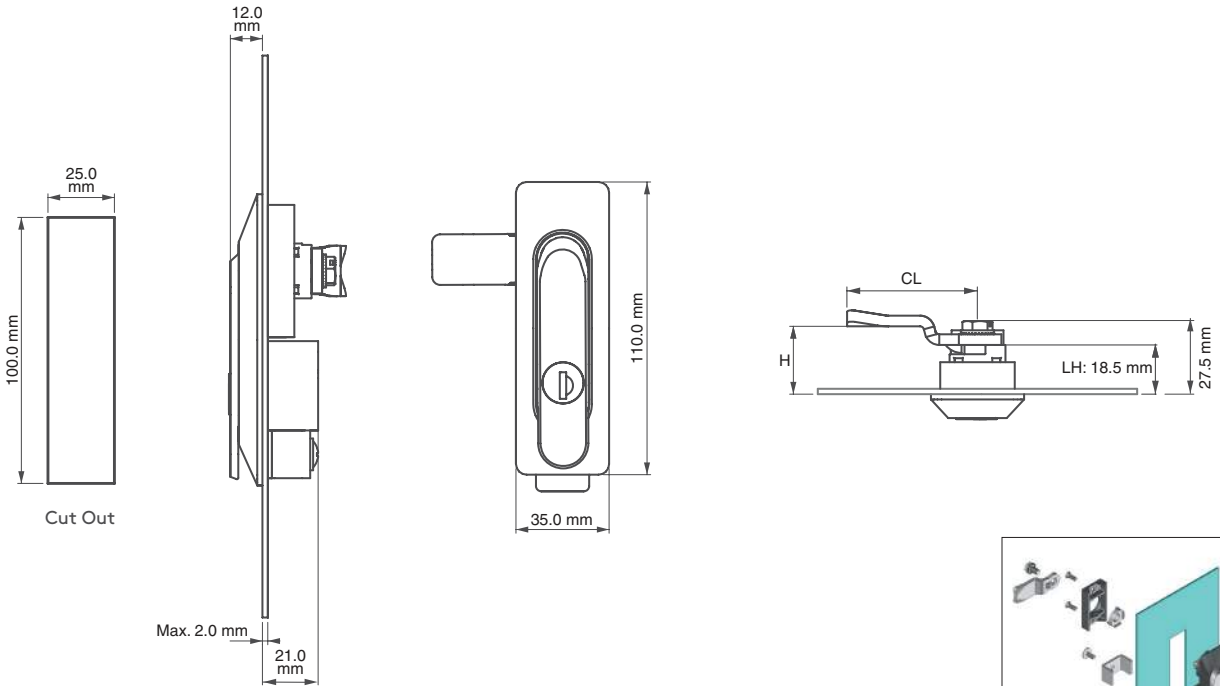
*Example with cam.
Cam sold separately.

Specifications

- Material:
Body: Polyamide DIN-EN ISO 1043-1 PA6 GFR 30
Handle: Zinc Alloy (Zamak) DIN-EN 1774-ZnAl4Cu1
Cam: Steel
Seal: Polyurethane
- 25.0 mm x 100.0 mm cut out

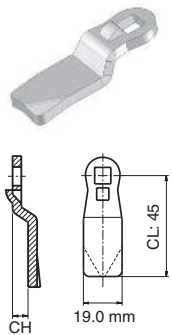
Features

- For indoor and outdoor applications
- Applications: Electric panels, machinery covers, rack enclosures



Zinc Alloy / Chrome	Zinc Alloy / Black	Nylon / Black	Cylinder	Cam
3081120300	3081220300	3082020300	Keyed alike	Select Cam Below

Steel Cam



Item Number	CH (mm)	CL (mm)	H (mm)
30403033	0.0	45.0	18.5
30403439	1.0	45.0	19.5
30403159	2.0	45.0	20.5
30403063	3.0	45.0	21.5
30403149	4.0	45.0	22.5
30403160	6.0	45.0	24.5
30403161	8.0	45.0	26.5
30403162	10.0	45.0	28.5
30403045	12.0	45.0	30.5
30403163	14.0	45.0	32.5
30403151	16.0	45.0	34.5

Item Number	CH (mm)	CL (mm)	H (mm)
30403165	18.0	45.0	36.5
30403166	20.0	45.0	38.5
30403167	22.0	45.0	40.5
30403168	24.0	45.0	42.5
30403169	-2.0	45.0	16.5
30403170	-4.0	45.0	14.5
30403171	-6.0	45.0	12.5
30403172	-8.0	45.0	10.5
30403173	-10.0	45.0	8.5
30403174	-12.0	45.0	6.5
30403175	-14.0	45.0	4.5