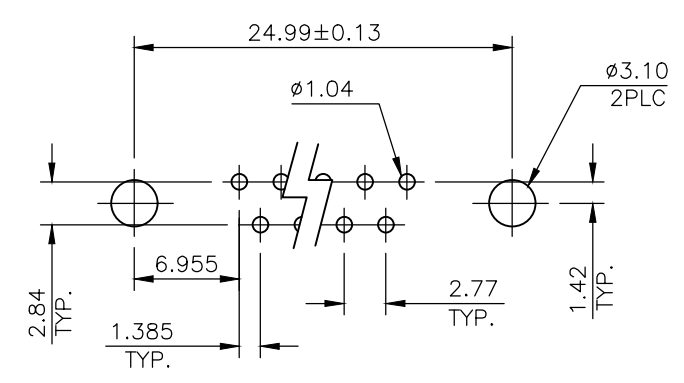
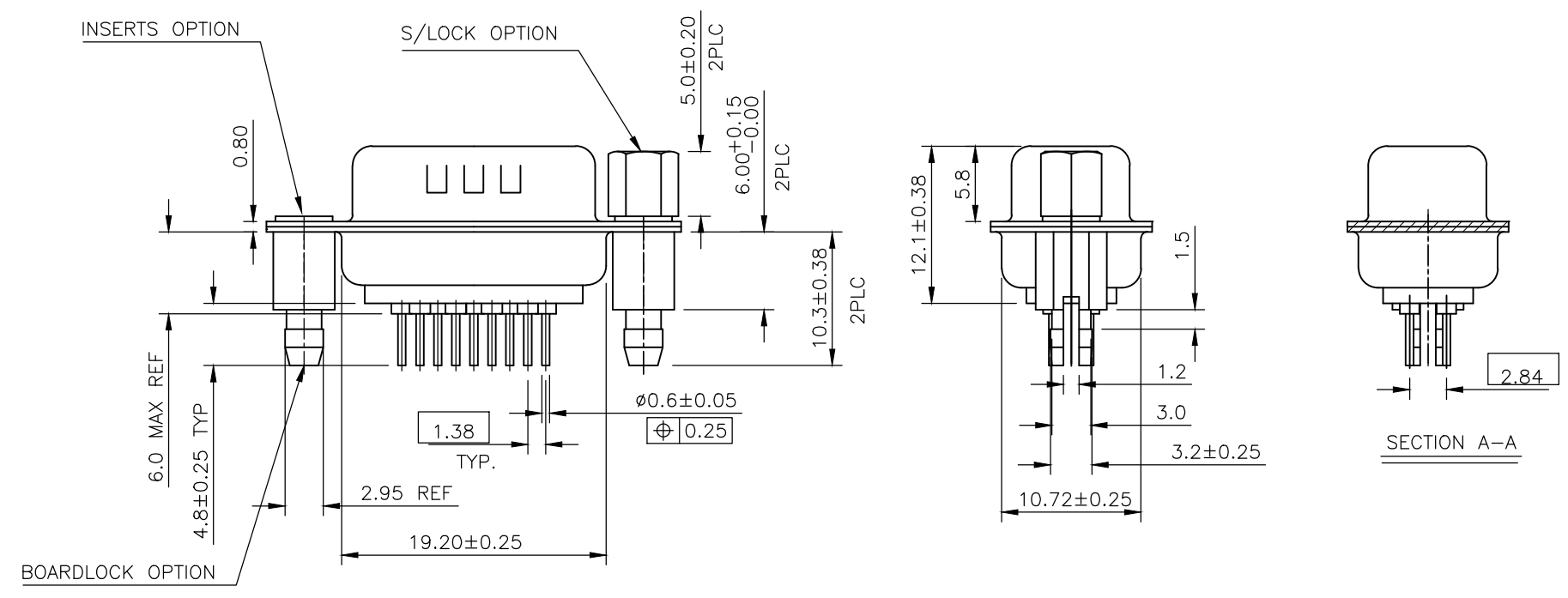
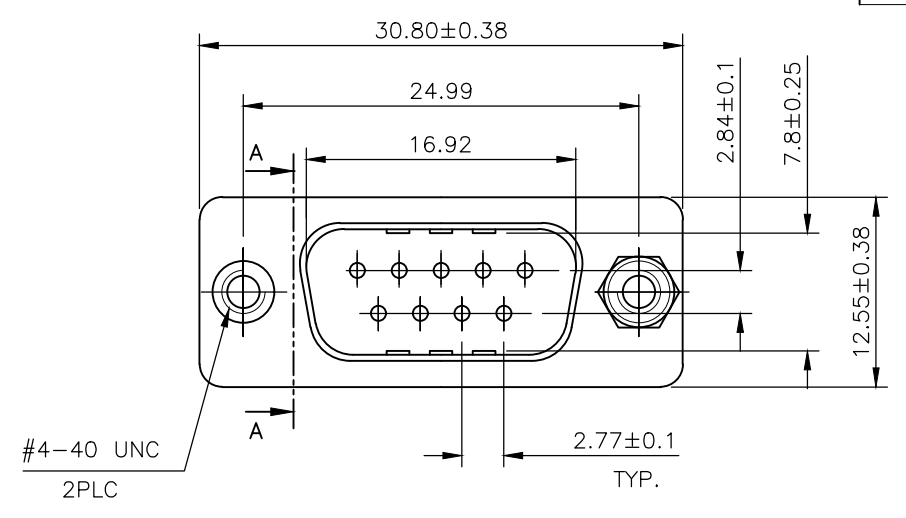


THIS DRAWING IS UNPUBLISHED. RELEASED FOR PUBLICATION
 © COPYRIGHT - By - ALL RIGHTS RESERVED.

LOC	DIST	REVISIONS					
GP	00	P	LTR	DESCRIPTION	DATE	DWN	APVD
		L		REVISED PER ECO-17-012925	21FEB2018	AP	DG

- 1 MATERIAL
 HOUSING : THERMOPLASTIC, UL94V-0, BLACK
 CONTACTS : BRASS
 SHELL : STEEL
 SCREW : BRASS.
 BOARD LOCK : BRASS.
 SCREW OF TORQUE : 5 Kg-cm MAX.
- 2 FINISH
 CONTACT : 15µ" MIN.GOLD PLATING ON CONTACT AREA
 100µ" MIN. TIN PLATING ON SOLDER TAILS
 50µ" MIN. NICKEL UNDERPLATED OVERALL
 SHELL : 100µ" MIN NICKEL PLATING
 SCREW : 50µ" MIN. NICKEL PLATING.
 BOARD LOCK : 50µ" MIN. NICKEL PLATING.
- 3 CHARACTERISTICS
 CURRENT RATING : 3A
 INSULATION RESISTANCE : 1000MOHMS MIN, 500VDC FOR 2MINS.
 TEMPERATURE RATING : -55DEGC ~ +105DEGC
 VOLTAGE RATING : 250VDC

4 OBSOLETE PARTS: OBSOLETE CIS STREAMLINING PER D.RENAUD/D.SINISI.



RECOMMENDED PCB LAYOUT(TOP VIEW)
 (PCBTOLERANCE : ±0.05)

OBSOLETE	9W D PLG WITH B/L & M3 S/LOCK 15µ" GOLD	4-1634218-2
SUPERSEDED BY 2301826-2	9W D PLG WITH B/L & 4-40 S/LOCK 15µ" GOLD	3-1634218-2
4 OBSOLETE	9W D PLG WITH B/L & M3 INSERTS 15µ" GOLD	2-1634218-2
SUPERSEDED BY 2301826-1	9W D PLG WITH B/L & 4-40 INSERTS 15µ" GOLD	1-1634218-2
	DESCRIPTION	PART No.

THIS DRAWING IS A CONTROLLED DOCUMENT.		DWN	J.SANDWELL	10APR03	STE TE Connectivity		
DIMENSIONS: mm		CHK	R.DYER	10APR03			
TOLERANCES UNLESS OTHERWISE SPECIFIED:		APVD	F.WHEELER-KING	10APR03	NAME		
0 PLC	± -	PRODUCT SPEC		D-SUB HD20, VERTICAL, 9P PLUG CONNECTOR			
1 PLC	± 0.25	APPLICATION SPEC		-			
2 PLC	± 0.15	SIZE	A3	CAGE CODE	00779	DRAWING NO	C-1634218
3 PLC	± -	WEIGHT		RESTRICTED TO			
4 PLC	± -	CUSTOMER DRAWING		SCALE		2:1	
ANGLES	± -			SHEET		1 OF 2	
FINISH	-			REV		L	

THIS DRAWING IS UNPUBLISHED.

RELEASED FOR PUBLICATION

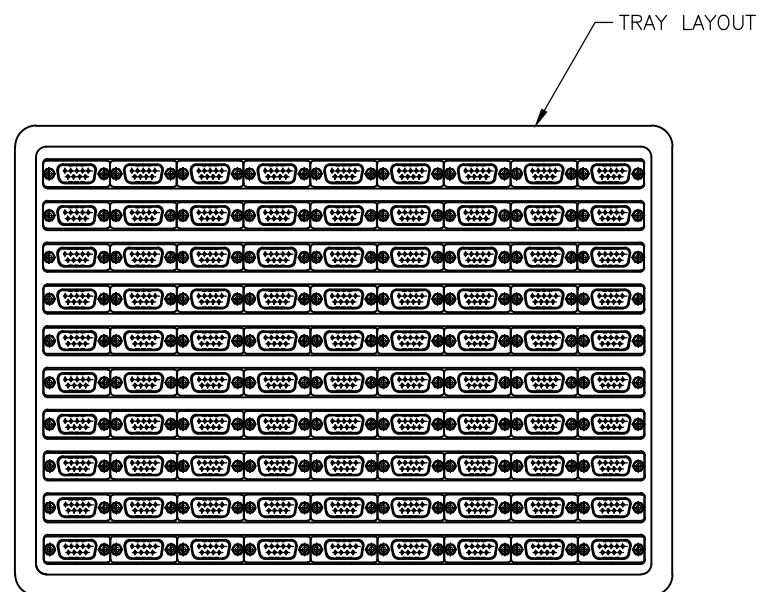
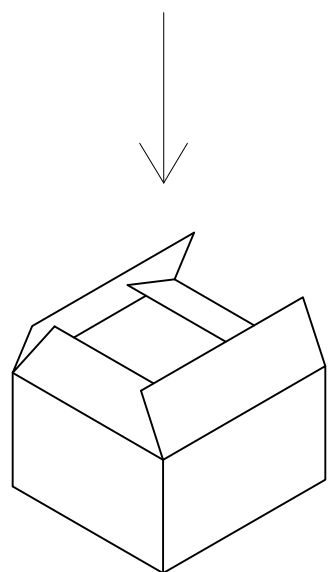
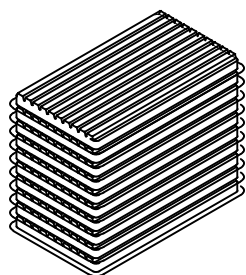
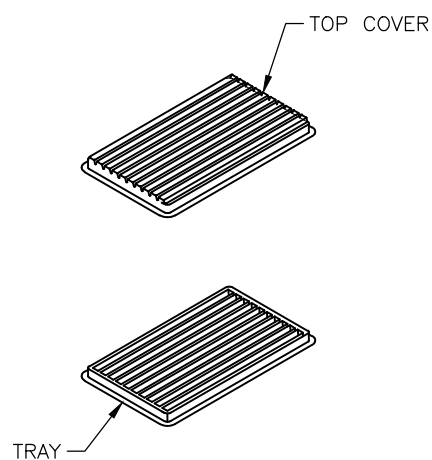
ALL RIGHTS RESERVED.

© COPYRIGHT - By -

LOC GP DIST 00

REVISIONS


P	LTR	DESCRIPTION	DATE	DWN	APVD
-	-	SEE SHEET 1	-	-	-



MATERIAL
 1 TRAY: PVC
 2 SHIPPING CARTON: CORRUGATED FIBERBOARD

DIMENSIONS
 1 TRAY: L=310, W=230, H=21
 2 SHIPPING CARTON: L=330, W=245, H=160

QUANTITY
 90 PCS/TRAY
 10 TRAY/SHIPPING CARTON

THIS DRAWING IS A CONTROLLED DOCUMENT.		DWN J.SANDWELL 10APR03	 TE Connectivity			
DIMENSIONS: mm		CHK R.DYER 10APR03				
TOLERANCES UNLESS OTHERWISE SPECIFIED:		APVD F.WHEELER-KING 10APR03	NAME D-SUB HD20, VERTICAL, 9P PLUG CONNECTOR			
0 PLC ± -		PRODUCT SPEC -	APPLICATION SPEC -			
1 PLC ± 0.25		WEIGHT -	SIZE A3	CAGE CODE 00779	DRAWING NO C-1634218	RESTRICTED TO -
2 PLC ± 0.15		CUSTOMER DRAWING				
3 PLC ± -		SCALE 2:1				
4 PLC ± -		SHEET 2 OF 2				
ANGLES ± -		REV L				
FINISH -						