

+5V Powered RS-232 Transmitters/Receivers

The HIN230-HIN241 family of RS-232 transmitters/receivers interface circuits meet all EIA RS-232E and V.28 specifications, and are particularly suited for those applications where $\pm 12V$ is not available. They require a single +5V power supply (except HIN231 and HIN239) and features onboard charge pump voltage converters which generate +10V and -10V supplies from the 5V supply. The HIN233 and HIN235 require no external capacitors and are ideally suited for applications where circuit board space is critical. The family of devices offer a wide variety of RS-232 transmitter/receiver combinations to accommodate various applications (see Selection Table).

The drivers feature true TTL/CMOS input compatibility, slew-rate-limited output, and 300 Ω power-off source impedance. The receivers can handle up to $\pm 30V$, and have a 3k Ω to 7k Ω input impedance. The receivers also feature hysteresis to greatly improve noise rejection.

Features

- Meets All RS-232E and V.28 Specifications
- Requires Only Single +5V Power Supply
 - (+5V and +12V - HIN231 and HIN239)
- HIN233 and HIN235 Require No External Capacitors
- Onboard Voltage Doubler/Inverter
- Low Power Consumption
- Low Power Shutdown Function
- Three-State TTL/CMOS Receiver Outputs
- Multiple Drivers
 - 10V Output Swing for +5V Input
 - 300 Ω Power-Off Source Impedance
 - Output Current Limiting
 - TTL/CMOS Compatible
 - 30V/ms Maximum Slew Rate
- Multiple Receivers
 - 30V Input Voltage Range
 - 3k Ω to 7k Ω Input Impedance
 - 0.5V Hysteresis to Improve Noise Rejection

Applications

- Any System Requiring RS-232 Communications Port
 - Computer - Portable, Mainframe, Laptop
 - Peripheral - Printers and Terminals
 - Instrumentation
 - Modems

Selection Table

PART NUMBER	POWER SUPPLY VOLTAGE	NUMBER OF RS-232 DRIVERS	NUMBER OF RS-232 RECEIVERS	EXTERNAL COMPONENTS	LOW POWER SHUTDOWN/TTL THREE-STATE	NUMBER OF LEADS
HIN230	+5V	5	0	4 Capacitors	YES/NO	20
HIN231	+5V and +7.5V to 13.2V	2	2	2 Capacitors	NO/NO	16
HIN232	+5V	2	2	4 Capacitors	NO/NO	16
HIN233	+5V	2	2	None	NO/NO	20
HIN234	+5V	4	0	4 Capacitors	NO/NO	16
HIN235	+5V	5	5	None	YES/YES	24
HIN236	+5V	4	3	4 Capacitors	YES/YES	24
HIN237	+5V	5	3	4 Capacitors	NO/NO	24
HIN238	+5V	4	4	4 Capacitors	NO/NO	24
HIN239	+5V and +7.5V to 13.2V	3	5	2 Capacitors	NO/YES	24
HIN240	+5V	5	5	4 Capacitors	YES/YES	44
HIN241	+5V	4	5	4 Capacitors	YES/YES	28

HIN230 thru HIN241

Ordering Information

PART NUMBER	TEMP. RANGE (°C)	PACKAGE	PKG. NO.
HIN230CB	0 to 70	20 Ld SOIC	M20.3
HIN230IB	-40 to 85	20 Ld SOIC	M20.3
HIN231CB	0 to 70	16 Ld SOIC	M16.3
HIN231IB	-40 to 85	16 Ld SOIC	M16.3
HIN232CP	0 to 70	16 Ld PDIP	E16.3
HIN232CB	0 to 70	16 Ld SOIC	M16.3
HIN232IP	-40 to 85	16 Ld PDIP	E16.3
HIN232IB	-40 to 85	16 Ld SOIC	M16.3
HIN233CP	0 to 70	20 Ld PDIP	E20.3
HIN234CB	0 to 70	16 Ld SOIC	M16.3
HIN234IB	-40 to 85	16 Ld SOIC	M16.3
HIN235CP	0 to 70	24 Ld PDIP	E24.3
HIN236CP	0 to 70	24 Ld PDIP	E24.3
HIN236CB	0 to 70	24 Ld SOIC	M24.3
HIN236IP	-40 to 85	24 Ld PDIP	E24.3
HIN236IB	-40 to 85	24 Ld SOIC	M24.3

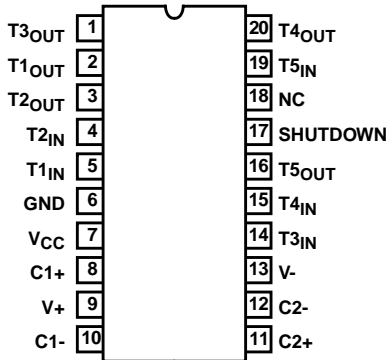
PART NUMBER	TEMP. RANGE (°C)	PACKAGE	PKG. NO.
HIN237CP	0 to 70	24 Ld PDIP	E24.3
HIN237CB	0 to 70	24 Ld SOIC	M24.3
HIN237IP	-40 to 85	24 Ld PDIP	E24.3
HIN237IB	-40 to 85	24 Ld SOIC	M24.3
HIN238CP	0 to 70	24 Ld PDIP	E24.3
HIN238CB	0 to 70	24 Ld SOIC	M24.3
HIN238IP	-40 to 85	24 Ld PDIP	E24.3
HIN238IB	-40 to 85	24 Ld SOIC	M24.3
HIN239CB	0 to 70	24 Ld SOIC	M24.3
HIN239IB	-40 to 85	24 Ld SOIC	M24.3
HIN240CN	0 to 70	44 Ld MQFP	Q44.10X10
HIN240IN	-40 to 85	44 Ld MQFP	Q44.10X10
HIN241CB	0 to 70	28 Ld SOIC	M28.3
HIN241IB	-40 to 85	28 Ld SOIC	M28.3
HIN241CA	0 to 70	28 Ld SSOP	M28.209
HIN241IA	-40 to 85	28 Ld SSOP	M28.209

Pin Descriptions

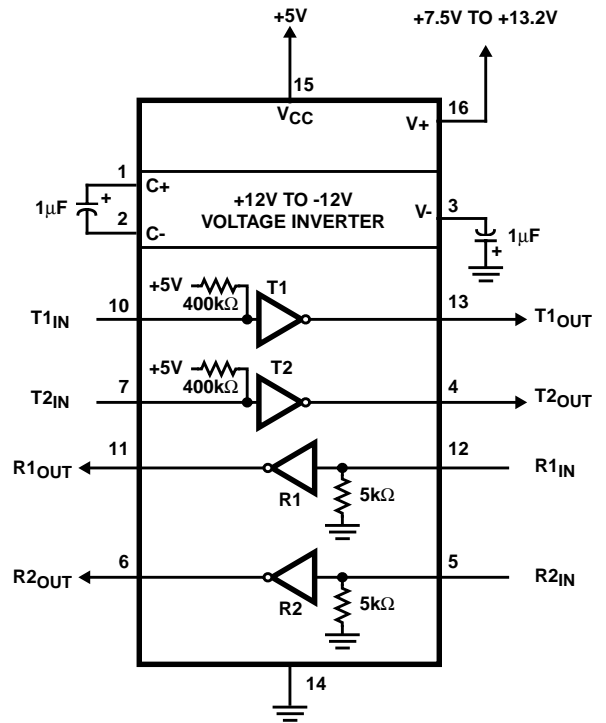
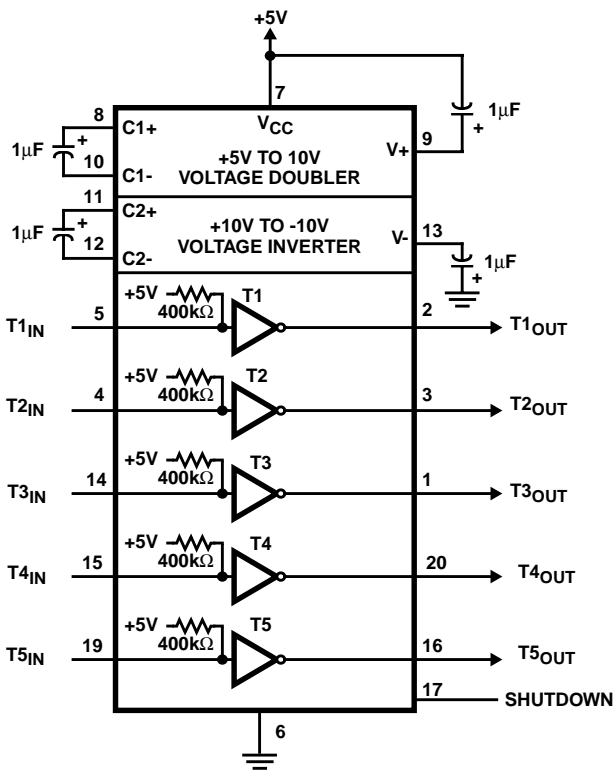
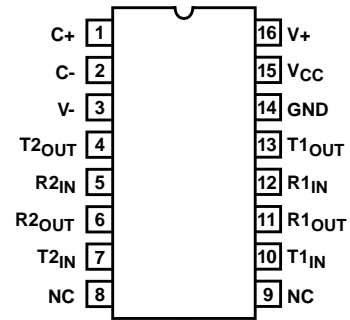
PIN	FUNCTION
V _{CC}	Power Supply Input 5V ±10%. HIN233 and HIN235 5V ±5%.
V+	Internally generated positive supply (+10V nominal), HIN231 and HIN239 requires +7.5V to +13.2V.
V-	Internally generated negative supply (-10V nominal).
GND	Ground lead. Connect to 0V.
C1+	External capacitor (+ terminal) is connected to this lead.
C1-	External capacitor (- terminal) is connected to this lead.
C2+	External capacitor (+ terminal) is connected to this lead.
C2-	External capacitor (- terminal) is connected to this lead.
T _{IN}	Transmitter Inputs. These leads accept TTL/CMOS levels. An internal 400kΩ pull-up resistor to V _{CC} is connected to each lead.
T _{OUT}	Transmitter Outputs. These are RS-232 levels (nominally ±10V).
R _{IN}	Receiver Inputs. These inputs accept RS-232 input levels. An internal 5kΩ pull-down resistor to GND is connected to each input.
R _{OUT}	Receiver Outputs. These are TTL/CMOS levels.
EN	Enable input. This is an active low input which enables the receiver outputs. With EN = 5V, the outputs are placed in a high impedance state.
SD	Shutdown Input. With SD = 5V, the charge pump is disabled, the receiver outputs are in a high impedance state and the transmitters are shut off.
NC	No Connect. No connections are made to these leads.

Pinouts

HIN230 (SOIC)
TOP VIEW

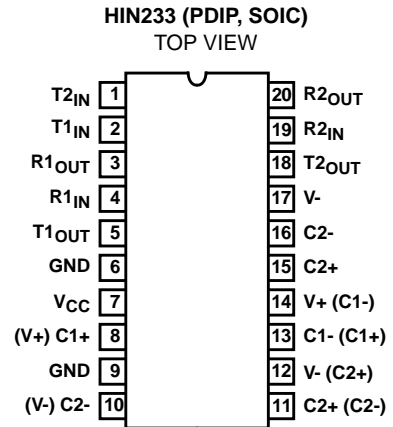
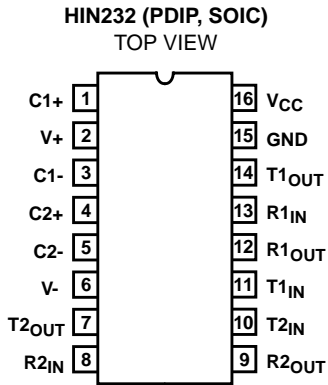


HIN231 (SOIC)
TOP VIEW

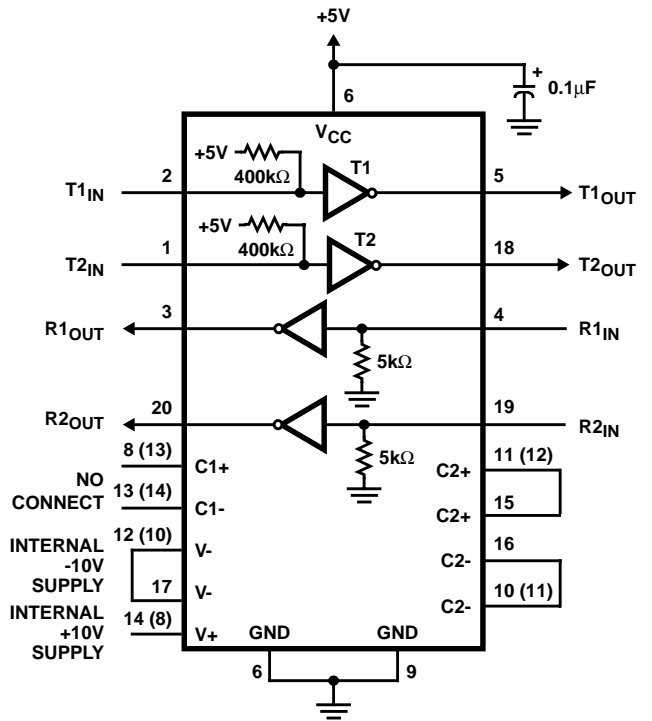
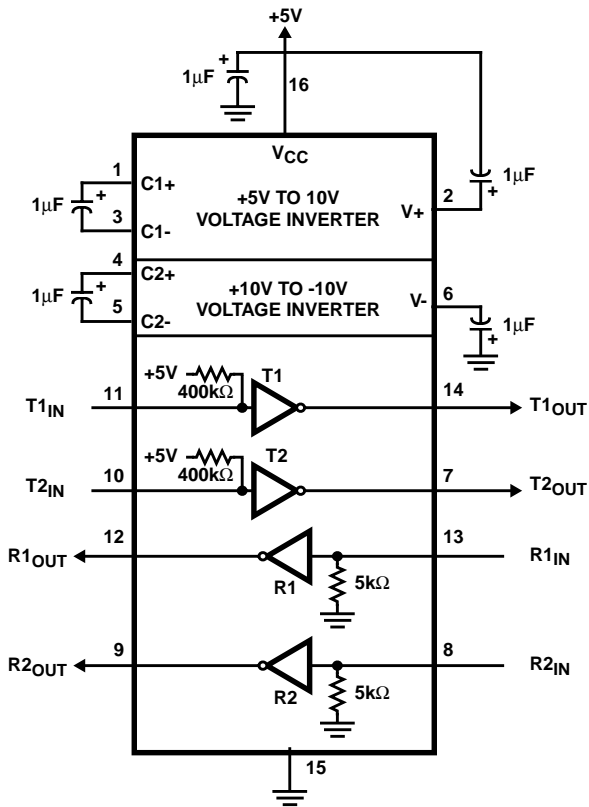


HIN230 thru HIN241

Pinouts (Continued)



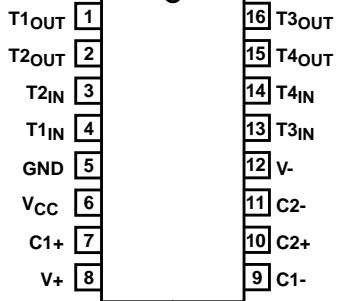
NOTE: Pin numbers in parentheses are for SOIC Package.



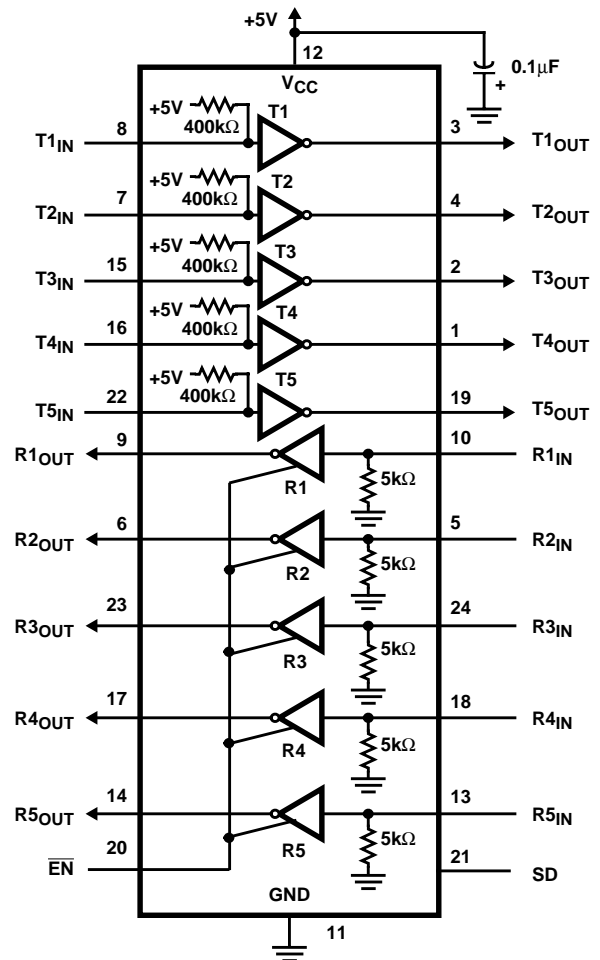
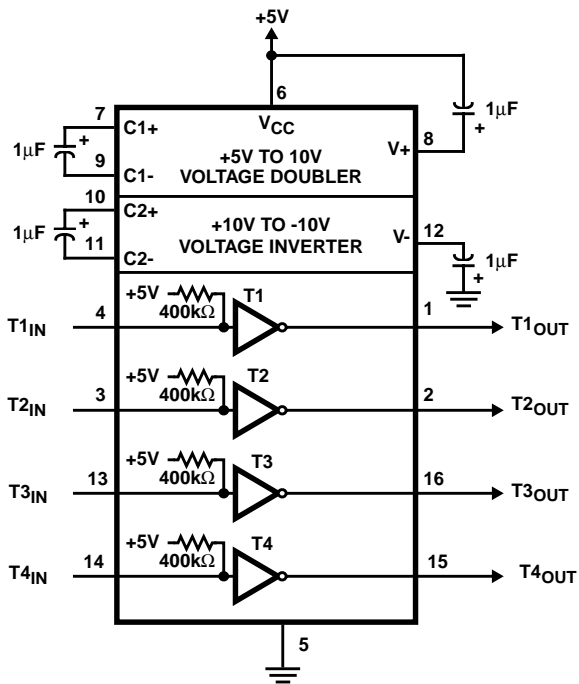
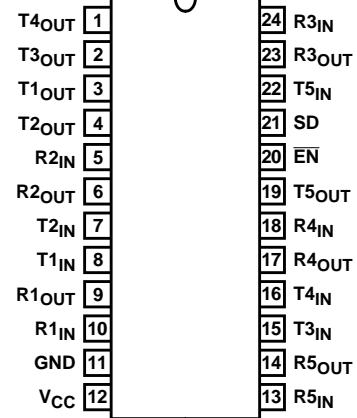
HIN230 thru HIN241

Pinouts (Continued)

HIN234 (SOIC)
TOP VIEW

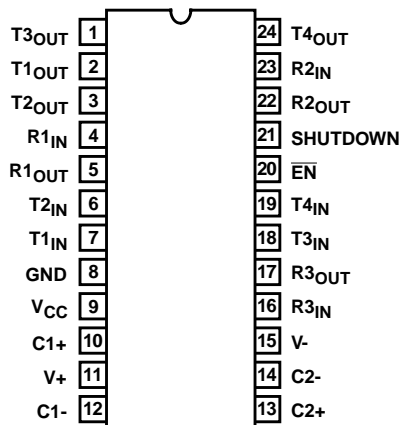


HIN235 (PDIP)
TOP VIEW

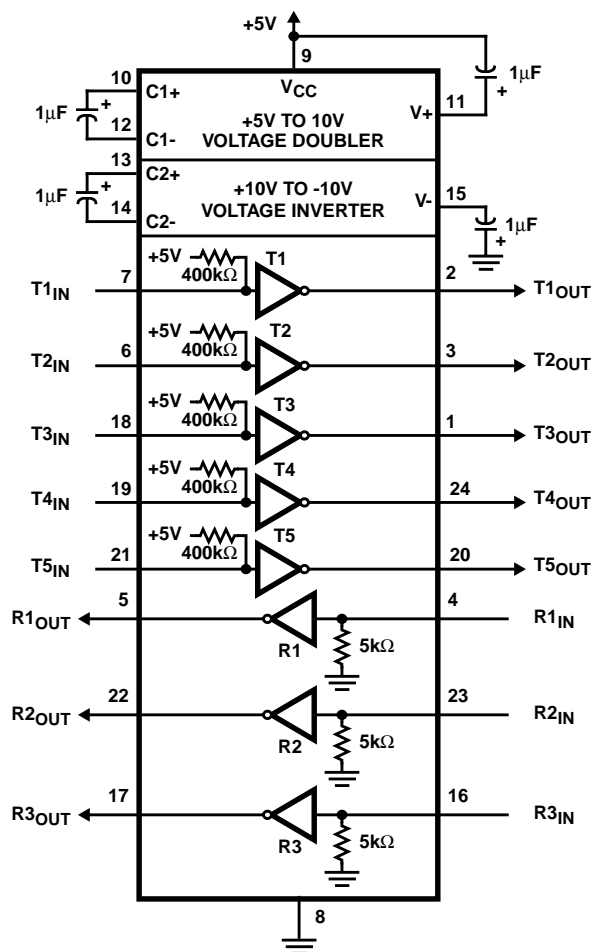
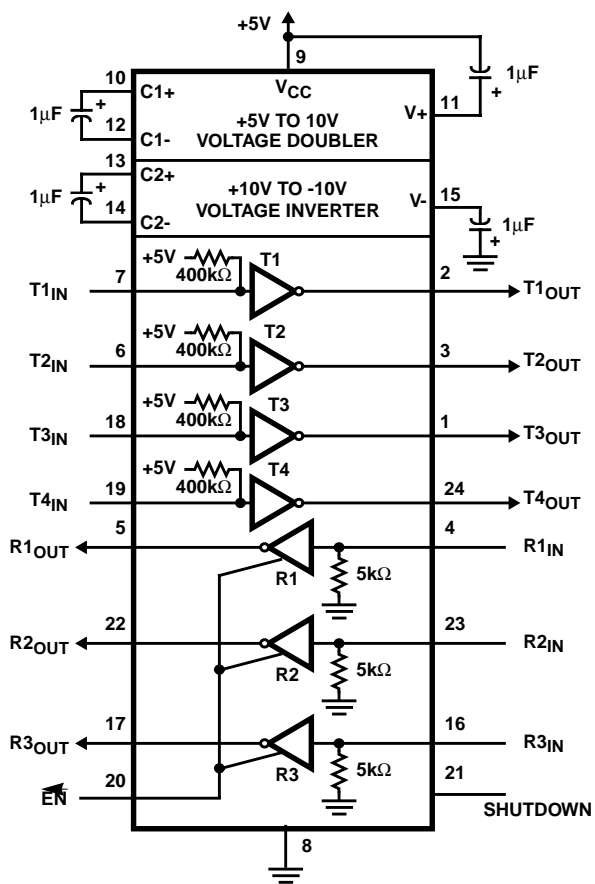
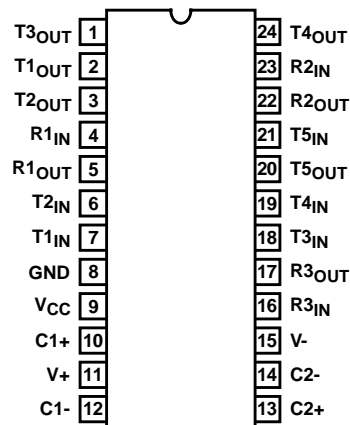


Pinouts (Continued)

HIN236 (PDIP, SOIC)
TOP VIEW



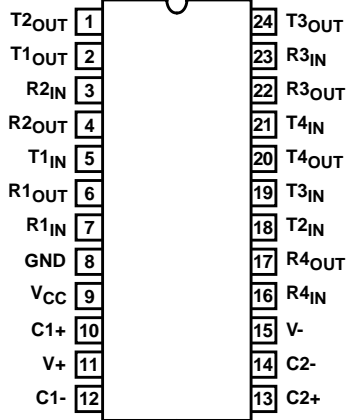
HIN237 (PDIP, SOIC)
TOP VIEW



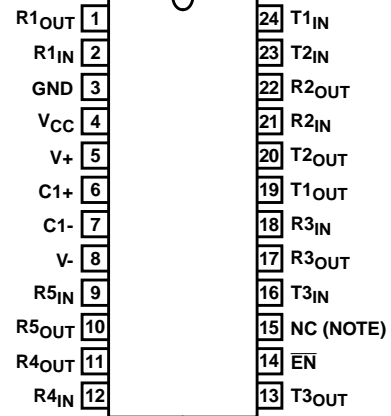
HIN230 thru HIN241

Pinouts (Continued)

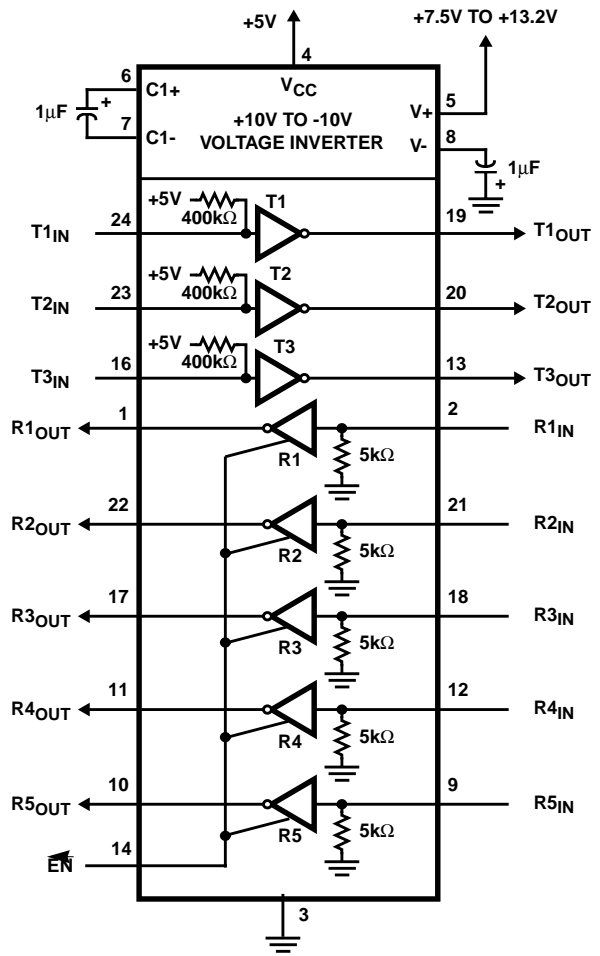
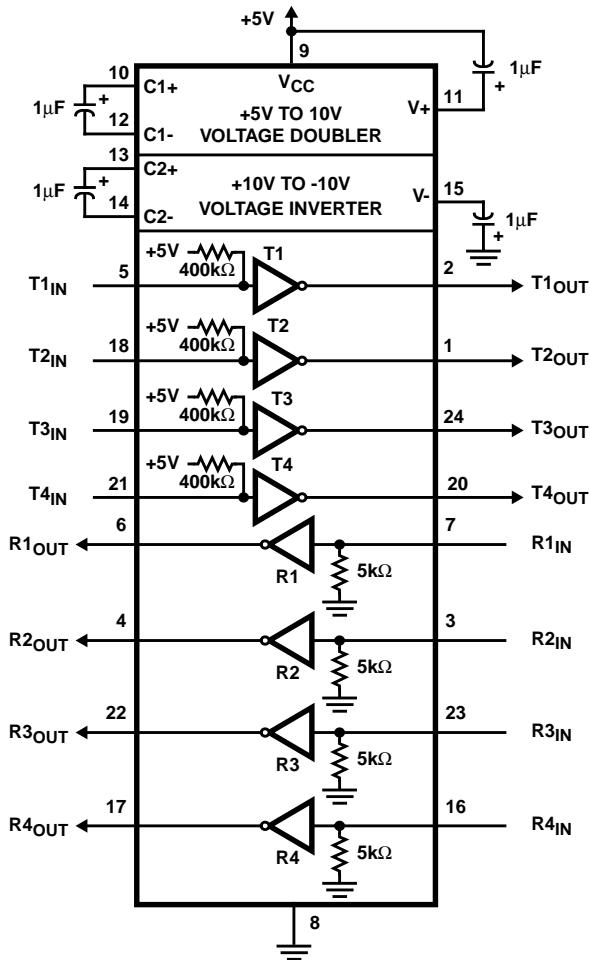
HIN238 (PDIP, SOIC)
TOP VIEW



HIN239 (SOIC)
TOP VIEW

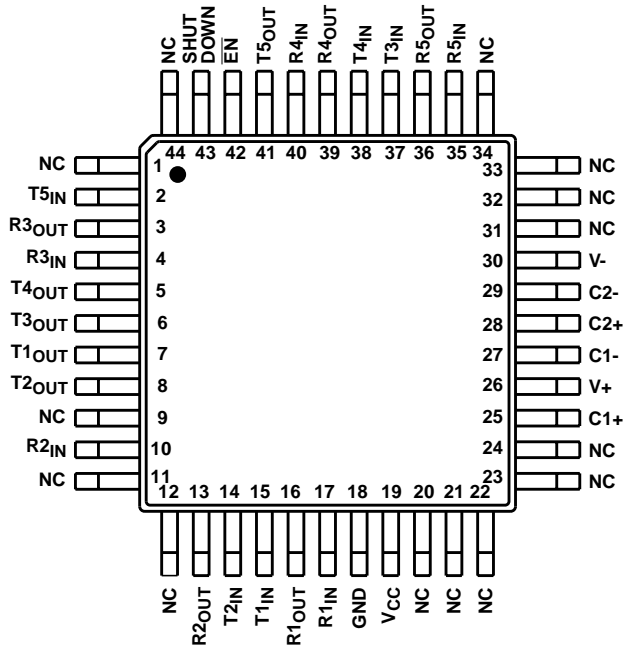


NOTE: No Connect

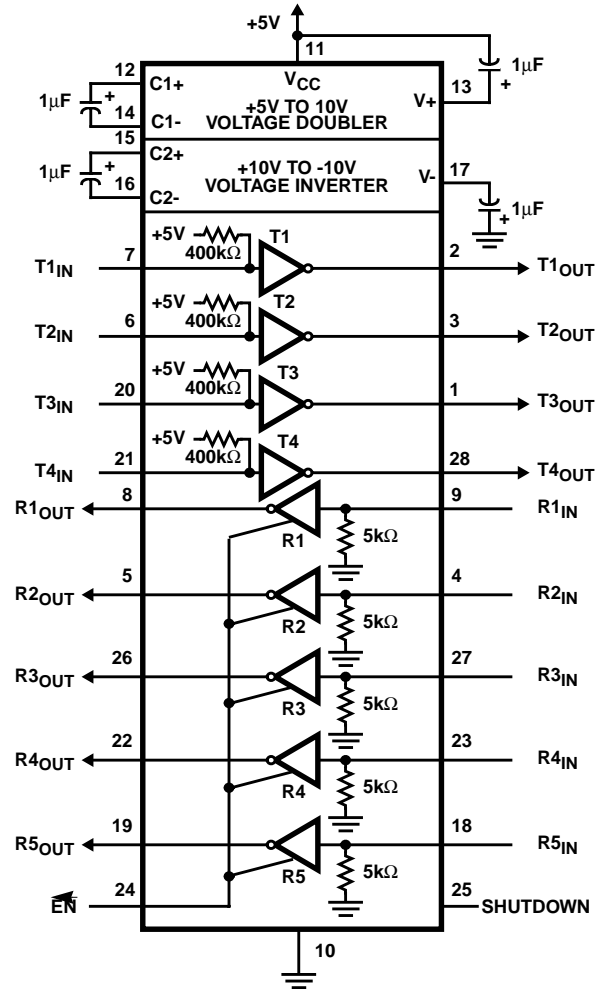
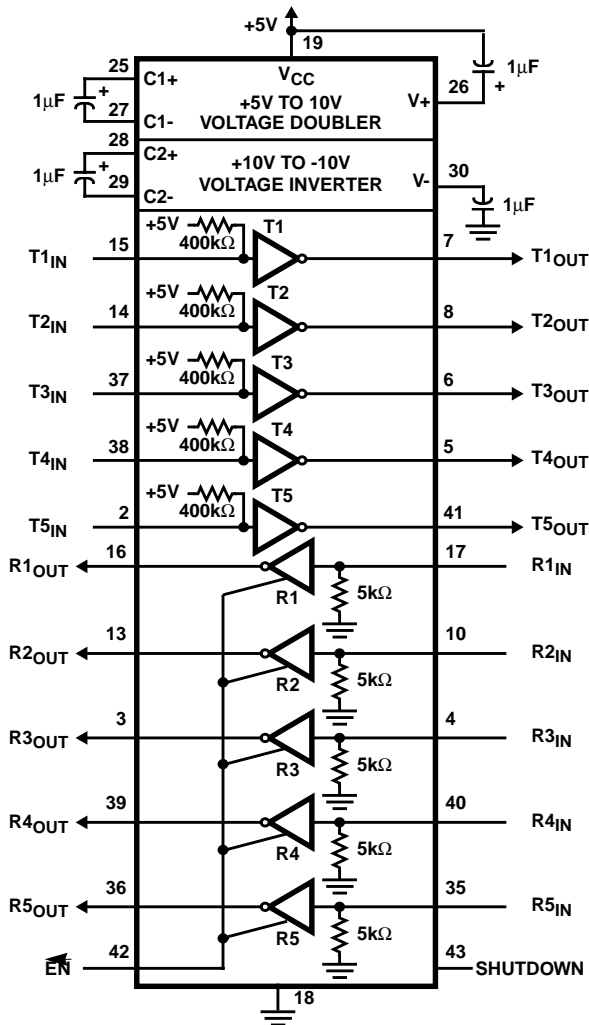
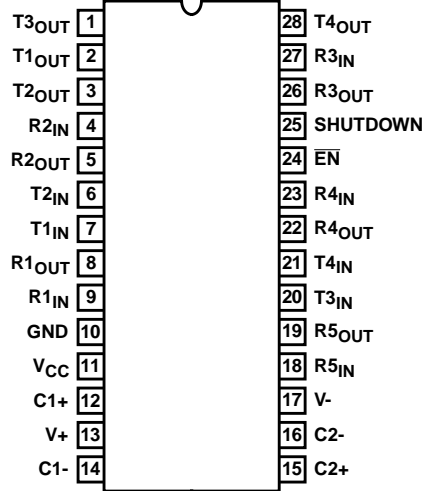


Pinouts (Continued)

HIN240 (MQFP)



HIN241 (SOIC, SSOP)
TOP VIEW



HIN230 thru HIN241

Absolute Maximum Ratings

V _{CC} to Ground	(GND -0.3V) < V _{CC} < 6V
V+ to Ground	(V _{CC} -0.3V) < V+ < 12V
V- to Ground	-12V < V- < (GND +0.3V)
Input Voltages	
T _{IN}	(V- -0.3V) < V _{IN} < (V+ +0.3V)
R _{IN}	±30V
Output Voltages	
T _{OUT}	(V- -0.3V) < V _{TXOUT} < (V+ +0.3V)
R _{OUT}	(GND -0.3V) < V _{RXOUT} < (V+ +0.3V)
Short Circuit Duration	
T _{OUT}	Continuous
R _{OUT}	Continuous

Operating Conditions

Temperature Range	
HIN-XXXCX	0°C to 70°C
HIN-XXXIX	-40°C to 85°C

Thermal Information

Thermal Resistance (Typical, Note 1)	θ _{JA} (°C/W)	θ _{JC} (°C/W)
16 Ld PDIP Package	90	N/A
24 Ld PDIP Package	75	N/A
16 Ld SOIC (W) Package	100	N/A
24 Ld SOIC Package	80	N/A
28 Ld SOIC Package	75	N/A
28 Ld SSOP Package	100	N/A
44 Ld MQFP Package	80	N/A
16 Ld CERDIP Package	80	18
Maximum Junction Temperature (Hermetic Package)	175°C	
Maximum Junction Temperature (Plastic Package)	150°C	
Maximum Storage Temperature Range	-65°C to 150°C	
Maximum Lead Temperature (Soldering 10s)	300°C	
(SOIC, SSOP, MQFP - Lead Tips Only)		

CAUTION: Stresses above those listed in "Absolute Maximum Ratings" may cause permanent damage to the device. This is a stress only rating and operation of the device at these or any other conditions above those indicated in the operational sections of this specification is not implied.

NOTE:

1. θ_{JA} is measured with the component mounted on an evaluation PC board in free air.

Electrical Specifications

Test Conditions: V_{CC} = +5V ±10%, (V_{CC} = +5V ±5% HIN233 and HIN235)
T_A = Operating Temperature Range

PARAMETER	TEST CONDITIONS	MIN	TYP	MAX	UNITS
Output Voltage Swing, T _{OUT}	Transmitter Outputs, 3kΩ to Ground	±5	±9	±10	V
Power Supply Current, I _{CC}	No Load, T _A = 25°C, HIN232-233	-	5	10	mA
	HIN230, HIN234-238, HIN240-241	-	7	15	mA
	HIN231, HIN239	-	0.4	1	mA
V+ Power Supply Current, I _{CC}	HIN231	-	1.8	5	mA
	HIN239	-	5.0	15	mA
Shutdown Supply Current, I _{CC} (SD)		-	1	10	μA
Input Logic Low, T _{IN} , \overline{EN} , V _{IL}	T _{IN} , \overline{EN} , Shutdown	-	-	0.8	V
Input Logic High, V _{IH}	T _{IN}	2.0	-	-	V
	\overline{EN} , Shutdown	2.4	-	-	V
Logic Pullup Current, I _P	T _{IN} = 0V	-	15	200	μA
RS-232 Input Voltage Range, V _{IN}		-30	-	+30	V
Receiver Input Impedance, R _{IN}	V _{IN} = ±3V	3.0	5.0	7.0	kΩ
Receiver Input Low Threshold, V _{IN} (H-L)	V _{CC} = 5V, T _A = 25°C	0.8	1.2	-	V
Receiver Input High Threshold, V _{IN} (L-H)	V _{CC} = 5V, T _A = 25°C	-	1.7	2.4	V
Receiver Input Hysteresis, V _{HYST}		0.2	0.5	1.0	V
TTL/CMOS Receiver Output Voltage Low, V _{OL}	I _{OUT} = 1.6mA (HIN231-HIN233 I _{OUT} = 3.2mA)	-	0.1	0.4	V
TTL/CMOS Receiver Output Voltage High, V _{OH}	I _{OUT} = -1.0mA	3.5	4.6	-	V
Output Enable Time, t _{EN}	HIN235, 236, 239, 240, 241	-	400	-	ns
Output Disable Time, t _{DIS}	HIN235, 236, 239, 240, 241	-	250	-	ns
Propagation Delay, t _{PD}	RS-232 to TTL	-	0.5	-	μs
Instantaneous Slew Rate, SR	C _L = 10pF, R _L = 3kΩ, T _A = 25°C (Note 2)	-	-	30	V/μs
Transition Region Slew Rate, SR _T	R _L = 3kΩ, C _L = 2500pF Measured from +3V to -3V or -3V to +3V	-	3	-	V/μs
Output Resistance, R _{OUT}	V _{CC} = V+ = V- = 0V, V _{OUT} = ±2V	300	-	-	Ω
RS-232 Output Short Circuit Current, I _{SC}	T _{OUT} shorted to GND	-	±10	-	mA

NOTE:

2. Guaranteed by design.

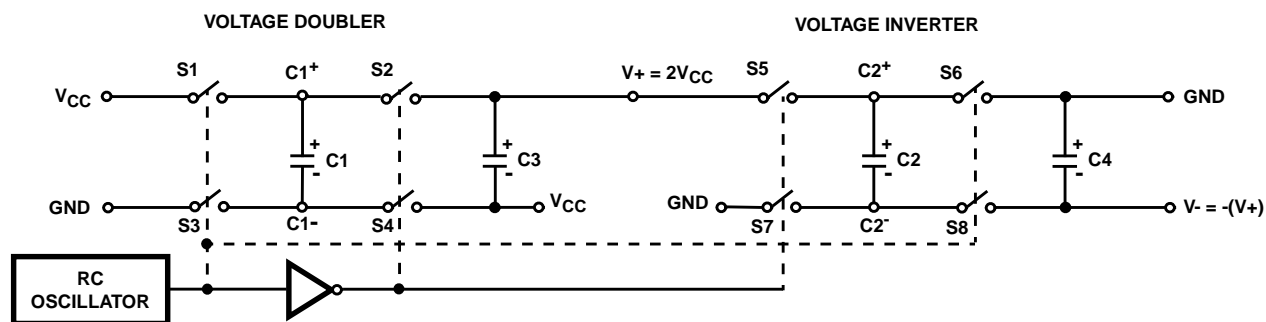


FIGURE 1. CHARGE PUMP

Detailed Description

The HIN230 thru HIN241 family of RS-232 transmitters/receivers are powered by a single +5V power supply (except HIN-231 and HIN239), feature low power consumption, and meet all EIA RS-232C and V.28 specifications. The circuit is divided into three sections: the charge pump, transmitter, and receiver.

Charge Pump

An equivalent circuit of the charge pump is illustrated in Figure 1. The charge pump contains two sections: the voltage doubler and the voltage inverter. Each section is driven by a two phase, internally generated clock to generate +10V and -10V. The nominal clock frequency is 16kHz. During phase one of the clock, capacitor C1 is charged to V_{CC} . During phase two, the voltage on C1 is added to V_{CC} , producing a signal across C3 equal to twice V_{CC} . During phase one, C2 is also charged to $2V_{CC}$, and then during phase two, it is inverted with respect to ground to produce a signal across C4 equal to $-2V_{CC}$. The charge pump accepts input voltages up to 5.5V. The output impedance of the voltage doubler section ($V+$) is approximately 200Ω , and the output impedance of the voltage inverter section ($V-$) is approximately 450Ω . A typical application uses $1\mu\text{F}$ capacitors for C1-C4, however, the value is not critical. Increasing the values of C1 and C2 will lower the output impedance of the voltage doubler and inverter, increasing the values of the reservoir capacitors, C3 and C4, lowers the ripple on the $V+$ and $V-$ supplies.

During shutdown mode (HIN230, 236, 240 and 241), SHUT-DOWN control line set to logic "1", the charge pump is turned off, $V+$ is pulled down to V_{CC} , $V-$ is pulled up to GND, and the supply current is reduced to less than $10\mu\text{A}$. The transmitter outputs are disabled and the receiver outputs are placed in the high impedance state.

Transmitters

The transmitters are TTL/CMOS compatible inverters which translate the inputs to RS-232 outputs. The input logic threshold is about 26% of V_{CC} , or 1.3V for $V_{CC} = 5\text{V}$. A logic 1 at the input results in a voltage of between -5V and $V-$ at the output, and a logic 0 results in a voltage between +5V and ($V+ - 0.6\text{V}$). Each transmitter input has an internal $400\text{k}\Omega$ pullup resistor so any unused input can be left unconnected and its output remains in its low state. The output voltage swing meets the RS-232C specifications of $\pm 5\text{V}$ minimum with the worst case conditions of: all transmitters driving $3\text{k}\Omega$ minimum load impedance, $V_{CC} = 4.5\text{V}$, and maximum allowable operating temperature. The transmitters have an internally limited output

slew rate which is less than $30\text{V}/\mu\text{s}$. The outputs are short circuit protected and can be shorted to ground indefinitely. The powered down output impedance is a minimum of 300Ω with $\pm 2\text{V}$ applied to the outputs and $V_{CC} = 0\text{V}$.

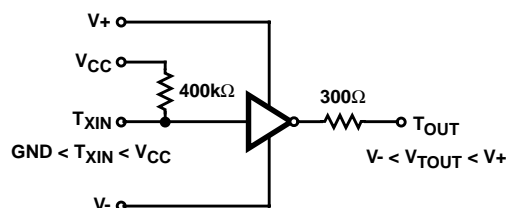


FIGURE 2. TRANSMITTER

Receivers

The receiver inputs accept up to $\pm 30\text{V}$ while presenting the required $3\text{k}\Omega$ to $7\text{k}\Omega$ input impedance even if the power is off ($V_{CC} = 0\text{V}$). The receivers have a typical input threshold of 1.3V which is within the $\pm 3\text{V}$ limits, known as the transition region, of the RS-232 specifications. The receiver output is 0V to V_{CC} . The output will be low whenever the input is greater than 2.4V and high whenever the input is floating or driven between +0.8V and -30V. The receivers feature 0.5V hysteresis to improve noise rejection. The receiver Enable line $\overline{\text{EN}}$, when set to logic "1", (HIN236, 239, 240, and 241) disables the receiver outputs, placing them in the high impedance mode. The receiver outputs are also placed in the high impedance state when in shutdown mode.

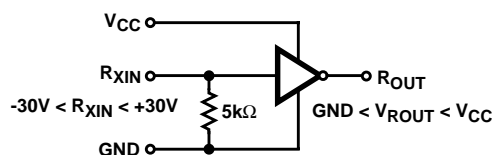


FIGURE 3. RECEIVER

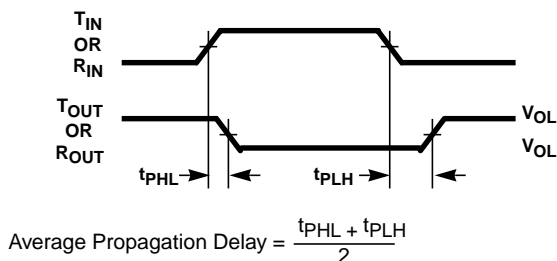


FIGURE 4. PROPAGATION DELAY DEFINITION

Typical Performance Curves

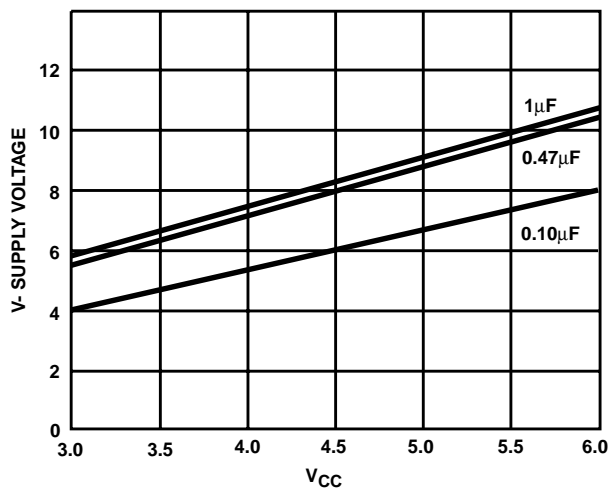


FIGURE 5. V- SUPPLY VOLTAGE vs V_{CC}, VARYING CAPACITORS

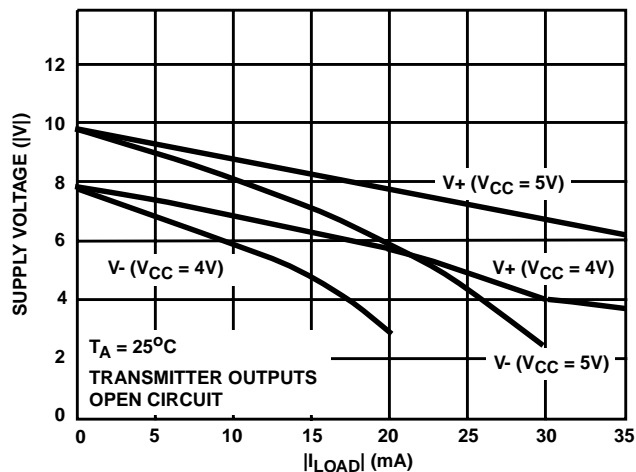


FIGURE 6. V₊, V₋ OUTPUT VOLTAGE vs LOAD

Test Circuits (HIN232)

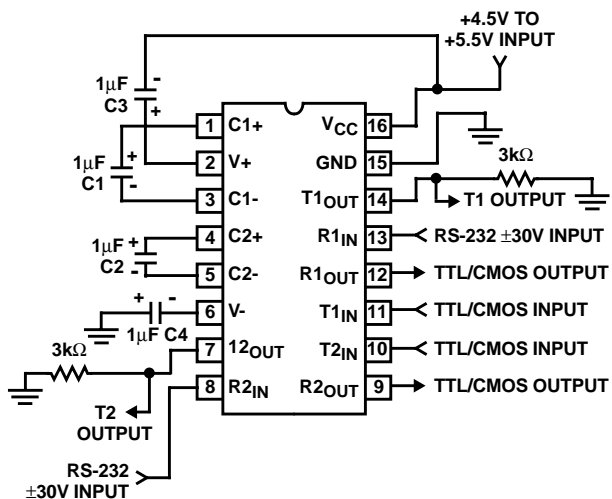


FIGURE 7. GENERAL TEST CIRCUIT

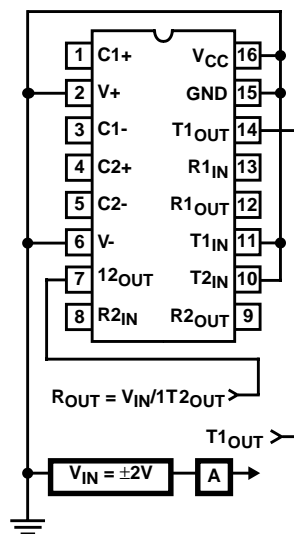


FIGURE 8. POWER-OFF SOURCE RESISTANCE CONFIGURATION

Applications

The HINXXX may be used for all RS-232 data terminal and communication links. It is particularly useful in applications where $\pm 12V$ power supplies are not available for conventional RS-232 interface circuits. The applications presented represent typical interface configurations.

A simple duplex RS-232 port with CTS/RTS handshaking is illustrated in Figure 9. Fixed output signals such as DTR (data terminal ready) and DSRS (data signaling rate select) is generated by driving them through a 5k Ω resistor connected to V+.

In applications requiring four RS-232 inputs and outputs (Figure 10), note that each circuit requires two charge pump capacitors (C1 and C2) but can share common reservoir capacitors (C3 and C4). The benefit of sharing common reservoir capacitors is the elimination of two capacitors and the reduction of the charge pump source impedance which effectively increases the output swing of the transmitters.

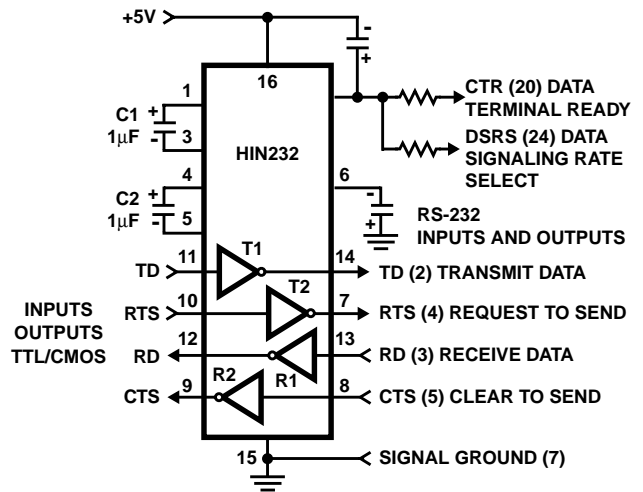


FIGURE 9. SIMPLE DUPLEX RS-232 PORT WITH CTS/RTS HANDSHAKING

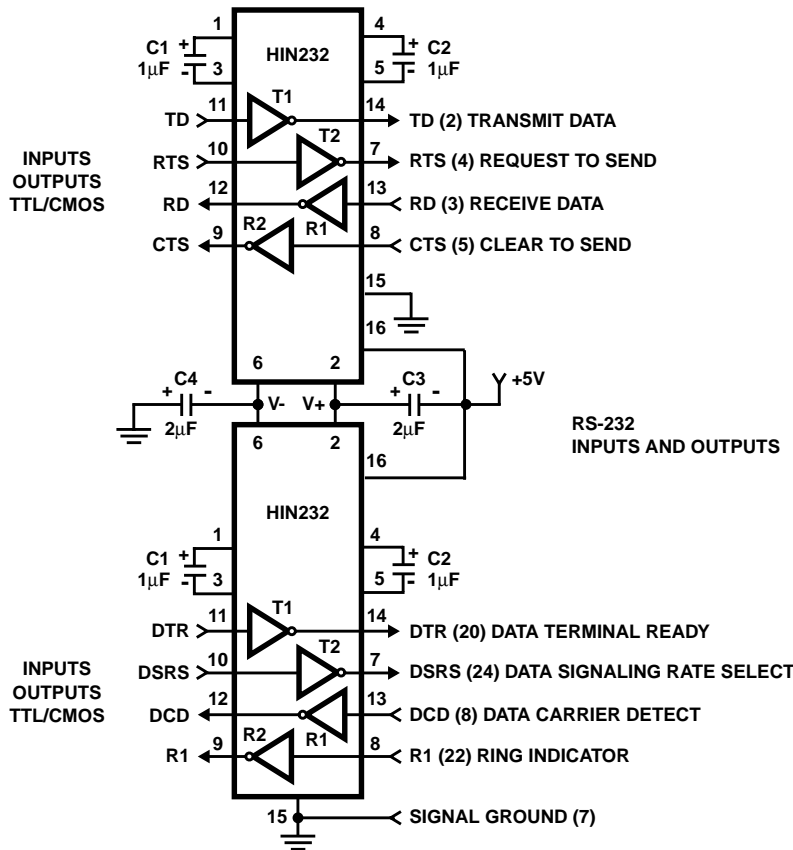


FIGURE 10. COMBINING TWO HIN232s FOR 4 PAIRS OF RS-232 INPUTS AND OUTPUTS

All Intersil semiconductor products are manufactured, assembled and tested under **ISO9000** quality systems certification.

Intersil semiconductor products are sold by description only. Intersil Corporation reserves the right to make changes in circuit design and/or specifications at any time without notice. Accordingly, the reader is cautioned to verify that data sheets are current before placing orders. Information furnished by Intersil is believed to be accurate and reliable. However, no responsibility is assumed by Intersil or its subsidiaries for its use; nor for any infringements of patents or other rights of third parties which may result from its use. No license is granted by implication or otherwise under any patent or patent rights of Intersil or its subsidiaries.

For information regarding Intersil Corporation and its products, see web site <http://www.intersil.com>

HIN230 thru HIN241

Die Characteristics

DIE DIMENSIONS:

160 mils x 140 mils

METALLIZATION:

Type: Al
Thickness: $10\text{k}\text{\AA} \pm 1\text{k}\text{\AA}$

SUBSTRATE POTENTIAL

V+

PASSIVATION:

Type: Nitride over Silox
Nitride Thickness: $8\text{k}\text{\AA}$
Silox Thickness: $7\text{k}\text{\AA}$

TRANSISTOR COUNT:

238

PROCESS:

CMOS Metal Gate

Metallization Mask Layout

