

10 9 8 7 6 5 4 3 2 1

F

E

D

C

B

A

F

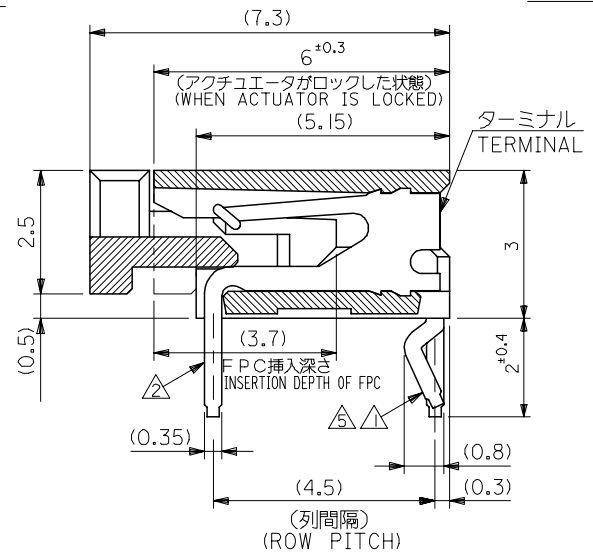
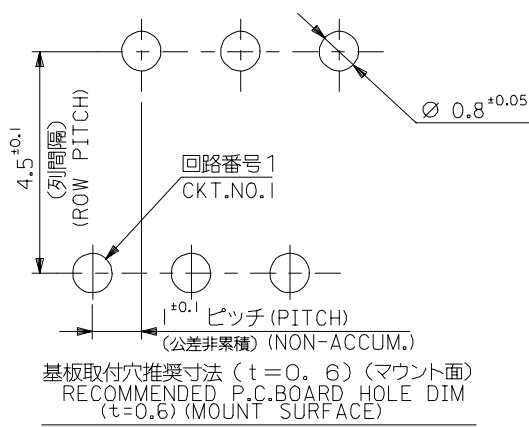
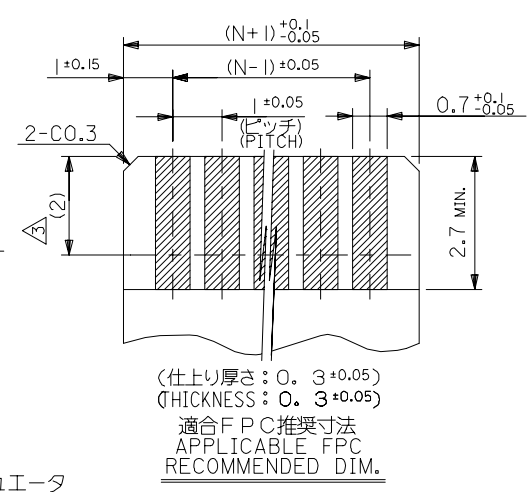
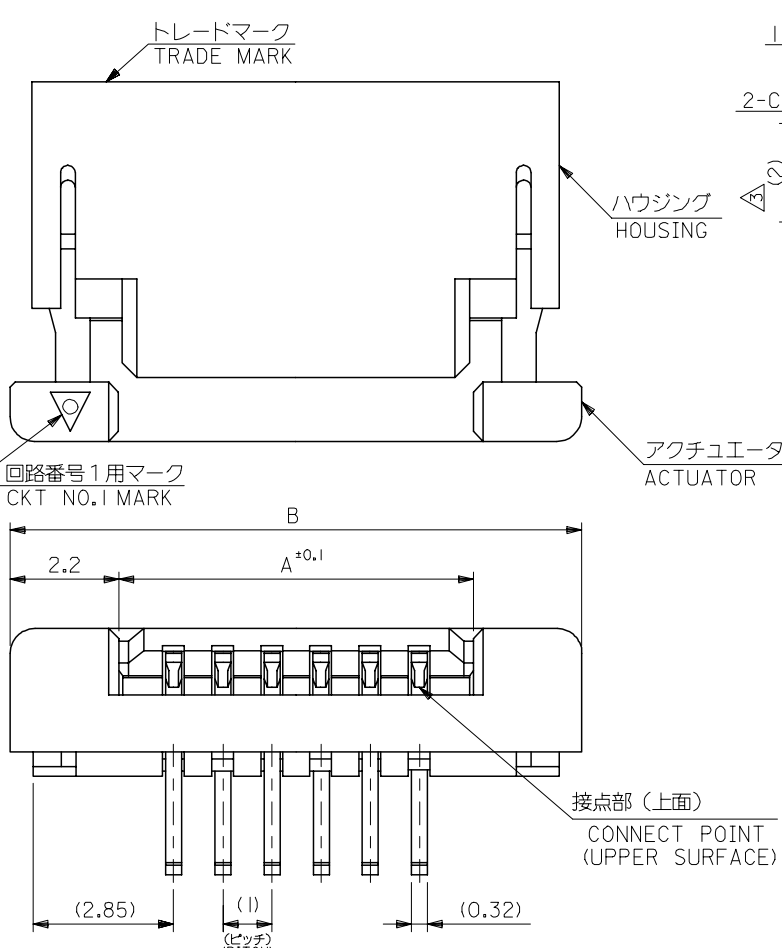
E

D

C

B

A



| | | | |
|------|------|--------------|------------|
| 35.6 | 31.2 | 52089-3019 | 30 |
| 34.6 | 30.2 | -2919 | 29 |
| 33.6 | 29.2 | -2819 | 28 |
| 32.6 | 28.2 | -2719 | 27 |
| 31.6 | 27.2 | -2619 | 26 |
| 30.6 | 26.2 | -2519 | 25 |
| 29.6 | 25.2 | -2419 | 24 |
| 28.6 | 24.2 | -2319 | 23 |
| 27.6 | 23.2 | -2219 | 22 |
| 26.6 | 22.2 | -2119 | 21 |
| 25.6 | 21.2 | -2019 | 20 |
| 24.6 | 20.2 | -1919 | 19 |
| 23.6 | 19.2 | -1819 | 18 |
| 22.6 | 18.2 | -1719 | 17 |
| 21.6 | 17.2 | -1619 | 16 |
| 20.6 | 16.2 | -1519 | 15 |
| 19.6 | 15.2 | -1419 | 14 |
| 18.6 | 14.2 | -1319 | 13 |
| 17.6 | 13.2 | -1219 | 12 |
| 16.6 | 12.2 | -1119 | 11 |
| 15.6 | 11.2 | -1019 | 10 |
| 14.6 | 10.2 | -0919 | 9 |
| 13.6 | 9.2 | -0819 | 8 |
| 12.6 | 8.2 | -0719 | 7 |
| 11.6 | 7.2 | -0619 | 6 |
| 10.6 | 6.2 | -0519 | 5 |
| 9.6 | 5.2 | 52089-0419 | 4 |
| B | A | MATERIAL NO. | 極数 CKT. |

- 注記 NOTES
- △ CKT. NO. 1 を基準に偶数番目のソルダーテール。
EVEN NUMBER SOLDER TAIL
 - △ CKT. NO. 1 を基準に奇数番目のソルダーテール。
ODD NUMBER SOLDER TAIL
 - △ 接点部までの嵌合長さ。
LENGTH TO CONTACT POINT.
 - 4. 使用材料 MATERIAL
ハウジング : 66ナイロン, UL94V-0
HOUSING : 66NYLON, UL94V-0
アクチュエータ : ポリエステル, UL94V-0
ACTUATOR : POLYESTER, UL94V-0
ターミナル : リン青銅, ニッケル下地 錫・ヒスマスメッキ
TERMINAL : PHOS-BRO. TIN-BISMUTM OVER NICKEL-PLATED
 - △ キンクはソルダーテール△の両端のみに適用。
KINK APPLIES BOTH SIDE △ TERMINALS ONLY
 - 6. 本製品は 52089-**10 の鉛フリー品である。
THIS PRODUCT IS LEAD FREE OF 52089-**10.

| | | | | | | | | |
|---|---------------------------------------|--|----------------------------|----------------------------|-------------------------------|------------------------|------------------------|--|
| REVISED EC NO: J2005-0258 DRWN: SASAMOR 2004/07/22 CHKDK: TOJO 2004/07/22 APPR: NUKITA 2004/07/28 | GENERAL TOLERANCES (UNLESS SPECIFIED) | | DIMENSION STYLE MM ONLY | | SCALE 10:1 | DESIGN UNITS METRIC | THIRD ANGLE PROJECTION | |
| | 10 UNDER | ±0.2 | DRAWN BY J. SASAMO | DATE 2004/7/22 | TITLE 1.0 FPC CONN ZIF R/A | | | |
| | 10 OVER 30 UNDER | ±0.25 | CHECKED BY K. TOJO | DATE 2004/7/22 | -LEAD FREE- | | | |
| | 30 OVER | ±0.3 | APPROVED BY N. UKITA | DATE 2004/7/22 | MOLEX INCORPORATED | | | |
| ANGULAR ±3 ° | | DRAFT WHERE APPLICABLE MUST REMAIN WITHIN DIMENSIONS | | MATERIAL NO. 52089-**19 | DOCUMENT NO. SD-52089-001 | SHEET NO. 1 OF 1 | | |
| SIZE A3 THIS DRAWING CONTAINS INFORMATION THAT IS PROPRIETARY TO MOLEX INCORPORATED AND SHOULD NOT BE USED WITHOUT WRITTEN PERMISSION | | | | | | | | |