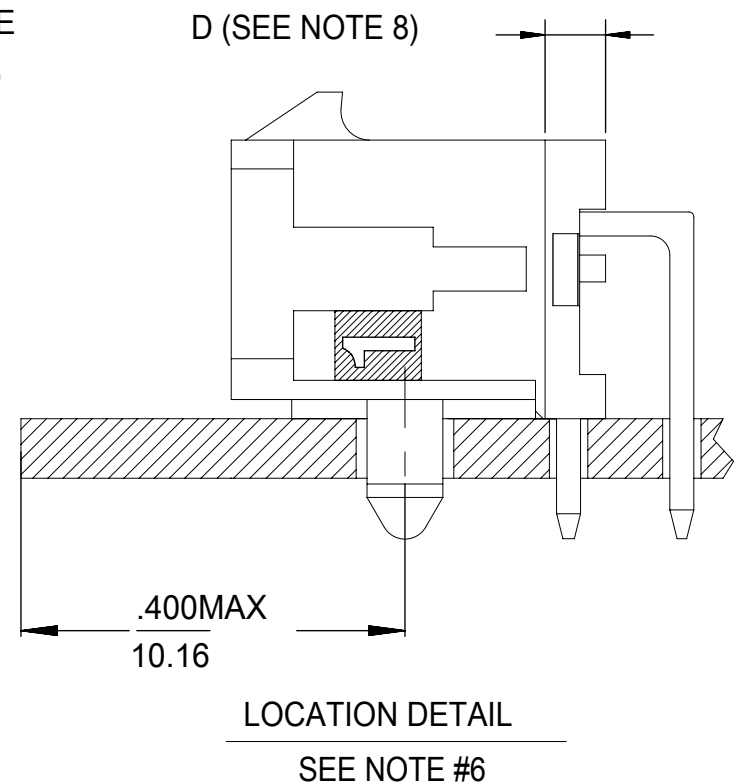
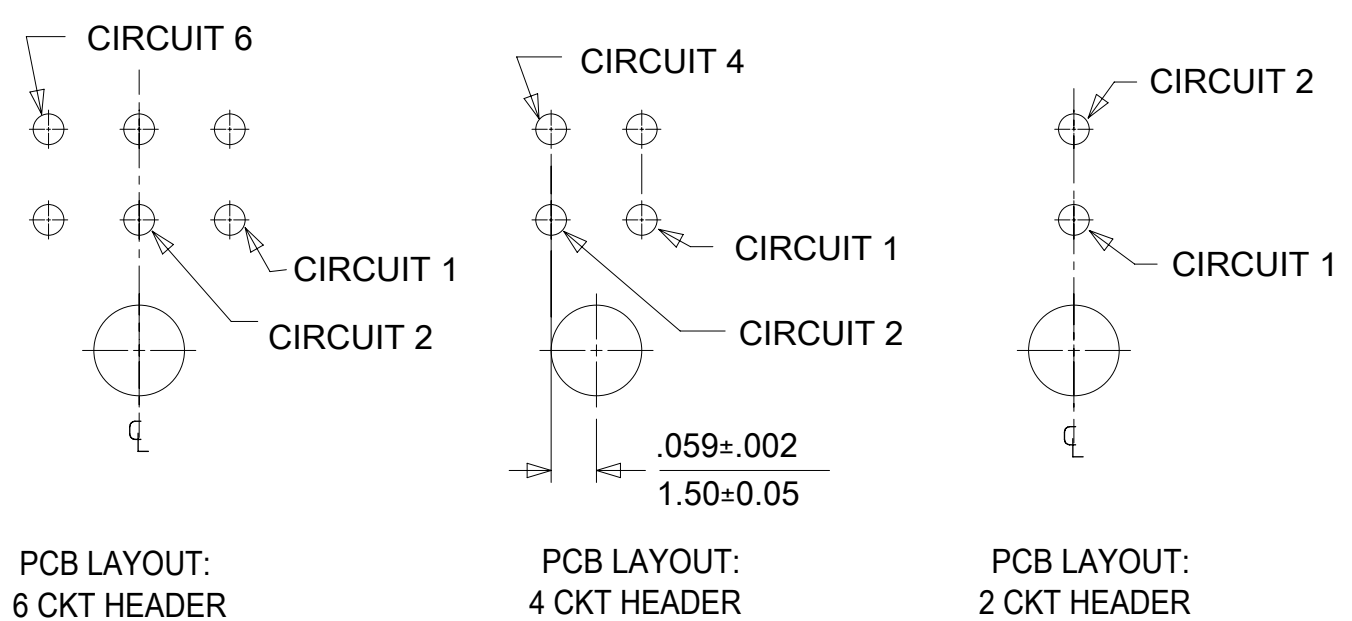


PCB LAYOUT: COMPONENT SIDE  
RECOMMEND PCB THICKNESS: .062/1.57



NOTES:

- HOUSING MATERIAL: GLASS FILLED LIQUID CRYSTAL POLYMER, UL94V-0, COLOR: BLACK  
TERMINAL MATERIAL: BRASS ALLOY
- FINISH: A = .000060/(0.00152) MIN. REFLOWED MATTE TIN OVER .000050/(0.00127) MIN. NICKEL PLATE. (FINISH IS BRIGHT IN APPEARANCE, THICKNESS AS APPLIED PRIOR TO REFLOW).  
B = .000015/(0.00038) MIN. SELECT GOLD IN CONTACT AREA, .000100/(0.00254) MIN. SELECT MATTE TIN ON SOLDER TAILS, BOTH OVER .000050/(0.00127) MIN. NICKEL PLATE.  
C = .000030/(0.00076) MIN. SELECT GOLD IN CONTACT AREA; .000100/(0.00254) MIN. SELECT MATTE TIN ON SOLDER TAILS; BOTH OVER .000050/(0.00127) MIN. NICKEL PLATE.  
D = .000100/(0.00254) MIN. MATTE TIN OVER .000050/(0.00127) MIN. NICKEL PLATE.
- PRODUCT SPECIFICATION: PS-43045
- PACKAGING SPECIFICATION: TAPE AND REEL PACKED PER 430450007-PK
- MATES WITH MICRO FIT (3.0) RECEPTACLE SERIES 43025
- TO AVOID INTERFERENCE BETWEEN RECEPTACLE AND PCB, HEADER MUST BE PLACED WITHIN .400/(10.16) MAX. FROM EDGE OF PCB, AS SHOWN IN LOCATION DETAIL.
- THIS PART CONFORMS TO CLASS B REQUIREMENTS OF COSMETIC SPECIFICATION PS-45499-002.
- CIRCUIT SIZES 2-6: "D" IS .265/6.74 FOR .010/0.25 STEP  
CIRCUIT SIZES 8-24: "D" IS .063/1.60 FOR .010/0.25 STEP.
- TEXT ON PART IS FOR REFERENCE ONLY. TEXT AND TEXT LOCATION MAY VARY DEPENDING ON PART NUMBER AND/OR TOOL.

CKTS	FINISH A	FINISH B	FINISH C	FINISH D
	MATERIAL NO:	MATERIAL NO:	MATERIAL NO:	MATERIAL NO:
02	43045-0299	43045-0297	43045-0289	43045-0293
04	43045-0499	43045-0497	43045-0489	43045-0493
06	43045-0699	43045-0697	43045-0689	43045-0693
08	43045-0899	43045-0897	43045-0889	43045-0893
10	43045-1099	43045-1097	43045-1089	43045-1093
12	43045-1299	43045-1297	43045-1289	43045-1293
14				
16	43045-1699	43045-1697	43045-1689	43045-1693
18	43045-1899	43045-1897	43045-1889	43045-1893
20				
22				
24				



MICRO-FIT(3.0) RIGHT ANGLE THRUHOLE TAPE  
DUAL ROW HEADER / PEG / TAPE & REEL

PRODUCT CUSTOMER DRAWING

DOCUMENT NUMBER	DOC TYPE	DOC PART	REVISION
SD-43045-032	PSD	001	B8

SYMBOLS	THIS DRAWING CONTAINS INFORMATION THAT IS PROPRIETARY TO MOLEX ELECTRONIC TECHNOLOGIES, LLC AND SHOULD NOT BE USED WITHOUT WRITTEN PERMISSION																												
	<table border="1"> <tr> <th>DIMENSION UNITS</th> <th>SCALE</th> </tr> <tr> <td>IN/MM</td> <td>NTS</td> </tr> </table>	DIMENSION UNITS	SCALE	IN/MM	NTS																								
DIMENSION UNITS	SCALE																												
IN/MM	NTS																												
<table border="1"> <tr> <th colspan="2">GENERAL TOLERANCES (UNLESS SPECIFIED)</th> </tr> <tr> <td>4 PLACES</td> <td>± .01</td> </tr> <tr> <td>3 PLACES</td> <td>± .014</td> </tr> <tr> <td>2 PLACES</td> <td>± .025 ± 0.014</td> </tr> <tr> <td>1 PLACE</td> <td>± 0.36</td> </tr> <tr> <td>0 PLACES</td> <td>± .01</td> </tr> </table>	GENERAL TOLERANCES (UNLESS SPECIFIED)		4 PLACES	± .01	3 PLACES	± .014	2 PLACES	± .025 ± 0.014	1 PLACE	± 0.36	0 PLACES	± .01	<table border="1"> <tr> <td>CURRENT REV</td> <td>DESC: ADD 2 CIRCUIT PART NUMBERS</td> </tr> <tr> <td>EC NO:</td> <td>630641</td> </tr> <tr> <td>DRWN:</td> <td>EHAUGERUD 2020/01/16</td> </tr> <tr> <td>CHK'D:</td> <td>SSOUSEK 2022/02/04</td> </tr> <tr> <td>APPR:</td> <td>FSMITH 2022/02/05</td> </tr> <tr> <td>INITIAL REVISION:</td> <td></td> </tr> <tr> <td>DRWN:</td> <td>SSOUSEK 2010/05/19</td> </tr> <tr> <td>APPR:</td> <td>FSMITH 2016/02/26</td> </tr> </table>	CURRENT REV	DESC: ADD 2 CIRCUIT PART NUMBERS	EC NO:	630641	DRWN:	EHAUGERUD 2020/01/16	CHK'D:	SSOUSEK 2022/02/04	APPR:	FSMITH 2022/02/05	INITIAL REVISION:		DRWN:	SSOUSEK 2010/05/19	APPR:	FSMITH 2016/02/26
GENERAL TOLERANCES (UNLESS SPECIFIED)																													
4 PLACES	± .01																												
3 PLACES	± .014																												
2 PLACES	± .025 ± 0.014																												
1 PLACE	± 0.36																												
0 PLACES	± .01																												
CURRENT REV	DESC: ADD 2 CIRCUIT PART NUMBERS																												
EC NO:	630641																												
DRWN:	EHAUGERUD 2020/01/16																												
CHK'D:	SSOUSEK 2022/02/04																												
APPR:	FSMITH 2022/02/05																												
INITIAL REVISION:																													
DRWN:	SSOUSEK 2010/05/19																												
APPR:	FSMITH 2016/02/26																												
<table border="1"> <tr> <td>ANGULAR TOL</td> <td>± 0.5°</td> </tr> </table>	ANGULAR TOL	± 0.5°	<table border="1"> <tr> <td>THIRD ANGLE PROJECTION</td> <td>DRAWING</td> <td>SERIES</td> </tr> <tr> <td></td> <td>C-SIZE</td> <td>43045</td> </tr> </table>	THIRD ANGLE PROJECTION	DRAWING	SERIES		C-SIZE	43045																				
ANGULAR TOL	± 0.5°																												
THIRD ANGLE PROJECTION	DRAWING	SERIES																											
	C-SIZE	43045																											
<table border="1"> <tr> <td>DRAFT WHERE APPLICABLE MUST REMAIN WITHIN DIMENSIONS</td> <td>SEE CHART</td> <td>GENERAL MARKET</td> <td>SHEET NUMBER</td> </tr> <tr> <td></td> <td></td> <td></td> <td>1 OF 1</td> </tr> </table>	DRAFT WHERE APPLICABLE MUST REMAIN WITHIN DIMENSIONS	SEE CHART	GENERAL MARKET	SHEET NUMBER				1 OF 1																					
DRAFT WHERE APPLICABLE MUST REMAIN WITHIN DIMENSIONS	SEE CHART	GENERAL MARKET	SHEET NUMBER																										
			1 OF 1																										

CKTS	A	B	C
02	.262 6.65	NA	NA
04	.380 9.65	.118 3.00	NA
06	.498 12.65	.236 6.00	NA
08	.616 15.65	.354 9.00	.185 4.70
10	.734 18.65	.472 12.00	.303 7.70
12	.852 21.65	.591 15.00	.421 10.70
14	.970 24.65	.709 18.00	.539 13.70
16	1.088 27.65	.827 21.00	.657 16.70
18	1.206 30.65	.945 24.00	.776 19.70
20	1.325 33.65	1.063 27.00	.894 22.70
22	1.443 36.65	1.181 30.00	1.012 25.70
24	1.561 39.65	1.299 33.00	1.130 28.70

DOCUMENT STATUS	P1	RELEASE DATE	2022/02/05	00:43:36
-----------------	----	--------------	------------	----------