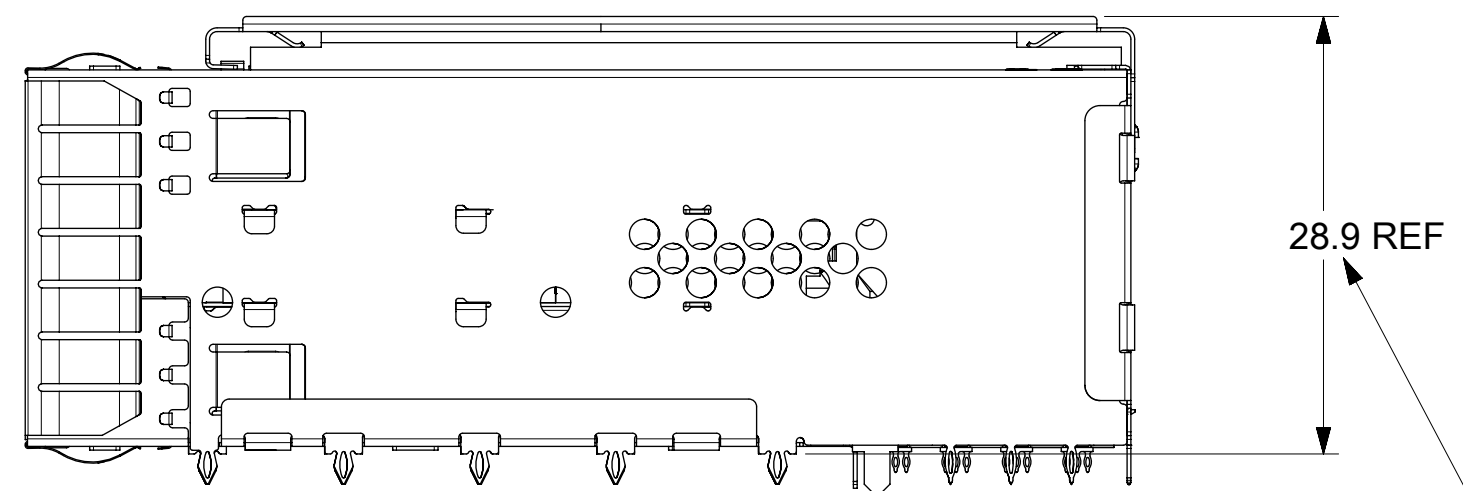
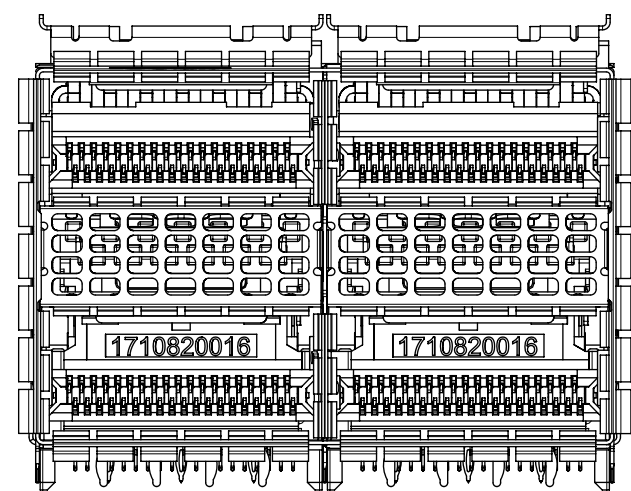


NOTES:

- MATERIAL:**
 CAGE: STAINLESS STEEL
 SPRING FINGERS: COPPER ALLOY
 CONNECTOR HOUSING: GLASS FILLED LIQUID CRYSTAL POLYMER (LCP), COLOR: BLACK 94V-0
 TERMINALS: HIGH PERFORMANCE COPPER ALLOY
 INTERNAL HEATSINKS AND TOP HEATSINKS: ANNOXIDIZED ALUMINUM
 INTERNAL HEATSINK CLIPS AND TOP HEATSINK CLIPS : STAINLESS STEEL
- FINISH:**
 SPRING FINGERS: 0.5 MICROMETER MINIMUM NICKEL
 TERMINALS:
 CONTACT AREA: 0.76 MICROMETER MIN. GOLD OVER 3.8 MICROMETER MIN. NICKEL.
 COMPLIANT AREA: 0.76 MICROMETER MIN. MATTE TIN OVER 1.27 MICROMETER MIN. NICKEL.
- ALL SURFACES TO BE CLASS 'C' OR BETTER PER MOLEX COSMETIC SPECIFICATION ES-171233-0001**
- CONNECTOR INTENDED TO MATE WITH PLUG CABLE SERIES 74757 AND 74758.**
- DATE CODE LOCATION SHOWN, DATE CODE FORMAT: YYDDD
 YY: YEAR, DDD: DAY OF THE YEAR**

FUNCTIONAL SYMBOLS $\nabla_A = 0$ $\nabla_E = 0$ $\nabla_P = 0$ DIVISIONAL SYMBOLS	THIS DRAWING CONTAINS INFORMATION THAT IS PROPRIETARY TO MOLEX ELECTRONIC TECHNOLOGIES, LLC AND SHOULD NOT BE USED WITHOUT WRITTEN PERMISSION		CURRENT REV DESC:	
	DIMENSION UNITS	SCALE		
	mm	2:1		
	GENERAL TOLERANCES (UNLESS SPECIFIED)			
ANGULAR TOL $\pm 0.5^\circ$		EC NO: 710361		
4 PLACES \pm		DRWN: WZHAO21	2021/06/29	
3 PLACES \pm		CHK'D: WZHAO21	2022/06/15	
2 PLACES ± 0.13		APPR: WZHAO21	2022/06/15	
1 PLACE ± 0.25		INITIAL REVISION:		
0 PLACES \pm		DRWN: TMARRI	2021/01/06	
		APPR: JKACHLIC	2021/05/18	
DRAFT WHERE APPLICABLE MUST REMAIN WITHIN DIMENSIONS		THIRD ANGLE PROJECTION	DRAWING	SERIES
			C-SIZE	215772
DOCUMENT STATUS		DOCUMENT NUMBER	DOC TYPE	DOC PART
P1	RELEASE DATE	2157723105	PSD	000
2022/06/15	01:08:52			
		CUSTOMER	SHEET NUMBER	
			1 OF 5	



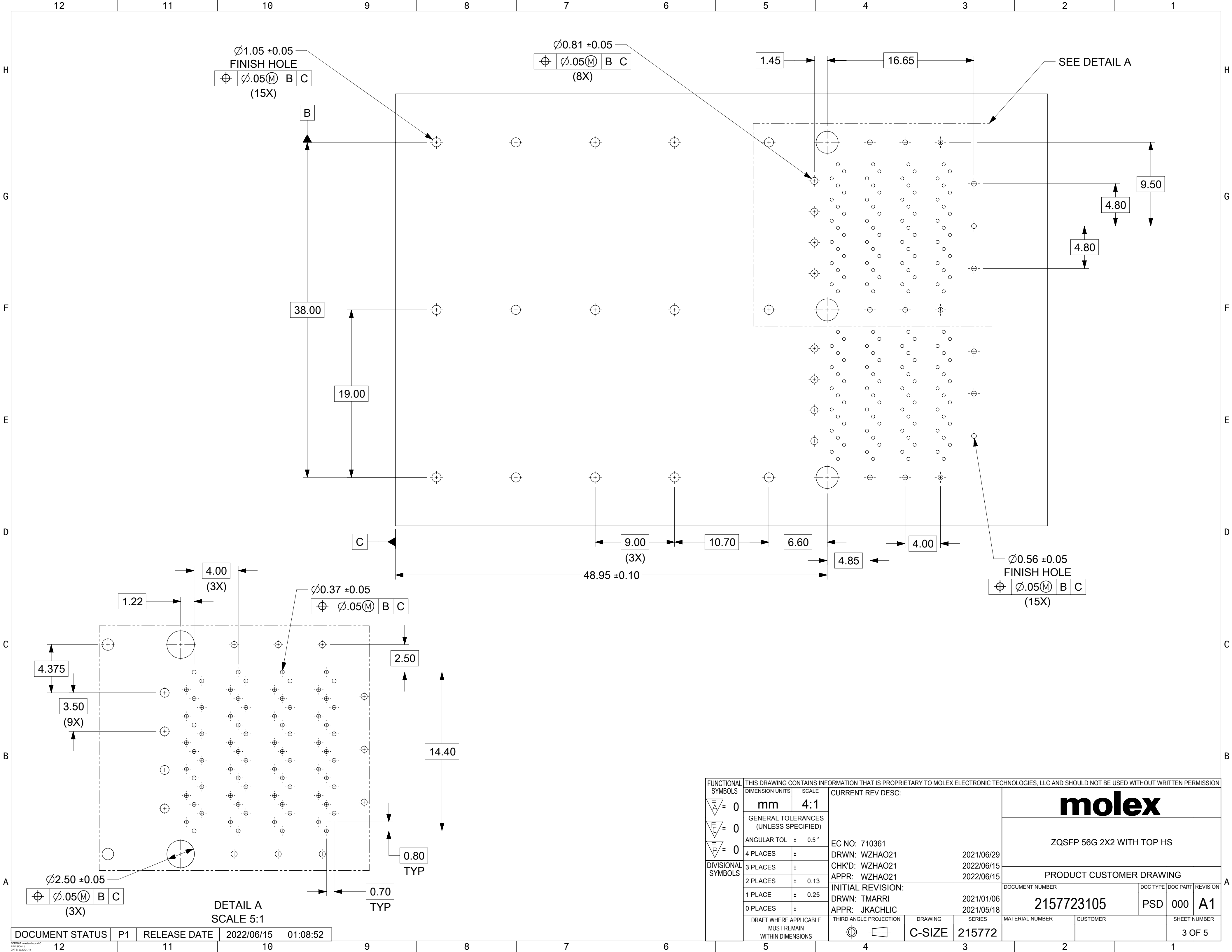
DIMENSION MAY INCREASE WITH PLUG MODULE INSERTED,
MAX. HEIGHT SHOULD LESS THAN 31.0MM

FUNCTIONAL SYMBOLS	THIS DRAWING CONTAINS INFORMATION THAT IS PROPRIETARY TO MOLEX ELECTRONIC TECHNOLOGIES, LLC AND SHOULD NOT BE USED WITHOUT WRITTEN PERMISSION						
	DIMENSION UNITS	SCALE	CURRENT REV DESC:				
$\frac{F}{A} = 0$	mm	2:1	EC NO: 710361 DRWN: WZHAO21 2021/06/29 CHK'D: WZHAO21 2022/06/15 APPR: WZHAO21 2022/06/15				
$\frac{F}{C} = 0$	GENERAL TOLERANCES (UNLESS SPECIFIED)						
$\frac{F}{P} = 0$	ANGULAR TOL $\pm 0.5^\circ$						
DIVISIONAL SYMBOLS	4 PLACES	\pm					
	3 PLACES	\pm	INITIAL REVISION: DRWN: TMARRI 2021/01/06 APPR: JKACHLIC 2021/05/18				
	2 PLACES	± 0.13					
	1 PLACE	± 0.25	DOCUMENT NUMBER	DOC TYPE	DOC PART	REVISION	
	0 PLACES	\pm	2157723105	PSD	000	A1	
	DRAFT WHERE APPLICABLE MUST REMAIN WITHIN DIMENSIONS	THIRD ANGLE PROJECTION	DRAWING	SERIES	MATERIAL NUMBER	CUSTOMER	SHEET NUMBER
			C-SIZE	215772			2 OF 5

molex

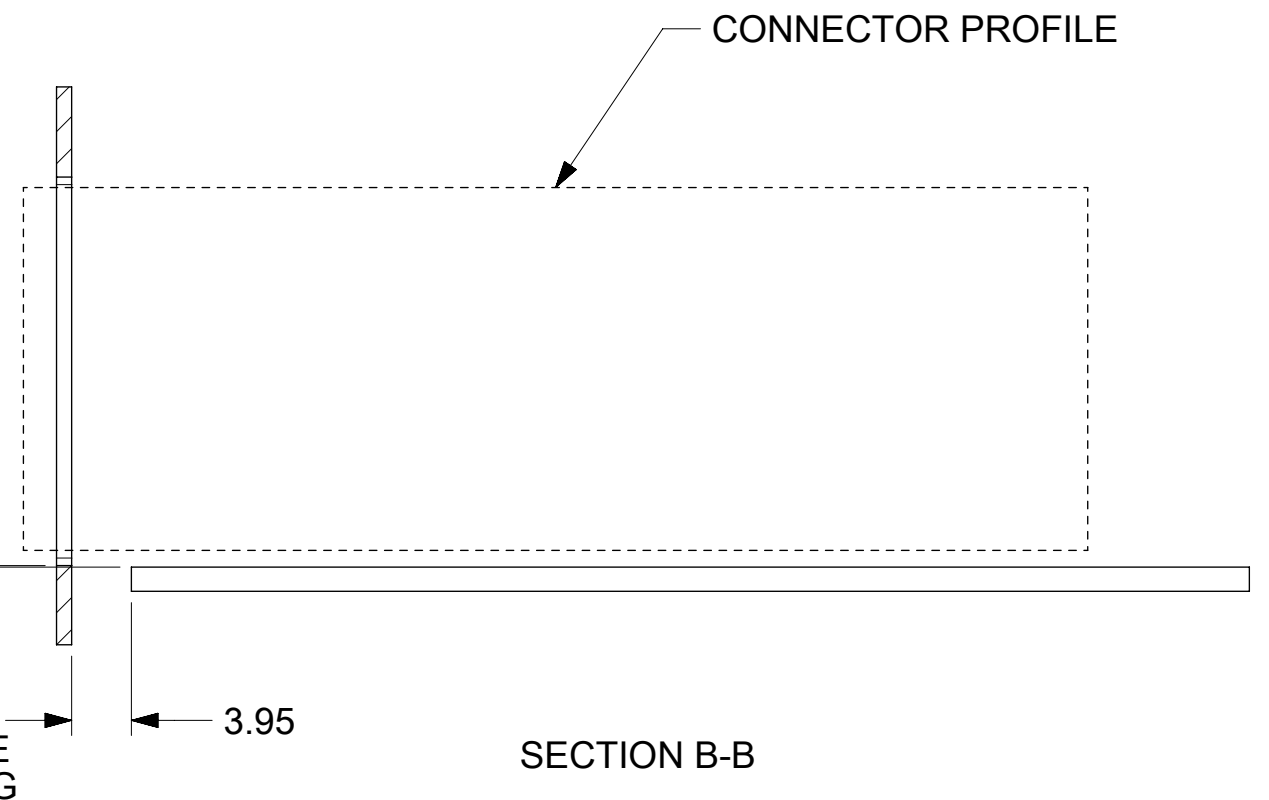
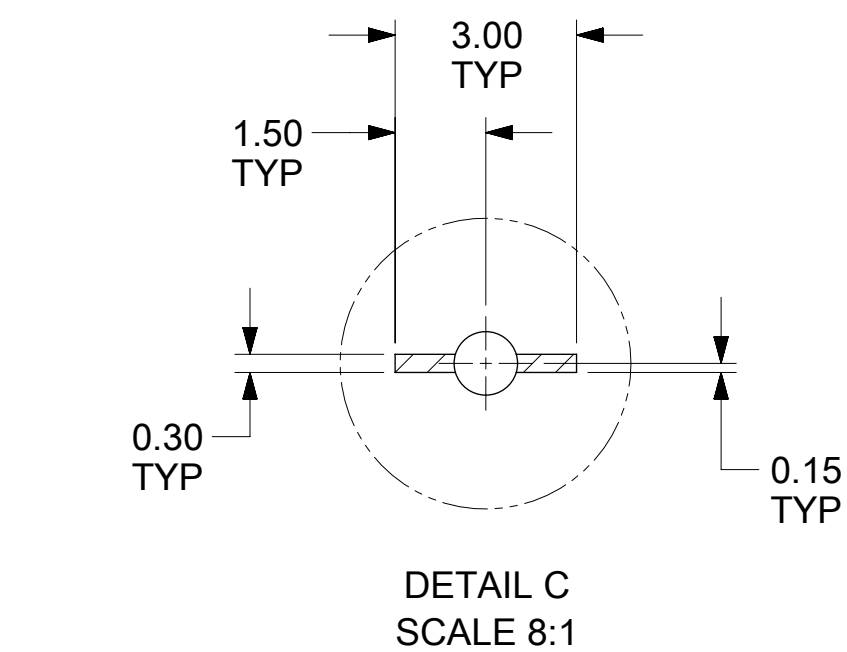
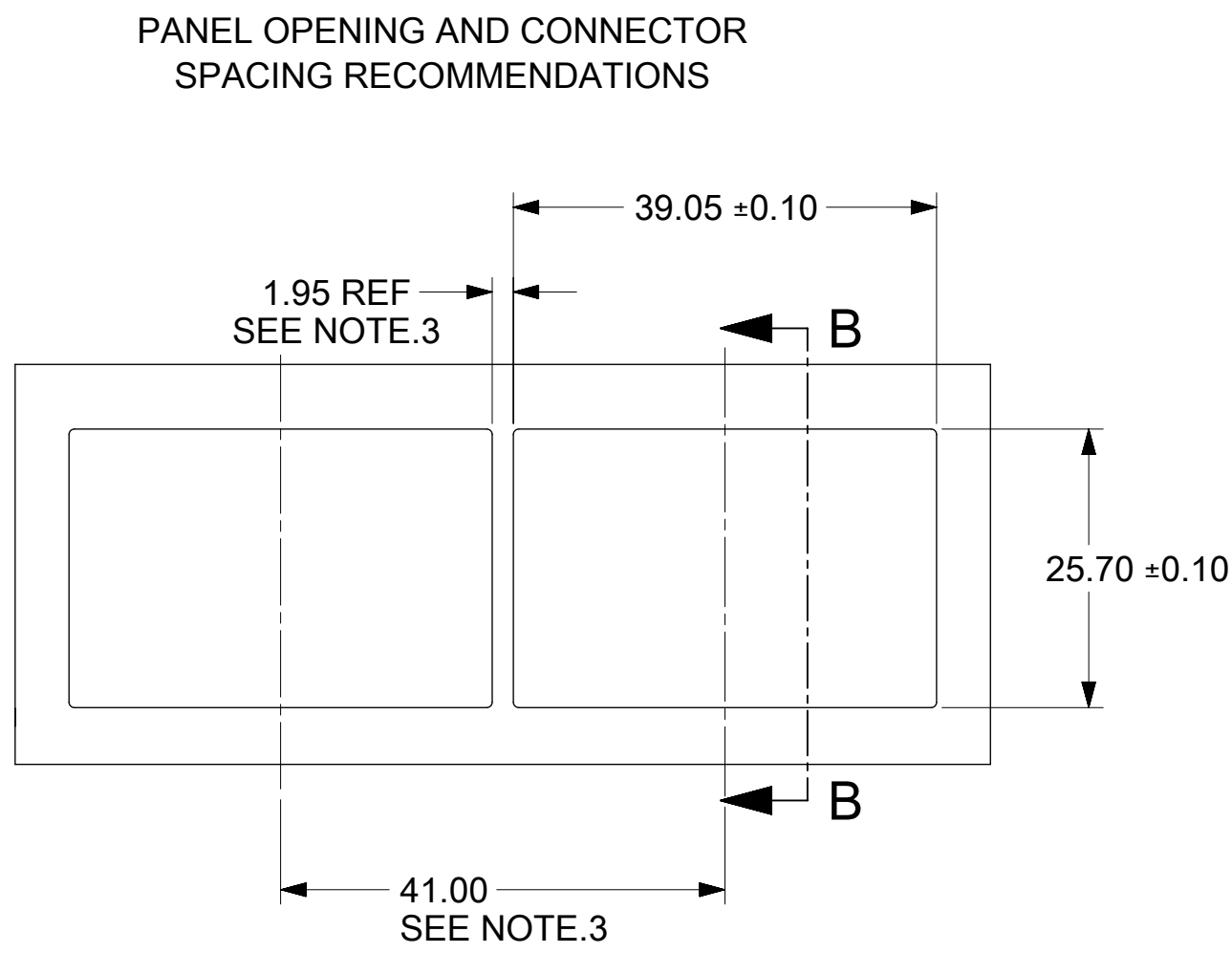
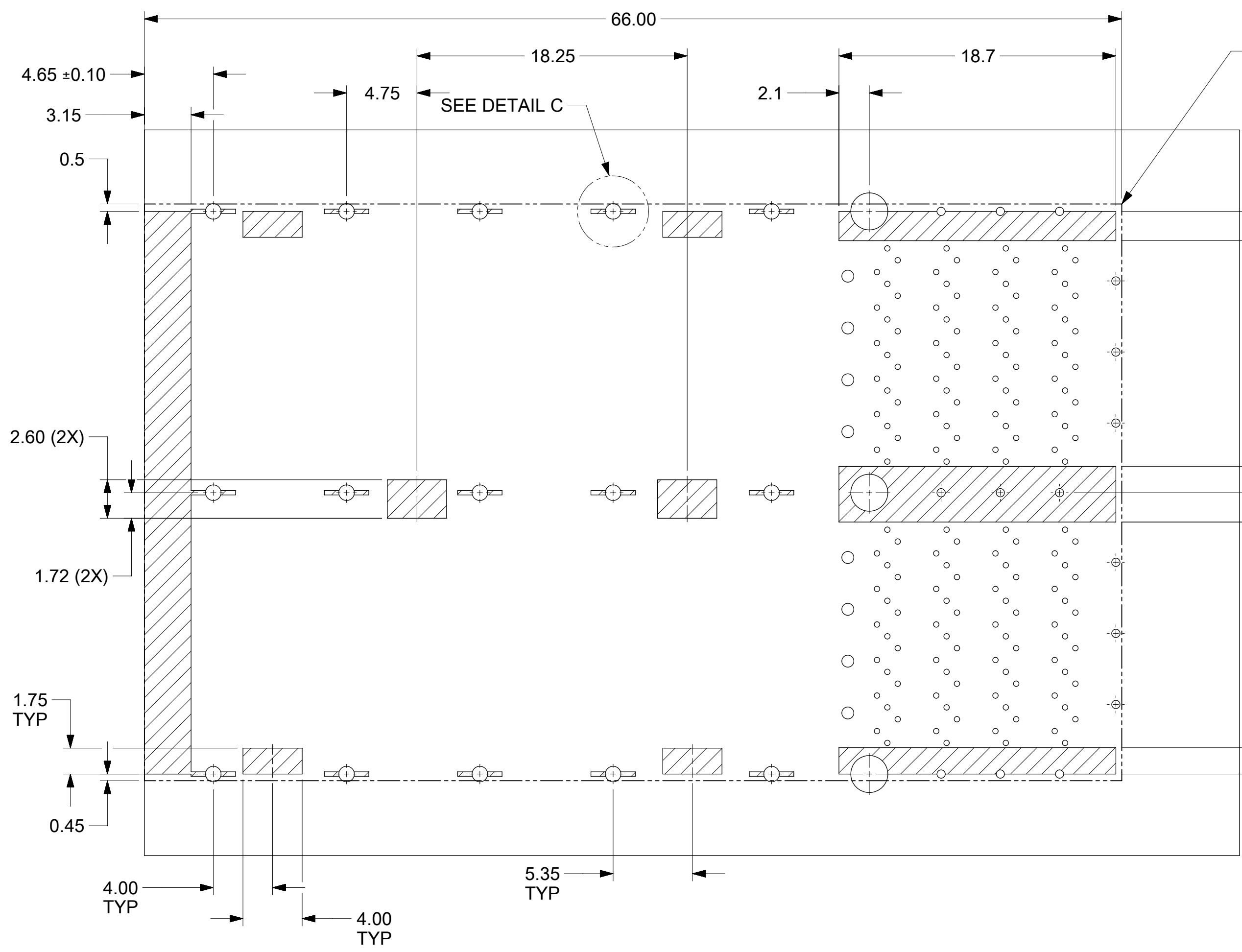
ZQSFP 56G 2X2 WITH TOP HS

PRODUCT CUSTOMER DRAWING



FUNCTIONAL SYMBOLS $\nabla_A = 0$ $\nabla_C = 0$ $\nabla_P = 0$	THIS DRAWING CONTAINS INFORMATION THAT IS PROPRIETARY TO MOLEX ELECTRONIC TECHNOLOGIES, LLC AND SHOULD NOT BE USED WITHOUT WRITTEN PERMISSION		CURRENT REV DESC:					
	DIMENSION UNITS	SCALE	EC NO: 710361					
	mm	4:1	DRWN: WZHAO21	2021/06/29				
	GENERAL TOLERANCES (UNLESS SPECIFIED)		CHK'D: WZHAO21	2022/06/15				
ANGULAR TOL ± 0.5°		APPR: WZHAO21	2022/06/15	PRODUCT CUSTOMER DRAWING				
DIVISIONAL SYMBOLS 4 PLACES ± 3 PLACES ± 2 PLACES ± 0.13 1 PLACE ± 0.25 0 PLACES ±	DRAFT WHERE APPLICABLE MUST REMAIN WITHIN DIMENSIONS		INITIAL REVISION:	DOCUMENT NUMBER	DOC TYPE	DOC PART	REVISION	
	THIRD ANGLE PROJECTION		DRWN: TMARRI	2021/01/06	2157723105	PSD	000	A1
	DRAWING		APPR: JKACHLIC	2021/05/18				
	C-SIZE		SERIES	MATERIAL NUMBER	CUSTOMER	SHEET NUMBER		
		215772			3 OF 5			

DOCUMENT STATUS	P1	RELEASE DATE	2022/06/15	01:08:52
-----------------	----	--------------	------------	----------



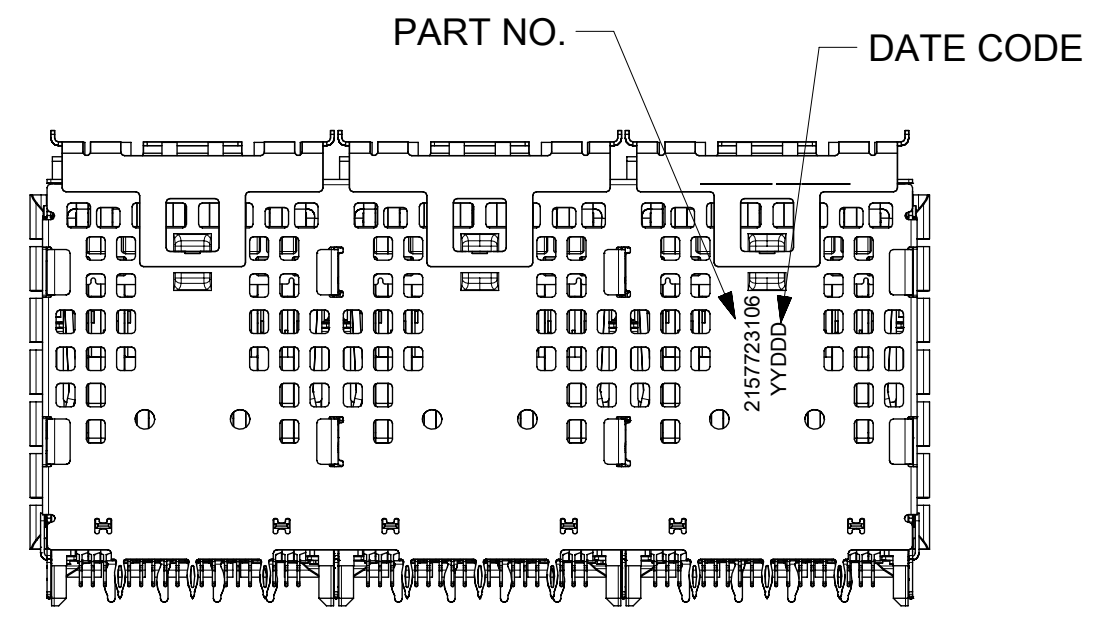
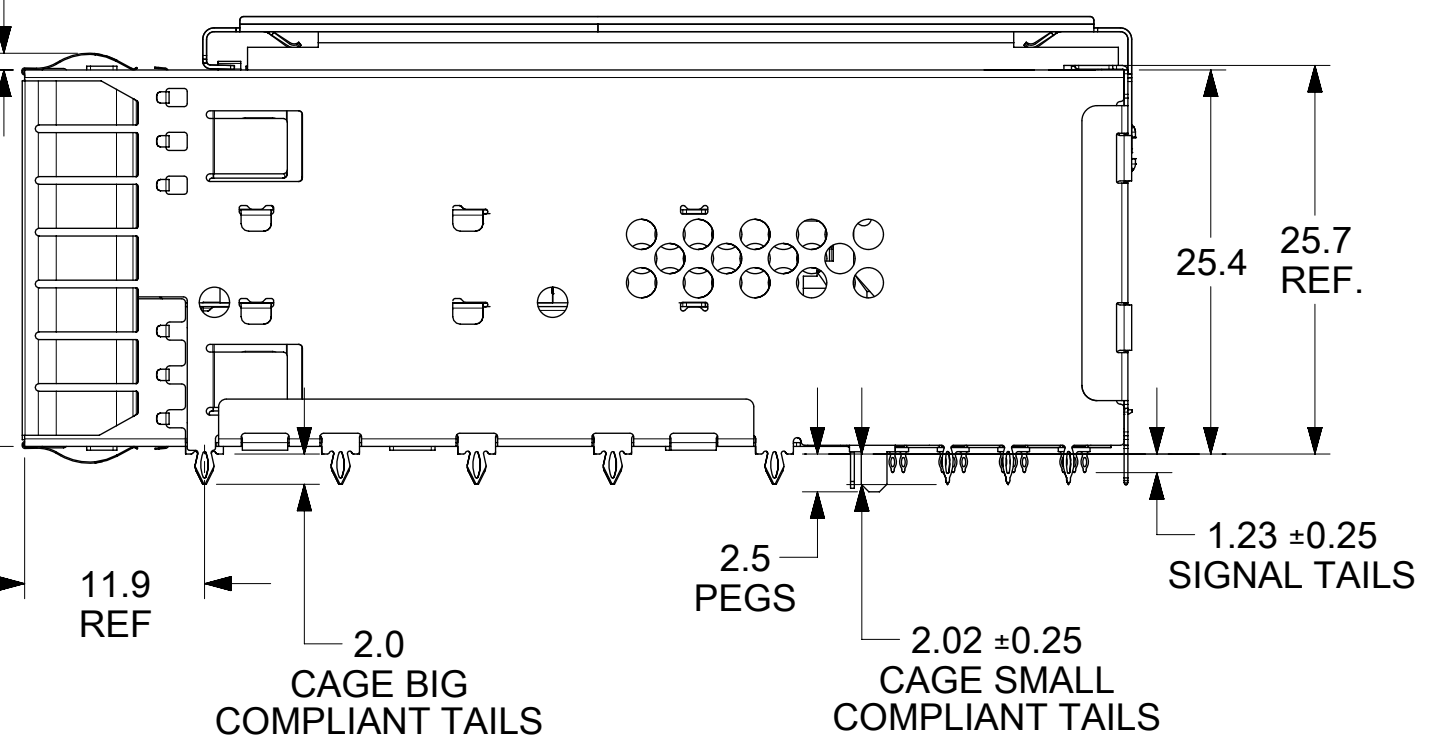
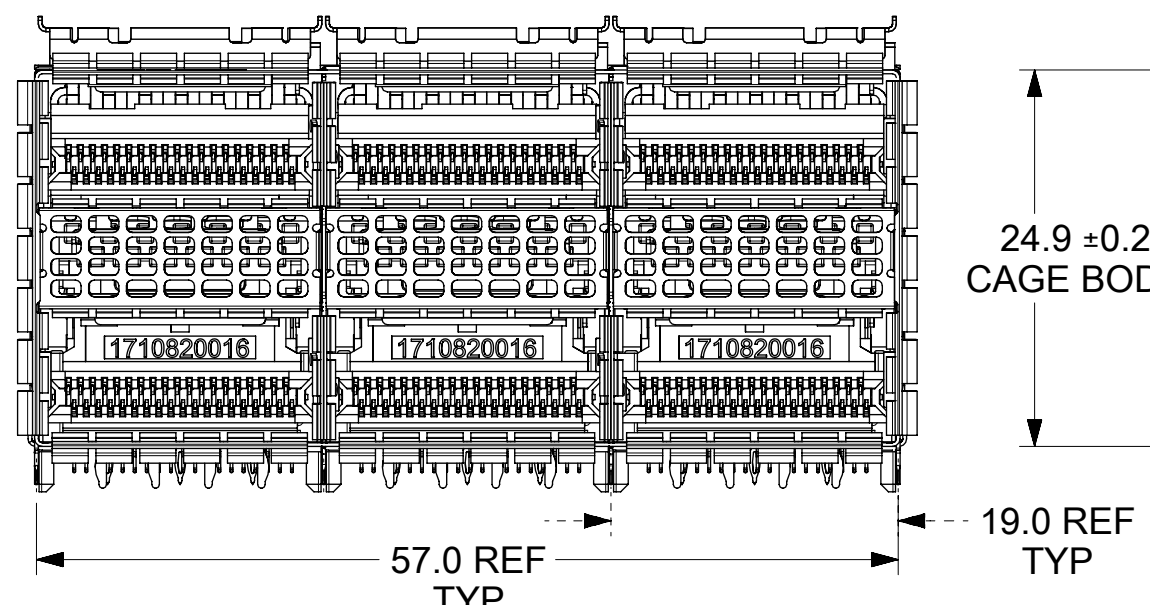
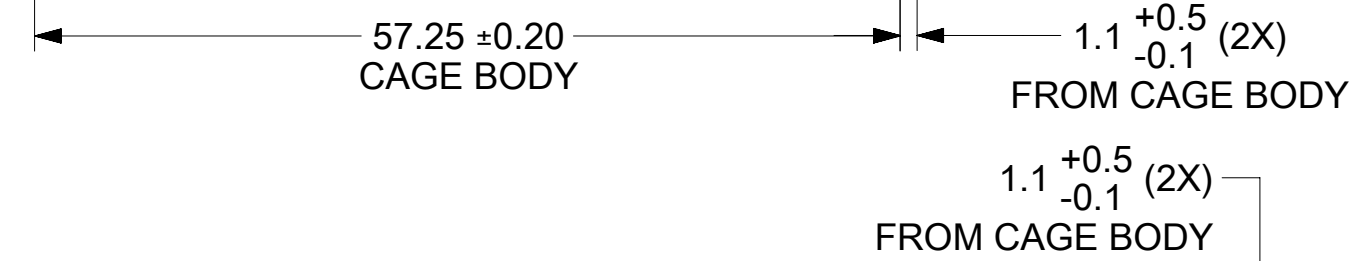
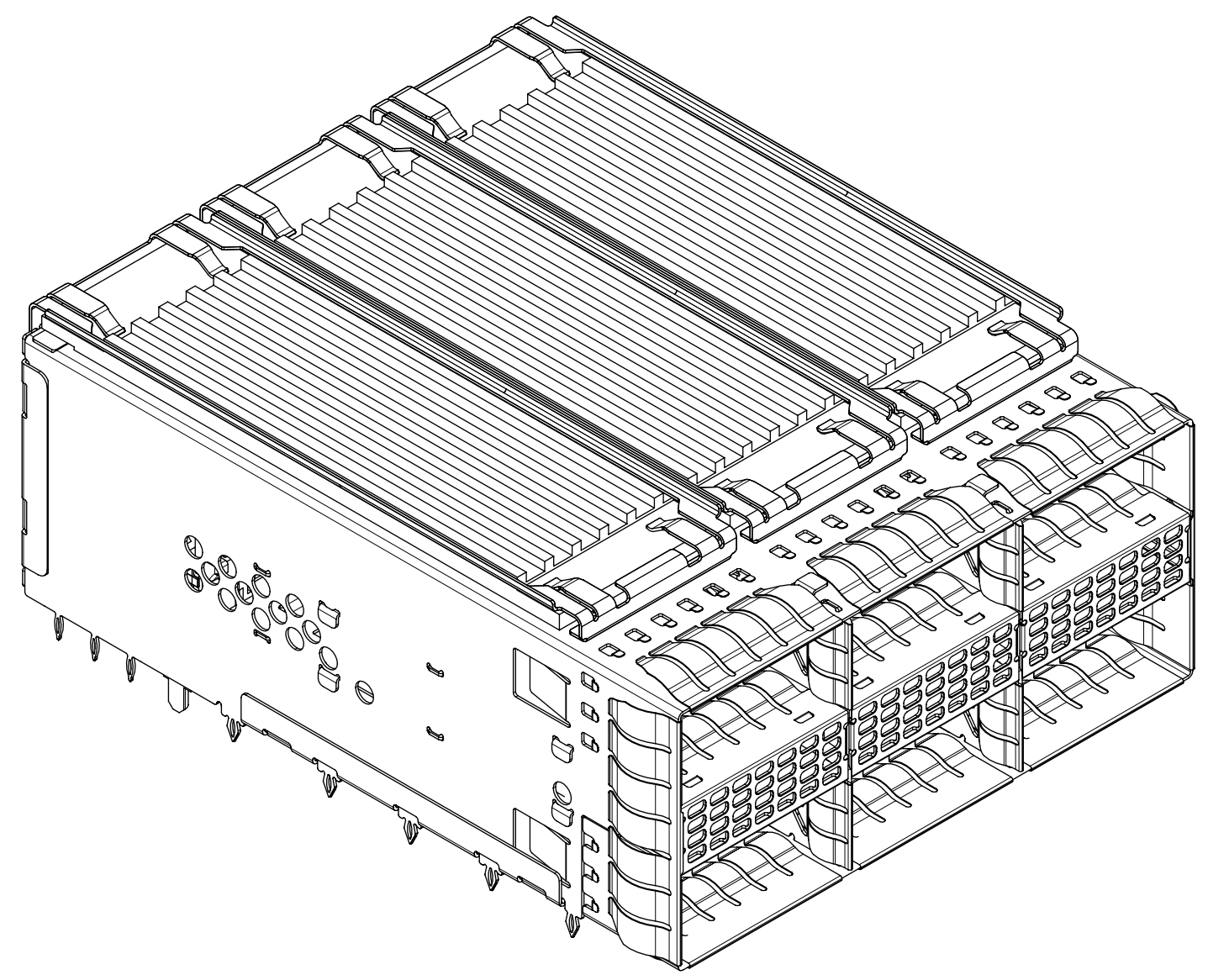
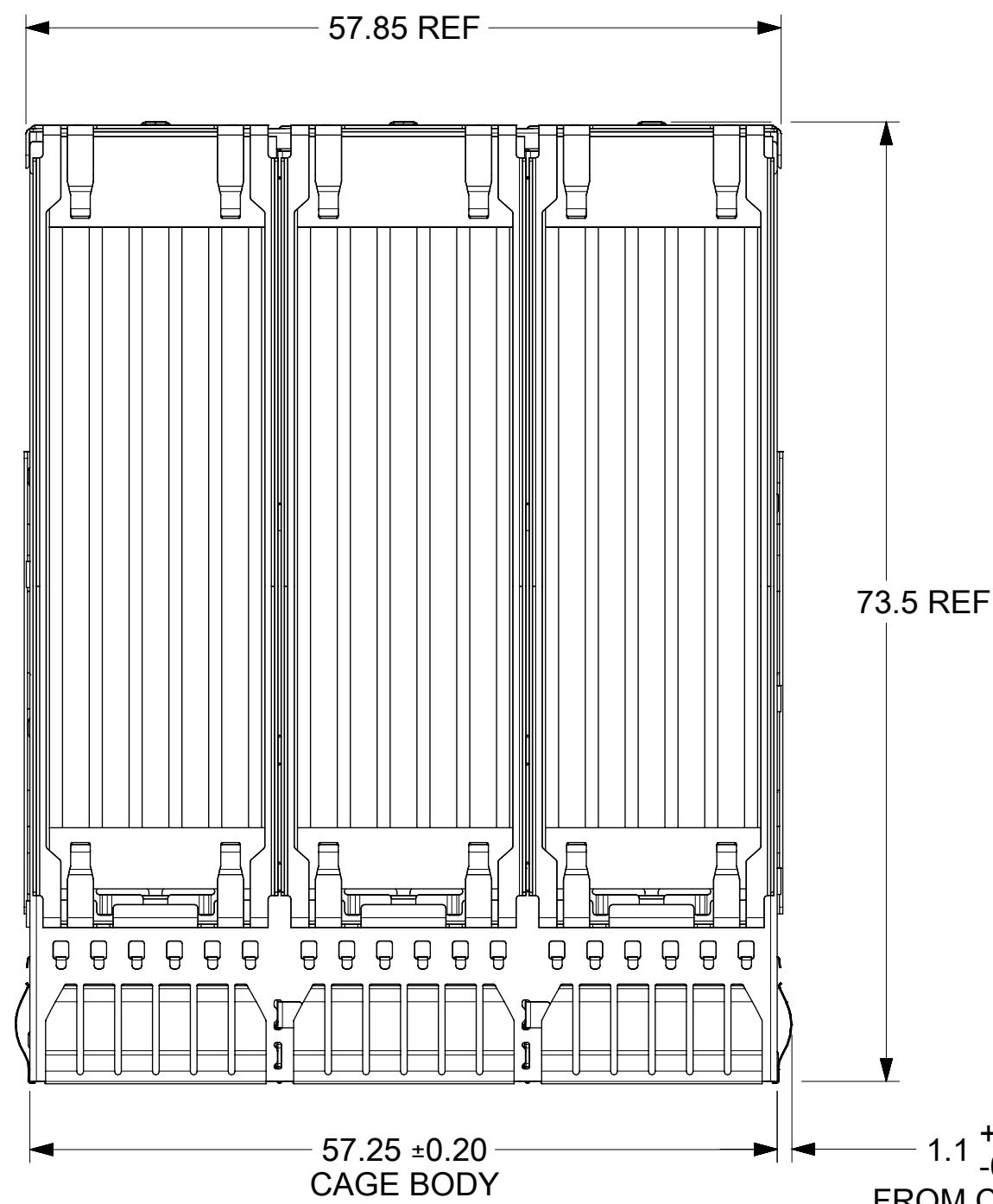
- NOTES:**
1. THE ENTIRE AREA UNDER THE CONNECTOR IS A COMPONENT KEEP OUT ZONE.
 2. CROSS-HATCHED AREAS INDICATE PLACES WHERE THE PLASTIC HOUSING AND METAL CAGE MAY BE IN CONTACT WITH THE PCB SURFACE. THESE AREAS ARE THE TRACE KEEP-OUT ZONES.
 3. DIMENSIONS VARY BY PCB LAYOUT AND EXTRACTION TOOLING DESIGN.

THIS DRAWING CONTAINS INFORMATION THAT IS PROPRIETARY TO MOLEX ELECTRONIC TECHNOLOGIES, LLC AND SHOULD NOT BE USED WITHOUT WRITTEN PERMISSION									
FUNCTIONAL SYMBOLS	DIMENSION UNITS	SCALE	CURRENT REV DESC:						
$\nabla_A = 0$	mm	4:1	EC NO: 710361 DRWN: WZHAO21 2021/06/29 CHK'D: WZHAO21 2022/06/15 APPR: WZHAO21 2022/06/15 INITIAL REVISION: DRWN: TMARRI 2021/01/06 APPR: JKACHLIC 2021/05/18						
$\nabla_C = 0$	GENERAL TOLERANCES (UNLESS SPECIFIED)								
$\nabla_P = 0$	ANGULAR TOL $\pm 0.5^\circ$								
DIVISIONAL SYMBOLS	4 PLACES	\pm							
	3 PLACES	\pm	PRODUCT CUSTOMER DRAWING						
	2 PLACES	± 0.13	DOCUMENT NUMBER				DOC TYPE	DOC PART	REVISION
	1 PLACE	± 0.25	2157723105				PSD	000	A1
	0 PLACES	\pm	MATERIAL NUMBER		CUSTOMER		SHEET NUMBER		
DRAFT WHERE APPLICABLE MUST REMAIN WITHIN DIMENSIONS		THIRD ANGLE PROJECTION	DRAWING	SERIES			4 OF 5		
			C-SIZE	215772					

H
G
F
E
D
C
B
A

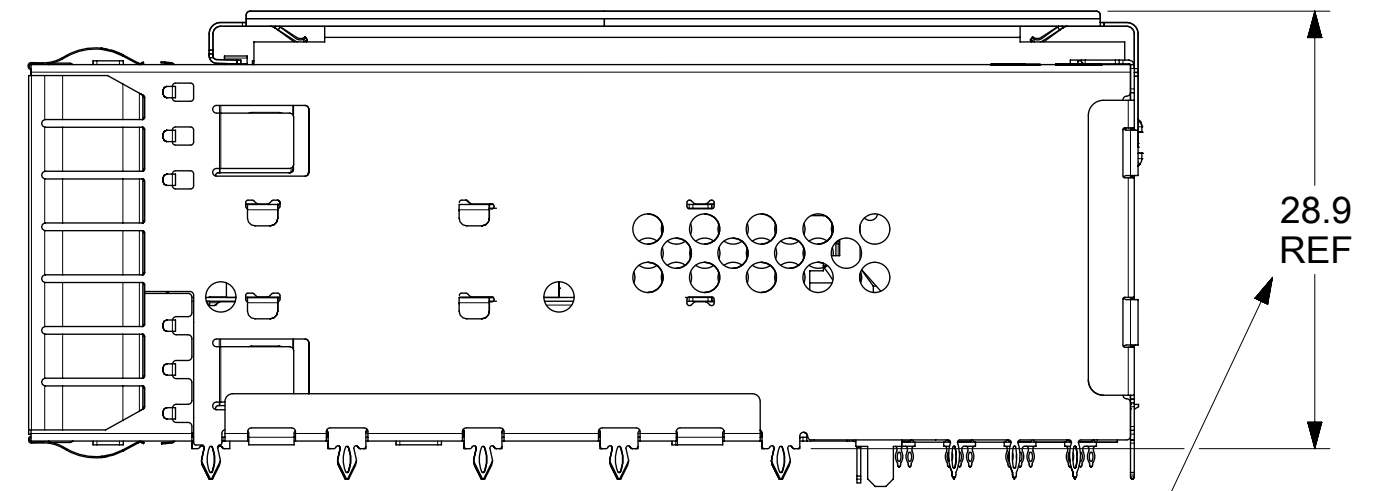
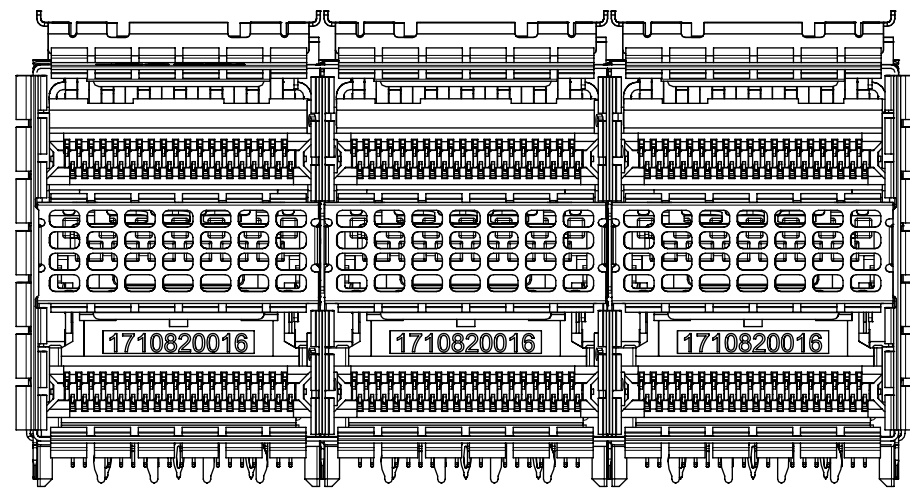
REVISION HISTORY		
DATE	REV.	DESCRIPTION
2021/01/07	A	INITIAL RELEASE
2021/06/29	A1	PAGE 3 H7, CORRET 0.81MM HOLE QUANTITY TO 8X WAS 15X.

FUNCTIONAL SYMBOLS	THIS DRAWING CONTAINS INFORMATION THAT IS PROPRIETARY TO MOLEX ELECTRONIC TECHNOLOGIES, LLC AND SHOULD NOT BE USED WITHOUT WRITTEN PERMISSION													
	DIMENSION UNITS	SCALE	CURRENT REV DESC:							molex				
$\frac{F}{A} = 0$	mm	1:1	EC NO: 710361									ZQSFP 56G 2X2 WITH TOP HS		
$\frac{F}{C} = 0$	GENERAL TOLERANCES (UNLESS SPECIFIED)		DRWN: WZHAO21 2021/06/29							PRODUCT CUSTOMER DRAWING				
$\frac{F}{P} = 0$	ANGULAR TOL $\pm 0.5^\circ$		CHK'D: WZHAO21 2022/06/15											
DIVISIONAL SYMBOLS	4 PLACES \pm		APPR: WZHAO21 2022/06/15							DOCUMENT NUMBER		DOC TYPE	DOC PART	REVISION
	3 PLACES \pm		INITIAL REVISION:							2157723105		PSD	000	A1
	2 PLACES ± 0.13		DRWN: TMARRI 2021/01/06							MATERIAL NUMBER		CUSTOMER		SHEET NUMBER
	1 PLACE ± 0.25		APPR: JKACHLIC 2021/05/18							C-SIZE		215772		5 OF 5
0 PLACES \pm		DRAFT WHERE APPLICABLE MUST REMAIN WITHIN DIMENSIONS		THIRD ANGLE PROJECTION		DRAWING		SERIES		CUSTOMER		SHEET NUMBER		



- NOTES:
- MATERIAL:
 - CAGE: STAINLESS STEEL
 - SPRING FINGERS: COPPER ALLOY
 - CONNECTOR HOUSING: GLASS FILLED LIQUID CRYSTAL POLYMER (LCP), COLOR: BLACK 94V-0
 - TERMINALS: HIGH PERFORMANCE COPPER ALLOY
 - INTERNAL HEATSINKS AND TOP HEATSINKS: ANNOXIDIZED ALUMINUM
 - INTERNAL HEATSINK CLIPS AND TOP HEATSINK CLIPS : STAINLESS STEEL
 - FINISH:
 - SPRING FINGERS: 0.5 MICROMETER MINIMUM NICKEL
 - TERMINALS:
 - CONTACT AREA: 0.76 MICROMETER MIN. GOLD OVER 3.8 MICROMETER MIN. NICKEL.
 - COMPLIANT AREA: 0.76 MICROMETER MIN. MATTE TIN OVER 1.27 MICROMETER MIN. NICKEL.
 - ALL SURFACES TO BE CLASS 'C' OR BETTER PER MOLEX COSMETIC SPECIFICATION ES-171233-0001
 - CONNECTOR INTENDED TO MATE WITH PLUG CABLE SERIES 74757 AND 74758.
 - DATE CODE LOCATION SHOWN, DATE CODE FORMAT: YYDDD
YY: YEAR, DDD: DAY OF THE YEAR

FUNCTIONAL SYMBOLS $\nabla_A = 0$ $\nabla_E = 0$ $\nabla_P = 0$ DIVISIONAL SYMBOLS	THIS DRAWING CONTAINS INFORMATION THAT IS PROPRIETARY TO MOLEX ELECTRONIC TECHNOLOGIES, LLC AND SHOULD NOT BE USED WITHOUT WRITTEN PERMISSION		CURRENT REV DESC:	
	DIMENSION UNITS	SCALE		
	mm	2:1		
	GENERAL TOLERANCES (UNLESS SPECIFIED)			
	ANGULAR TOL $\pm 0.5^\circ$			
4 PLACES \pm		EC NO: 710361		
3 PLACES \pm		DRWN: SSU09	2022/06/14	
2 PLACES ± 0.13		CHK'D: WZHAO21	2022/06/15	
1 PLACE ± 0.25		APPR: WZHAO21	2022/06/15	
0 PLACES \pm		INITIAL REVISION:		
DRAFT WHERE APPLICABLE MUST REMAIN WITHIN DIMENSIONS		DRWN: TMARRI	2020/11/03	
THIRD ANGLE PROJECTION		APPR: JKACHLIC	2021/05/18	
DRAWING		SERIES	MATERIAL NUMBER	CUSTOMER
C-SIZE		215772	2157723106	
		DOCUMENT NUMBER		DOC TYPE DOC PART REVISION
		2157723106		PSD 000 A1
		SHEET NUMBER		1 OF 5



DIMENSION MAY INCREASE WITH PLUG MODULE INSERTED,
MAX. HEIGHT SHOULD LESS THAN 31.0MM

FUNCTIONAL SYMBOLS	THIS DRAWING CONTAINS INFORMATION THAT IS PROPRIETARY TO MOLEX ELECTRONIC TECHNOLOGIES, LLC AND SHOULD NOT BE USED WITHOUT WRITTEN PERMISSION							
	DIMENSION UNITS	SCALE	CURRENT REV DESC:					
$\frac{F}{A} = 0$	mm	2:1	EC NO: 710361 DRWN: SSU09 2022/06/14 CHK'D: WZHAO21 2022/06/15 APPR: WZHAO21 2022/06/15					
$\frac{F}{C} = 0$	GENERAL TOLERANCES (UNLESS SPECIFIED)							
$\frac{F}{P} = 0$	ANGULAR TOL $\pm 0.5^\circ$							
DIVISIONAL SYMBOLS	4 PLACES	\pm	INITIAL REVISION: DRWN: TMARRI 2020/11/03 APPR: JKACHLIC 2021/05/18					
	3 PLACES	\pm						
	2 PLACES	± 0.13						
	1 PLACE	± 0.25						
	0 PLACES	\pm						
DRAFT WHERE APPLICABLE MUST REMAIN WITHIN DIMENSIONS		THIRD ANGLE PROJECTION	DRAWING	SERIES	DOCUMENT NUMBER	DOC TYPE	DOC PART	REVISION
			C-SIZE	215772	2157723106	PSD	000	A1
					MATERIAL NUMBER	CUSTOMER	SHEET NUMBER	
							2 OF 5	

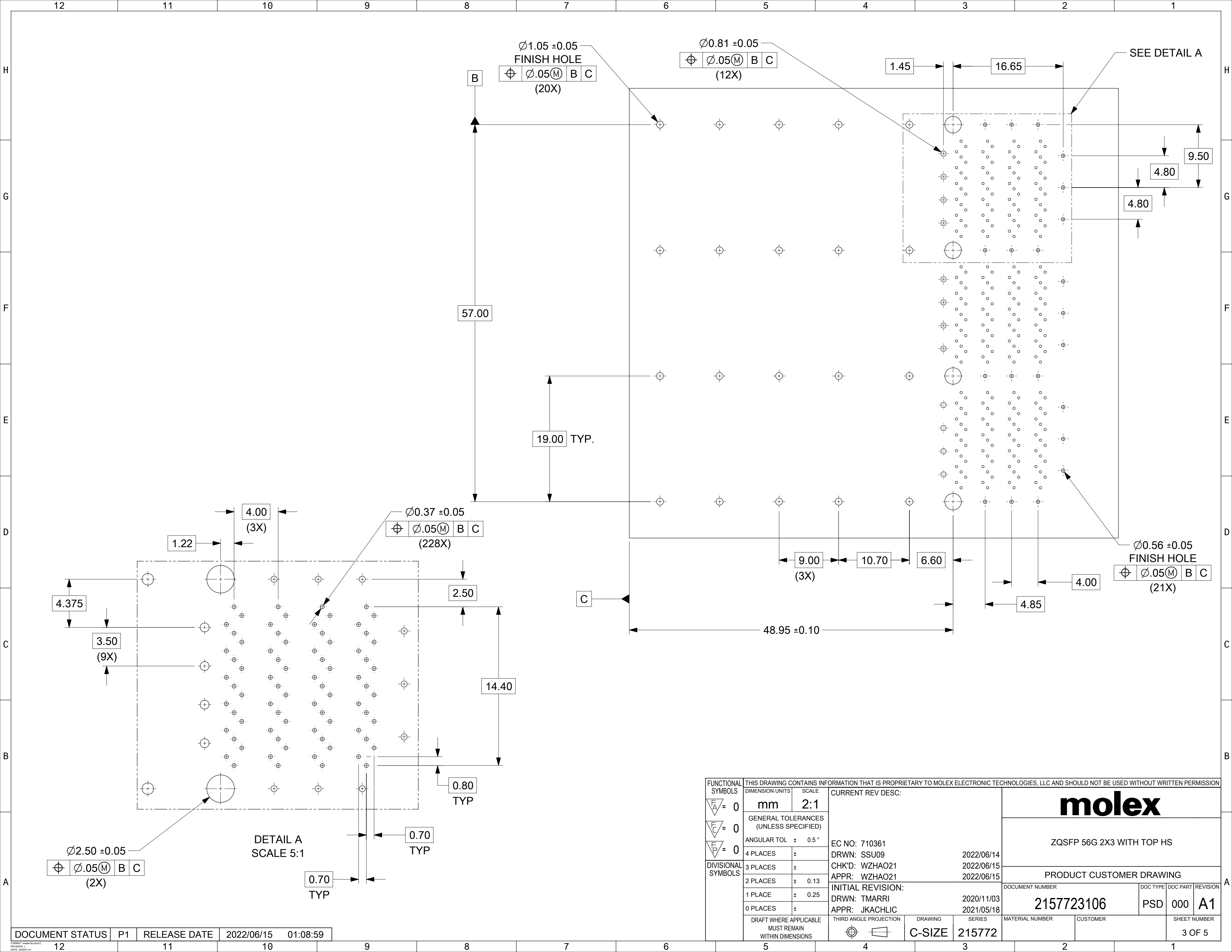
molex

ZQSFP 56G 2X3 WITH TOP HS

PRODUCT CUSTOMER DRAWING

2157723106

PSD 000 A1



Ø1.05 ±0.05
FINISH HOLE
⊕ Ø.05(M) B C
(20X)

Ø0.81 ±0.05
⊕ Ø.05(M) B C
(12X)

SEE DETAIL A

57.00

19.00 TYP.

Ø0.37 ±0.05
⊕ Ø.05(M) B C
(228X)

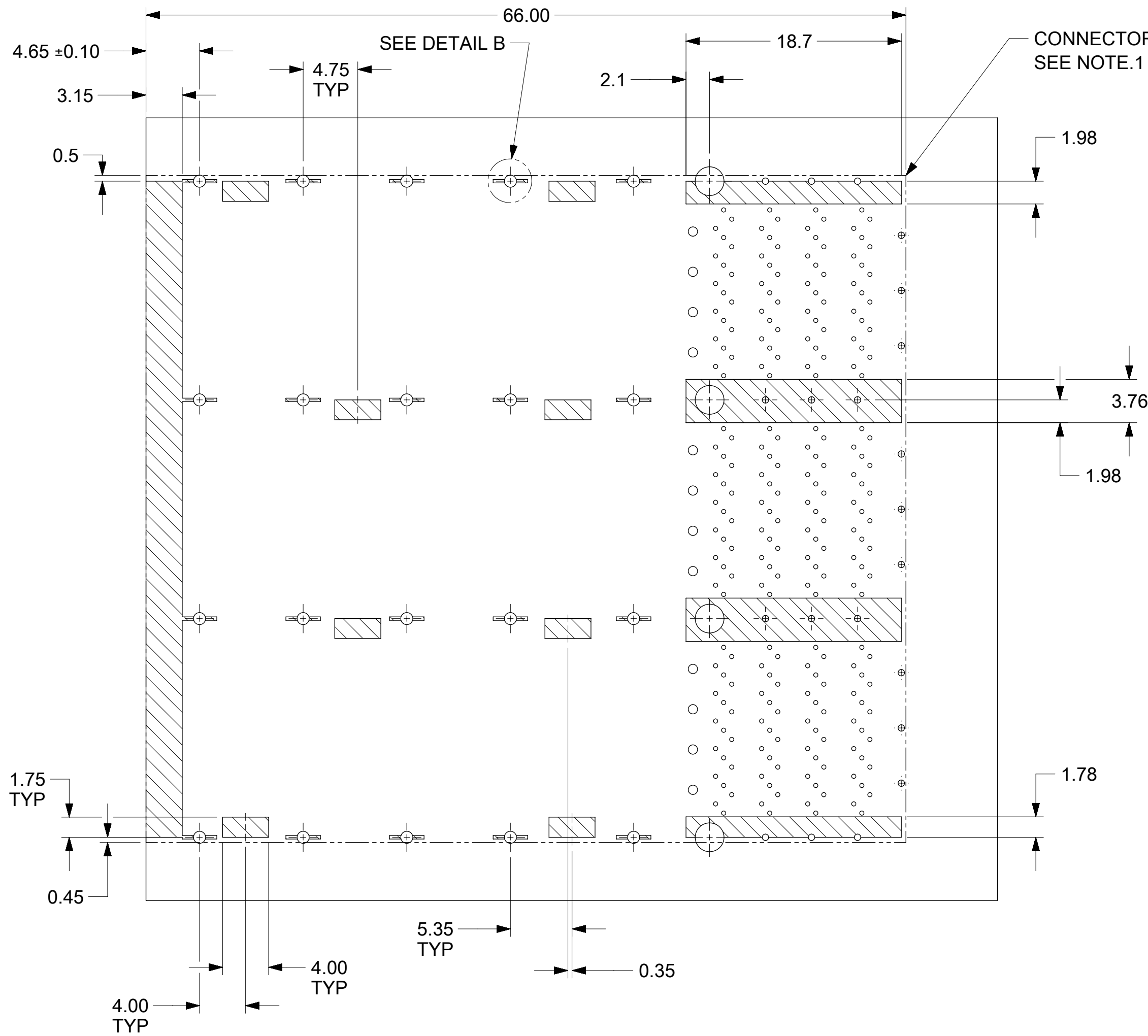
Ø0.56 ±0.05
FINISH HOLE
⊕ Ø.05(M) B C
(21X)

DETAIL A
SCALE 5:1

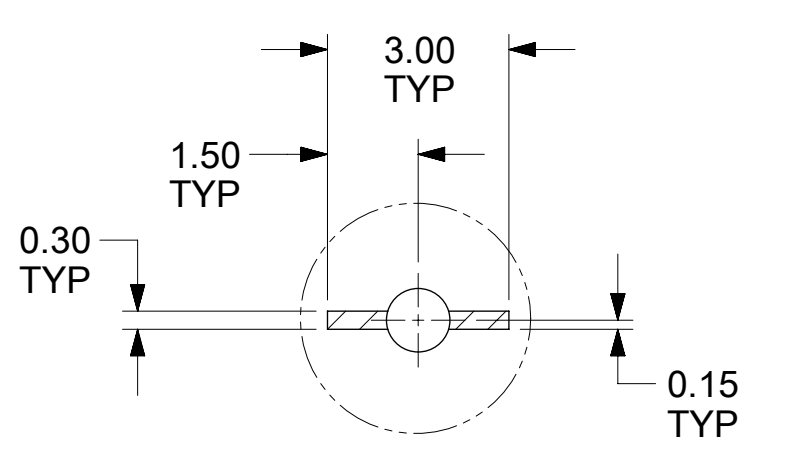
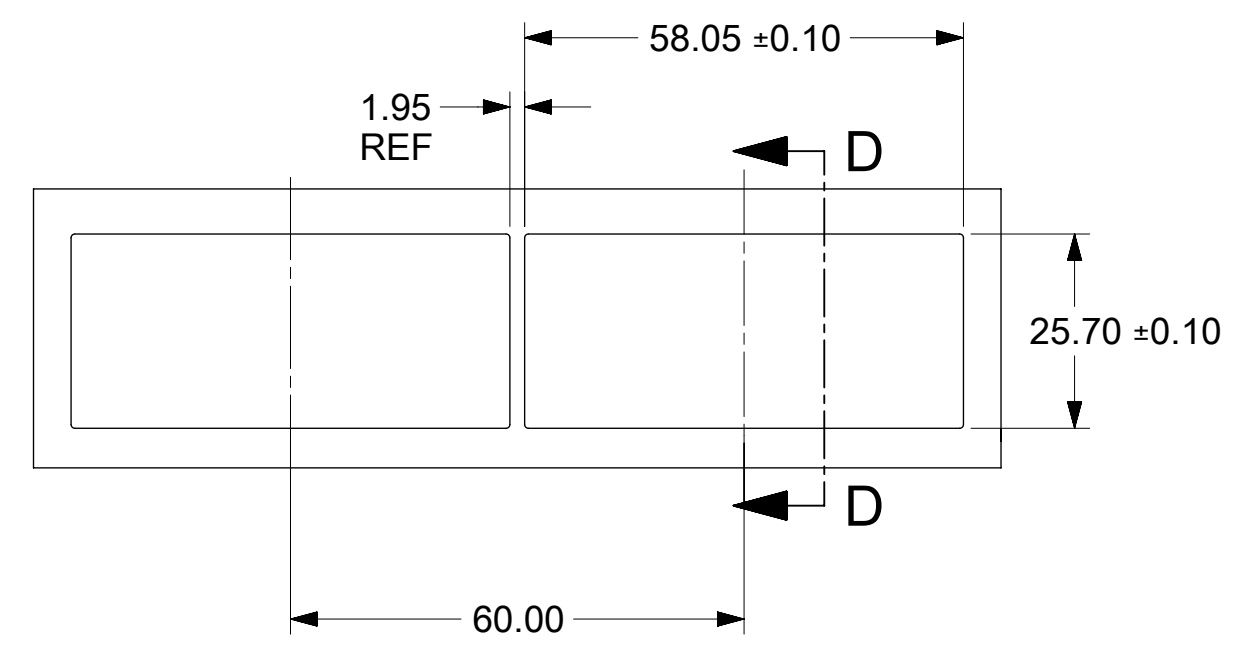
Ø2.50 ±0.05
⊕ Ø.05(M) B C
(2X)

FUNCTIONAL SYMBOLS	THIS DRAWING CONTAINS INFORMATION THAT IS PROPRIETARY TO MOLEX ELECTRONIC TECHNOLOGIES, LLC AND SHOULD NOT BE USED WITHOUT WRITTEN PERMISSION		CURRENT REV DESC:											
	DIMENSION UNITS	SCALE												
FA = 0	mm	2:1	EC NO: 710361 DRWN: SSU09 CHK'D: WZHAO21 APPR: WZHAO21 INITIAL REVISION: DRWN: TMARRI APPR: JKACHLIC		2022/06/14			ZQSFP 56G 2X3 WITH TOP HS						
GENERAL TOLERANCES (UNLESS SPECIFIED)	ANGULAR TOL ± 0.5°				2022/06/15			PRODUCT CUSTOMER DRAWING						
4 PLACES ±	3 PLACES ±				2022/06/15			DOCUMENT NUMBER						
2 PLACES ± 0.13	1 PLACE ± 0.25				2020/11/03			2157723106						
0 PLACES ±	DRAFT WHERE APPLICABLE MUST REMAIN WITHIN DIMENSIONS		THIRD ANGLE PROJECTION		DRAWING		SERIES		MATERIAL NUMBER		CUSTOMER		SHEET NUMBER	
					C-SIZE		215772						3 OF 5	

DOCUMENT STATUS	P1	RELEASE DATE	2022/06/15	01:08:59
-----------------	----	--------------	------------	----------

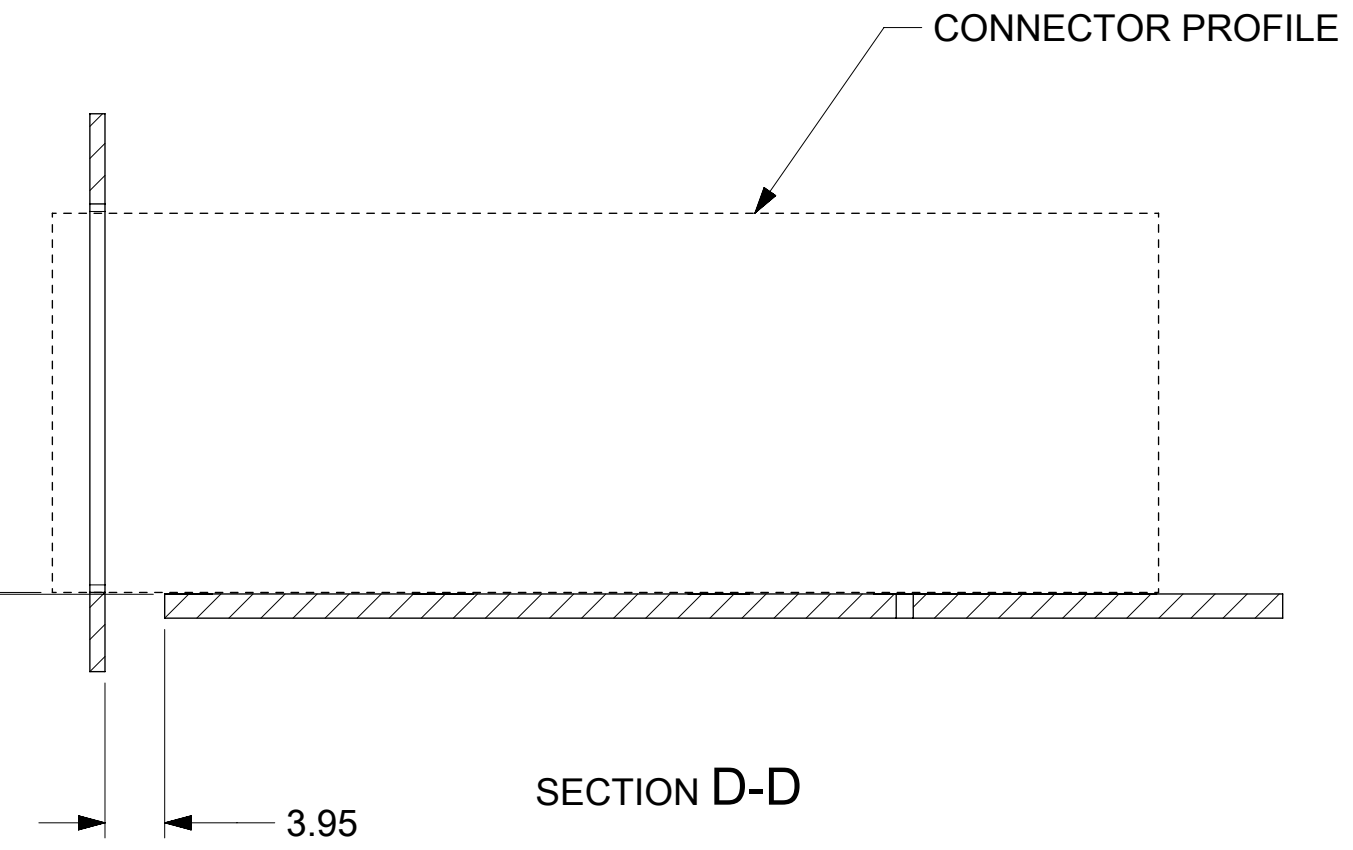


PANEL OPENING AND CONNECTOR SPACING RECOMMENDATIONS



DETAIL B
SCALE 8:1

0.1 ±0.1
PCB TOP SURFACE
TO PANEL OPENING



- NOTES:
1. THE ENTIRE AREA UNDER THE CONNECTOR IS A COMPONENT KEEP OUT ZONE.
2. CROSS-HATCHED AREAS INDICATE PLACES WHERE THE PLASTIC HOUSING AND METAL CAGE MAY BE IN CONTACT WITH THE PCB SURFACE. THESE AREAS ARE THE TRACE KEEP-OUT ZONES.

FUNCTIONAL SYMBOLS	THIS DRAWING CONTAINS INFORMATION THAT IS PROPRIETARY TO MOLEX ELECTRONIC TECHNOLOGIES, LLC AND SHOULD NOT BE USED WITHOUT WRITTEN PERMISSION		CURRENT REV DESC:		molex				
	DIMENSION UNITS	SCALE							
$\nabla_A = 0$	mm	3:1			ZQSFP 56G 2X3 WITH TOP HS				
$\nabla_C = 0$	GENERAL TOLERANCES (UNLESS SPECIFIED)								
$\nabla_P = 0$	ANGULAR TOL ± 0.5°				PRODUCT CUSTOMER DRAWING				
DIVISIONAL SYMBOLS	4 PLACES	±	EC NO: 710361	2022/06/14					
	3 PLACES	±	DRWN: SSU09	2022/06/15					
	2 PLACES	± 0.13	CHK'D: WZHAO21	2022/06/15					
	1 PLACE	± 0.25	APPR: WZHAO21	2022/06/15					
0 PLACES	±	INITIAL REVISION:			DOCUMENT NUMBER	DOC TYPE	DOC PART	REVISION	
DRAFT WHERE APPLICABLE MUST REMAIN WITHIN DIMENSIONS		THIRD ANGLE PROJECTION	DRAWING	SERIES	MATERIAL NUMBER	CUSTOMER	SHEET NUMBER		
			C-SIZE	215772	2157723106		PSD	000	A1
									4 OF 5

H
G
F
E
D
C
B
A

REVISION HISTORY		
DATE	REV.	DESCRIPTION
2020/11/03	1	INITIAL RELEASE
2022/06/14	A1	UPDATE DRAWING TO GENERA MARKET

FUNCTIONAL SYMBOLS = 0 = 0 = 0 DIVISIONAL SYMBOLS 4 PLACES ± 3 PLACES ± 2 PLACES ± 0.13 1 PLACE ± 0.25 0 PLACES ± DRAFT WHERE APPLICABLE MUST REMAIN WITHIN DIMENSIONS	THIS DRAWING CONTAINS INFORMATION THAT IS PROPRIETARY TO MOLEX ELECTRONIC TECHNOLOGIES, LLC AND SHOULD NOT BE USED WITHOUT WRITTEN PERMISSION		DIMENSION UNITS: mm SCALE: 1:1		CURRENT REV DESC: EC NO: 710361 DRWN: SSU09 CHK'D: WZHAO21 APPR: WZHAO21		 ZQSFP 56G 2X3 WITH TOP HS PRODUCT CUSTOMER DRAWING	
	GENERAL TOLERANCES (UNLESS SPECIFIED) ANGULAR TOL ± 0.5°		2022/06/14 2022/06/15 2022/06/15		INITIAL REVISION: DRWN: TMARRI APPR: JKACHLIC			
THIRD ANGLE PROJECTION 		DRAWING: C-SIZE SERIES: 215772		MATERIAL NUMBER: _____ CUSTOMER: _____		SHEET NUMBER: 5 OF 5		