

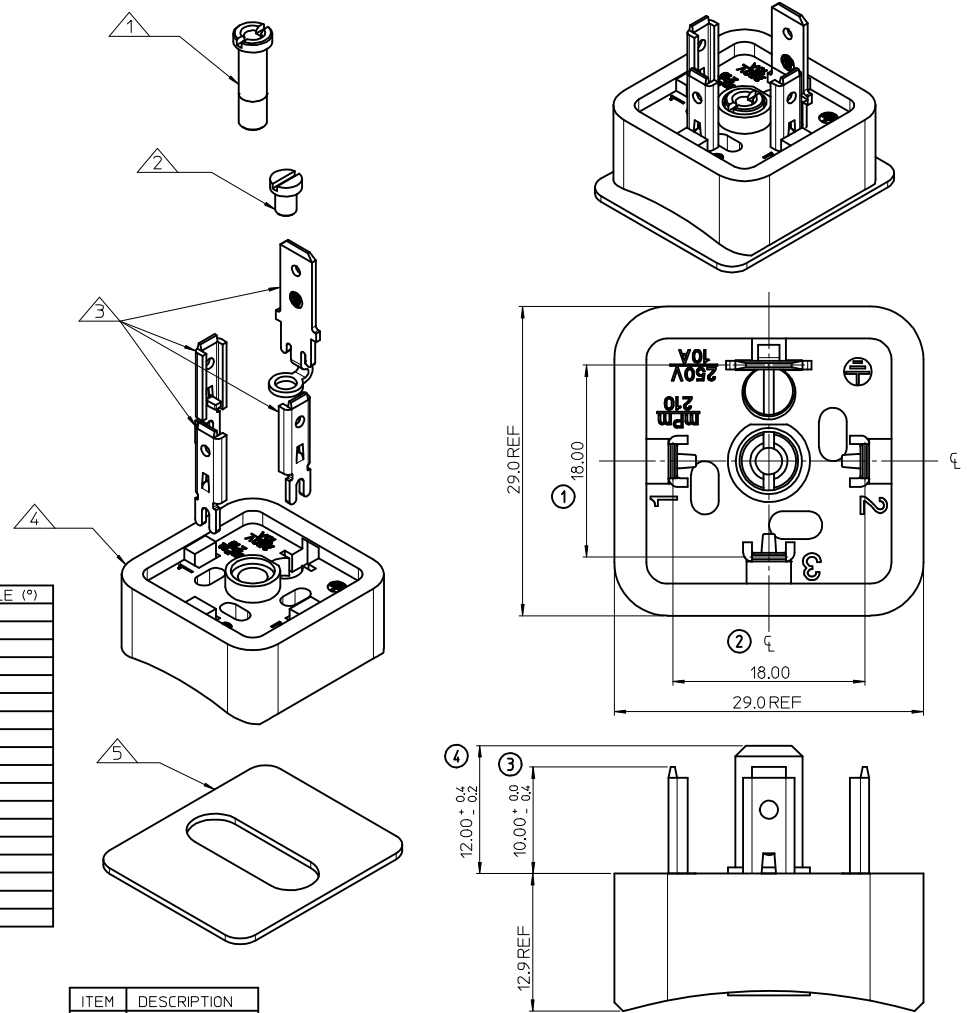
B212100N2**

SERIES _____
 B21= FORM A
 POLES _____
 2= 2 POLE & 3= 3 POLE
 CURVED BASE DIAMETER _____
 040= Ø40, 045= Ø45, 050= Ø50, 060= Ø60, 080= Ø80, 100= Ø100, 160= Ø160,
 MATERIAL AND HOUSING COLOUR _____
 G= PA6 GRAY, N= PA6 BLACK, W= PA6 BLACK V0, T= TRANSPARENT
 SCREW AND GASKET _____
 2= NBR FLAT GASKET & SCREWS
 4= SILICON FLAT GASKET & SCREWS
 NON STANDARD COMPONENTS _____
 SA= UL LISTED

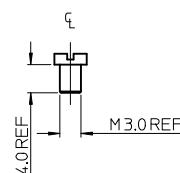
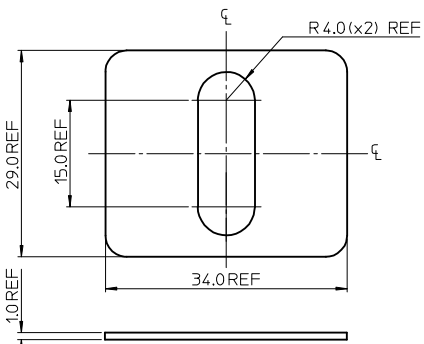
- NOTES
 1. PLEASE SEE TABLE FOR CURRENTLY CONFIGURED PART NUMBERS.
 FOR SPECIFIC PART NUMBERS PLEASE CONTACT SALES OR CONSULT THE INTELLIGENT PART NUMBERS IN THE TABLE ATTACHED.
 3. FOR PACKAGING SEE PACKAGING SPEC PK-121013-B21
 4. PRODUCT SPEC: SEE PS-121201-001
 4. TERMINALS BENT AFTER INSERTION FOR BEND ANGLE SEE TABLE

LAST INSPECTION NUMBER 4

PART No.	mPm PART No.	DESCRIPTION	TERMINAL BEND ANGLE (°)
1210120025	B212040N2	TYPE A 2P BLACK, Ø40 NBR FLAT GASKET & SCREWS	180
1210120027	B212045N4	TYPE A 2P BLACK, Ø45 SILICON FLAT GASKET & SCREWS	180
1210120029	B212060N2	TYPE A 2P BLACK, Ø60 NBR FLAT GASKET & SCREWS	180
1210120030	B212060N4	TYPE A 2P BLACK, Ø60 SILICON FLAT GASKET & SCREWS	180
1210120032	B212080N2	TYPE A 2P BLACK, Ø80 NBR FLAT GASKET & SCREWS	180
1210120026	B212045N2	TYPE A 2P BLACK, Ø45 NBR FLAT GASKET & SCREWS	180
1210120028	B212050N2	TYPE A 2P BLACK, Ø50 NBR FLAT GASKET & SCREWS	180
1210120045	B213160N2	TYPE A 3P BLACK, Ø160 NBR FLAT GASKET & SCREWS	180
1210120042	B213060N2	TYPE A 3P BLACK, Ø60 NBR FLAT GASKET & SCREWS	180
1210120040	B213050N2	TYPE A 3P BLACK, Ø50 NBR FLAT GASKET & SCREWS	180
1210120033	B212080N4	TYPE A 2P BLACK, Ø80 SILICON FLAT GASKET & SCREWS	180
1210120034	B212100N2	TYPE A 2P BLACK, Ø100 NBR FLAT GASKET & SCREWS	180
1210120036	B212160N2	TYPE A 2P BLACK, Ø160 NBR FLAT GASKET & SCREWS	180
1210120037	B213040N2	TYPE A 3P BLACK, Ø40 NBR FLAT GASKET & SCREWS	180
1210120044	B213100N2	TYPE A 3P BLACK, Ø100 NBR FLAT GASKET & SCREWS	180
1210120141	B212050N4	TYPE A 2P BLACK, Ø50 SILICON FLAT GASKET & SCREWS	180
1210120149	B212160N4	TYPE A 2P BLACK, Ø160 SILICON FLAT GASKET & SCREWS	180
1210120183	B212050W2SA	TYPE A 2P BLACK, Ø50 NBR FLAT GASKET & SCREWS, UL LISTED	180



ITEM	DESCRIPTION
1	INSERT
2	EARTH SCREW
3	TERMINALS
4	HOUSING
5	GASKET



ADDED PART NUMBER EC NO: IFC2014-1836 DRW: NSHEA 2014/04/22 CHKD: SMCREVEY 2014/04/23 APPR: STGERLFIN 2014/05/06	QUALITY SYMBOLS ▽=0 ▽=0	GENERAL TOLERANCES (UNLESS SPECIFIED) <table border="1"> <thead> <tr> <th></th> <th>mm</th> <th>INCH</th> </tr> </thead> <tbody> <tr><td>4 PLACES</td><td>± ---</td><td>± ---</td></tr> <tr><td>3 PLACES</td><td>± ---</td><td>± ---</td></tr> <tr><td>2 PLACES</td><td>± 0.1</td><td>± ---</td></tr> <tr><td>1 PLACE</td><td>± 0.2</td><td>± ---</td></tr> </tbody> </table> ANGULAR ± ---°		mm	INCH	4 PLACES	± ---	± ---	3 PLACES	± ---	± ---	2 PLACES	± 0.1	± ---	1 PLACE	± 0.2	± ---	DIMENSION STYLE MM ONLY	SCALE 3:1	DESIGN UNITS METRIC	THIRD ANGLE PROJECTION
			mm	INCH																	
4 PLACES	± ---	± ---																			
3 PLACES	± ---	± ---																			
2 PLACES	± 0.1	± ---																			
1 PLACE	± 0.2	± ---																			
DRAWN BY JOCONNOR CHECKED BY DMAHER APPROVED BY EFOLAN	DATE 2011/06/22 DATE 2011/06/22 DATE 2011/07/12	TITLE B21 SERIES BASE	MOLEX INCORPORATED																		
DRAFT WHERE APPLICABLE MUST REMAIN WITHIN DIMENSIONS		MATERIAL NO. SEE CHART	DOCUMENT NO. SD-121012-004	SHEET NO. 1 OF 1																	
THIS DRAWING CONTAINS INFORMATION THAT IS PROPRIETARY TO MOLEX INCORPORATED AND SHOULD NOT BE USED WITHOUT WRITTEN PERMISSION																					