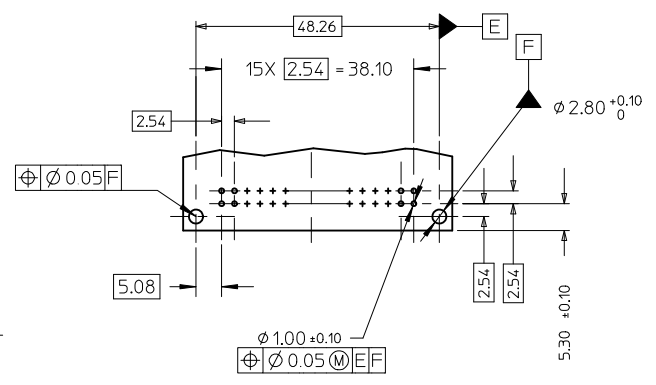
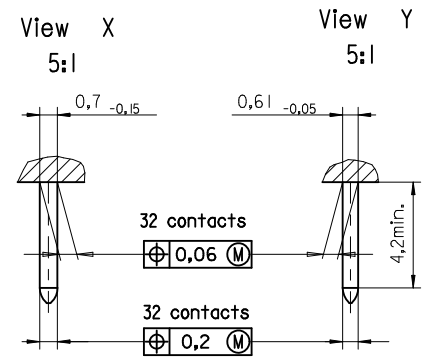


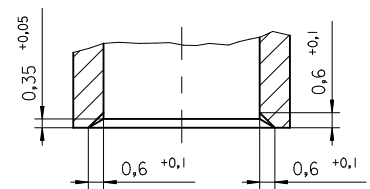
RECOMMENDED PCB LAYOUT
COMPONENT SIDE



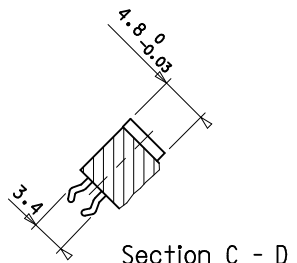
RECOMMENDED PCB THICKNESS - 1.6MM



Section A - B
5:1



Section C - D



ENTER DESCRIPTION EC NO: 12011-0346 DRWN: VUTTARKAR 2011/08/31 CHKD: KRASAD APPR: KRASAD 2011/09/02	QUALITY SYMBOLS $\nabla_{F/A} = 0$ $\nabla_{F/C} = 0$ $\nabla_{F/D} = 0$	GENERAL TOLERANCES (UNLESS SPECIFIED)		DIMENSION STYLE MM ONLY	SCALE ---	DESIGN UNITS METRIC	FIRST ANGLE PROJECTION		
		4 PLACES ± --- ± --- 3 PLACES ± --- ± --- 2 PLACES ± --- ± --- 1 PLACE ± --- ± ---	mm INCH	DRAWN BY VUTTARKAR	DATE ---	TITLE 32POS. MALE CONNECTOR ACC. DIN 41612 STYLE B/2 DIMENSIONS			
		ANGULAR ± ---°		CHECKED BY KRASAD	DATE ---	MOLEX INCORPORATED			
		DRAFT WHERE APPLICABLE MUST REMAIN WITHIN DIMENSIONS		APPROVED BY ---	DATE ---	MATERIAL NO. ---	DOCUMENT NO. SDA-85001-0002	SHEET NO. 1 OF 01	

VIEW ON MATING SIDE

∞	B	B	B	B	B	B	B	B	B	B	B	B	B	B	B	B
◁	A	A	A	A	A	A	A	A	A	A	A	A	A	A	A	A

1 2 3 4 5 6 7 8 9 10 11 12 13 14 15 16 17 18 19 20 21 22 23 24 25 26 27 28 29 30 31 32

A = 16 STANDARD CONTACTS L=3

B = 16 STANDARD CONTACTS L=3

S = 32 TOTAL NUMBER OF CONTACTS

Marking	Standard
Performance level	G2/0 = Contact area level2 / Termination tin
Flux proof	no
Fixing clip	yes
Dimensions	SDA-85001-0002 sht.1
Technical Data	PS-85003-0001

B	G2/0
A	G2/0
Contact symbol	Perform. level
	Contact position number

C	see ECN No. 2204
	96/07/18 Cd
LTR	REVISIONS
	FOR PREVIOUS REVISIONS SEE MRI LIST

UNLESS OTHERWISE SPECIFIED TOLERANCES: ANGULAR ± 2°	DRAWG BY Cc	SIGN	CAD/CAM PROJECT NAME S8500100 S71	REVISE ONLY ON CAD SYSTEM	SH. REV.
3 PLACE ± .	±				
2 PLACE ± .	±				
1 PLACE ± .	±				
DRAFT WHERE APPLICABLE MUST REMAIN WITHIN DIMENSIONS			TITLE 32 pos. Male connector acc. DIN 41612 style B/2 contacts arrangement		
DESIGN DIMENSION		<input type="checkbox"/> MM	SHEET NO. DATE		
EQUIVALENT DIMENSION		<input type="checkbox"/> IN.	1 OF 1 95/06/19		
SCALE			DWG NO. SDA-85001-0074		
PART NO. 85001-0074			SIZE A		

IF TWO DIMENSIONS ARE SHOWN, THE UPPER IS THE DESIGN DIMENSION, LOWER IS SECONDARY