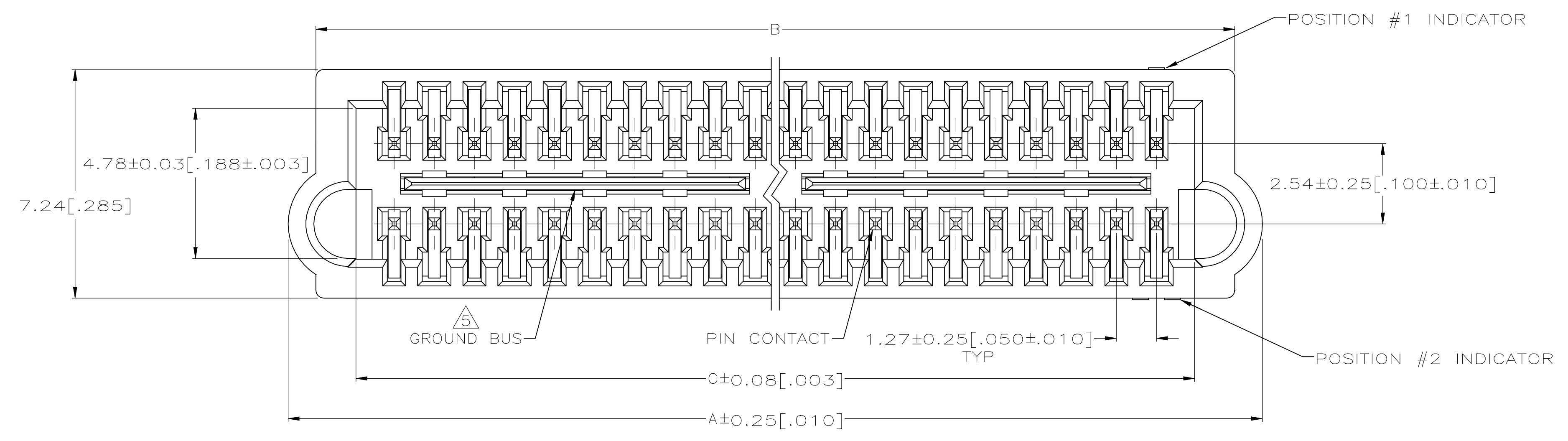
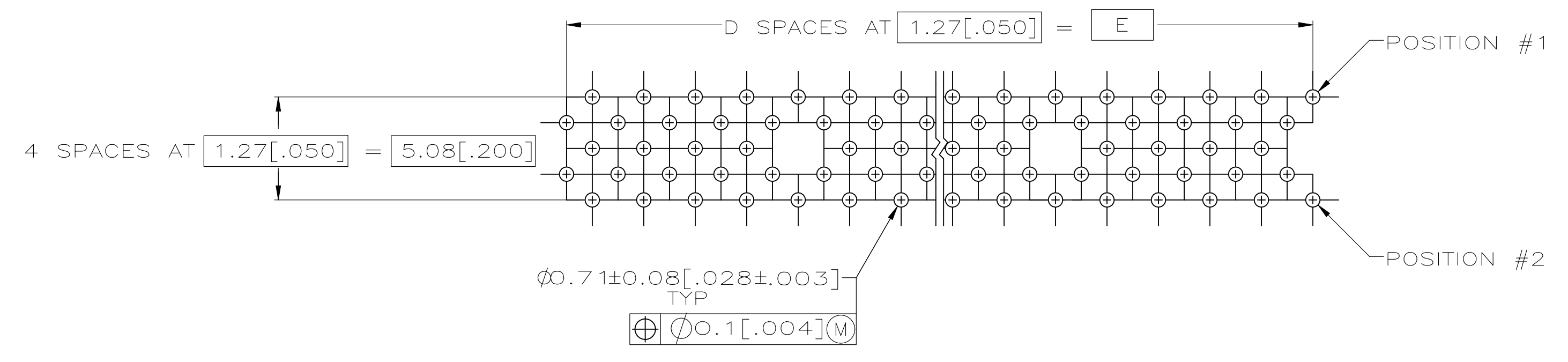
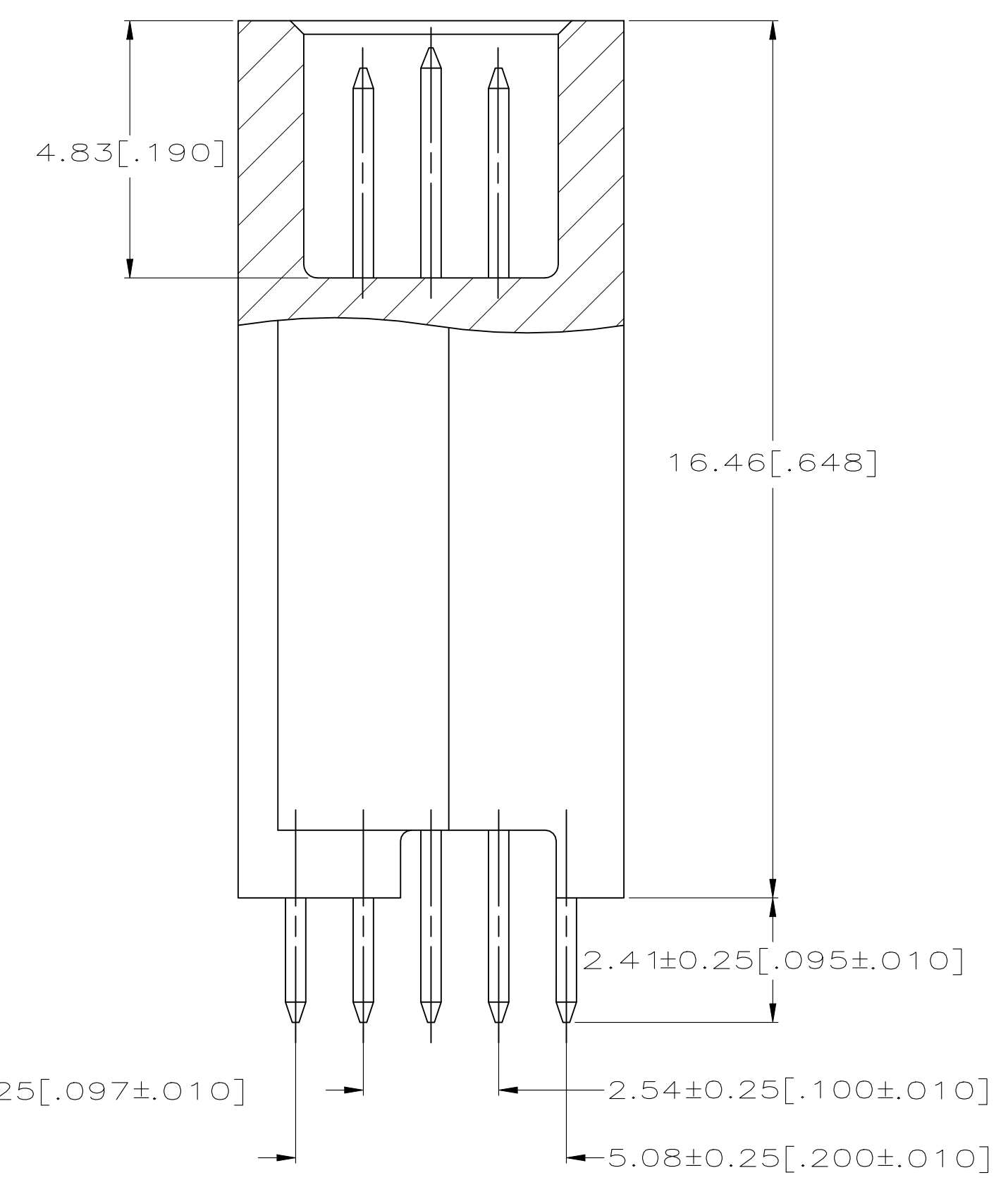
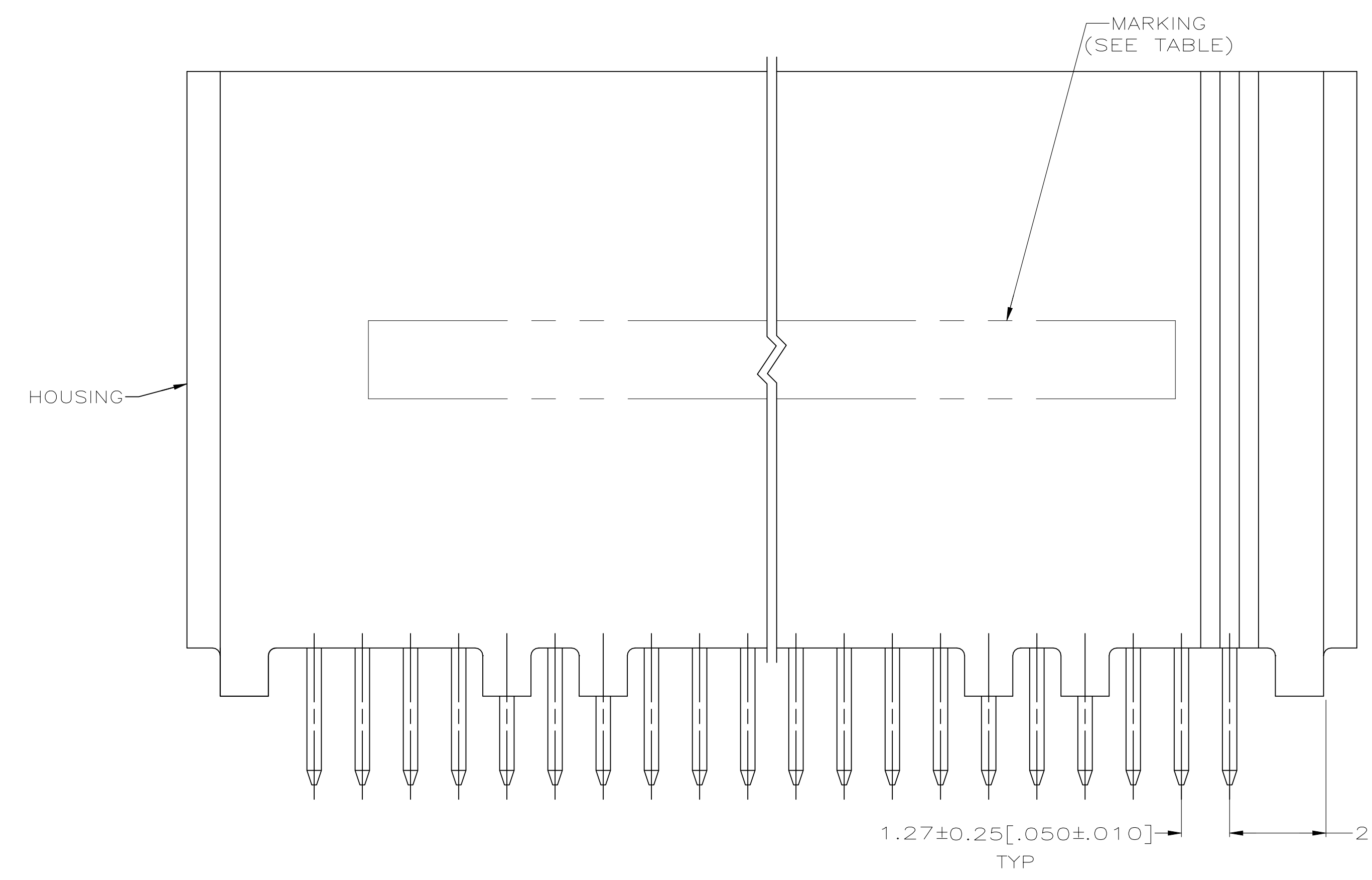


REVISIONS					
P	LTR	DESCRIPTION	DATE	DRN	APVD
S		REVISED PER ECO-20-011414	04JAN2021	AP	SY



- ① HOUSING: HIGH TEMPERATURE THERMOPLASTIC, COLOR: NATURAL OR LIGHT NATURAL.
PIN CONTACTS: PHOSPHOR BRONZE.
GROUND BUSSES: PHOSPHOR BRONZE.
- ② CONTACTS & GROUND BUSES: 0.00076(0.00030) MIN. GOLD PER ASTM B 488 ON CONTACT AREA, 0.00254-0.00762(0.00100-.000300) MATTE TIN PER ASTM B 545 ON SOLDER TAIL, ALL OVER 0.00127-0.00254(0.000050-.000100) MATTE NICKEL PER SAE AMS-QQ-N-290 ON ENTIRE CONTACT.
- ③ AMP AND DATE CODE MARKED IN AREA INDICATED, ON SAME SIDE AS POSITION NUMBER 2 INDICATOR.
- ④ AMP, DATE CODE AND PART NUMBER MARKED IN AREA INDICATED, ON SAME SIDE AS POSITION NUMBER 2 INDICATOR.
- ⑤ ONE GROUND BUS WITH 4 TAILS PER EACH 20 PIN CONTACTS.



RECOMMENDED PC BOARD HOLE LAYOUT
(VIEWED FROM CONNECTOR SIDE)

OBSOLETE	③	125.73 [4.950]	99	128.22 [5.048]	130.81 [5.150]	132.44 [5.214]	200	5149009-9
OBSOLETE	③	113.03 [4.450]	89	115.52 [4.548]	118.11 [4.650]	119.74 [4.714]	180	5149009-8
OBSOLETE	③	100.33 [3.950]	79	102.82 [4.048]	105.41 [4.150]	107.04 [4.214]	160	5149009-7
OBSOLETE	③	87.63 [3.450]	69	90.12 [3.548]	92.71 [3.650]	94.34 [3.714]	140	5149009-6
OBSOLETE	③	74.93 [2.950]	59	77.42 [3.048]	80.01 [3.150]	81.64 [3.214]	120	5149009-5
OBSOLETE	④	62.23 [2.450]	49	64.72 [2.548]	67.31 [2.650]	68.94 [2.714]	100	5149009-4
OBSOLETE	③	49.53 [1.950]	39	52.02 [2.048]	54.61 [2.150]	56.24 [2.214]	80	5149009-3
OBSOLETE	③	36.83 [1.450]	29	39.32 [1.548]	41.91 [1.650]	43.54 [1.714]	60	5149009-2
OBSOLETE	③	24.13 [0.950]	19	26.62 [1.048]	29.21 [1.150]	30.84 [1.214]	40	5149009-1
MARKING		E	D	C	B	A	NO OF POS	PART NUMBER

THIS DRAWING IS A CONTROLLED DOCUMENT.

DIMENSIONS: mm [INCHES]	TOLERANCES UNLESS OTHERWISE SPECIFIED:	DIN L VARELA 01-19-05	CHK D DIXON 01-19-05	APVD D DIXON 01-19-05	NAME
0. PLC ± -	1. PLC ± -	PLUG ASSEMBLY, 18.75[.738] STACK, 2.41[.095] TAIL, BOARD TO BOARD, MICROSTRIP			
2. PLC ± -	3. PLC ± 0.13[.005]	APPLICATION SPEC 108-1272			
4. PLC ± -	ANGLES ± -	SIZE CAGE CODE DRAWING NO RESTRICTED TO			
MATERIAL ①	FINISH ②	WEIGHT 0.000000 A1 00779 C=5149009			
CUSTOMER DRAWING		SCALE 10:1		SHEET 1 of 1 REV S	