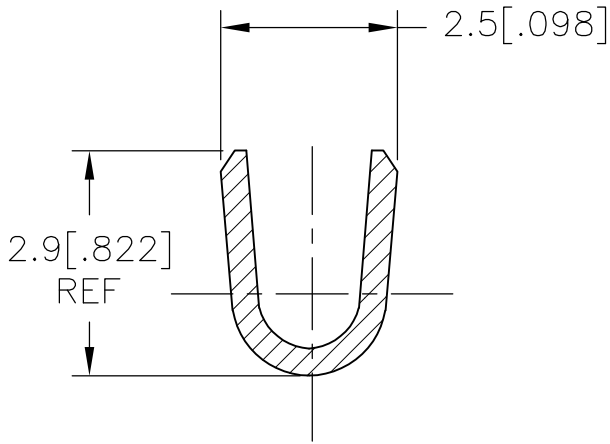
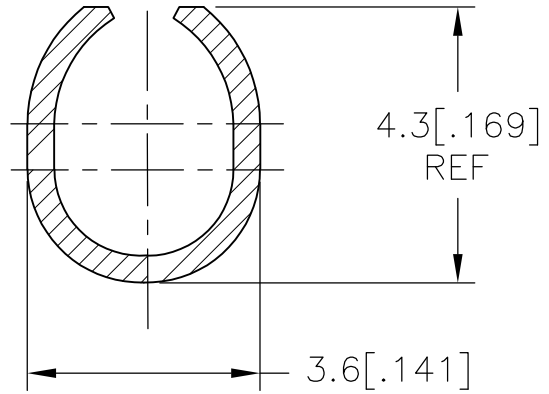


REVISIONS				
P	LTR	DESCRIPTION	DATE	APVD
	A	NEW DRAWING	21NOV2016	RS TD



WIRE BARREL



INSULATION BARREL

OBSOLETE	PRE TINNED	BRASS	160691-7	<del>927899-8</del>	A
OBSOLETE	PRE TINNED	PHBRONZE	160691-7	<del>927899-7</del>	A
OBSOLETE	UNPLATED	PHBRONZE	160691-6	<del>927899-6</del>	A
OBSOLETE	SILVER PLATED	BRASS	160691-5	<del>927899-5</del>	A
OBSOLETE	TIN PLATED	PHBRONZE	160691-4	<del>927899-4</del>	A
OBSOLETE	UNPLATED	PHBRONZE	160691-3	<del>927899-3</del>	A
	TIN PLATED	BRASS	160691-2	927899-2	A
OBSOLETE	UNPLATED	BRASS	160691-1	<del>927899-1</del>	A
	FINISH	MATERIAL	STRIP NO.	PART NO.	REV.

RELEASED FOR PUBLICATION

ALL RIGHTS RESERVED.

THIS DRAWING IS UNPUBLISHED.

COPYRIGHT - By -

DIMENSIONS:  
mm [INCHES]

DWN RAVI S 21NOV2016

MATERIAL SEE TABLE

FINISH SEE TABLE

TOLERANCES UNLESS OTHERWISE SPECIFIED:

CHK LI DAISY 21NOV2016

APVD DING TIM 21NOV2016



TE Connectivity

PRODUCT SPEC  
0.3-0.8 mm<sup>2</sup>

NAME  
.250 SERIES FASTIN-ON TAB ACC.  
TO DIN (LOOSE PIECE)

APPLICATION SPEC  
ø2.1-3.1 mm

SIZE	CAGE CODE	DRAWING NO	RESTRICTED TO
A4	00779	C-927899	-

WEIGHT -

CUSTOMER DRAWING

SCALE 1:1 SHEET 1 OF 1

REV A

