



Hazardous Locations Fanless Extended Temperature Box PC with Intel® Celeron® N2930 Processor



Extended Temperature
 316 Stainless Steel
 Class1Div2

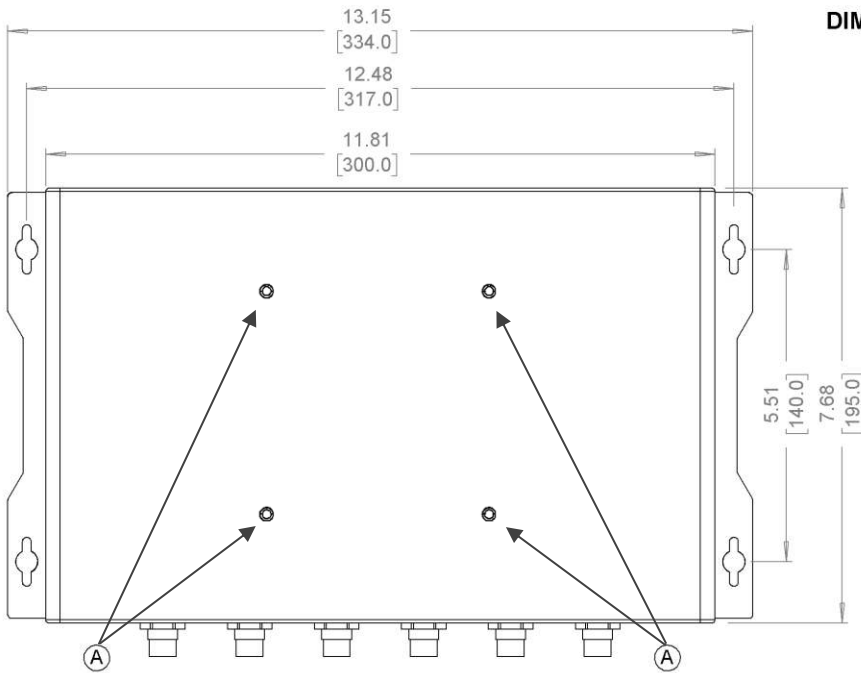
- CSA C1D2, C2D2, C3, ATEX / IECEx Zone 2, Zone 22 Certified for Use in Harsh Environments
- Extended Operating Temperature (-20~60°C)
- 316 Stainless Steel Chassis with IP66 rating on all sides
- Wall or VESA-100 x 100 mm Mountable
- Microsoft Windows® 10 IoT 2019 Operating System

System	CPU	Intel® Celeron™ N2930 Quad-Core 1.83GHz Processor
	System Chipset	SoC
	System Memory	Onboard DDR3L 8 GB 1333 MHz
I/O Ports	Connector Type	M12, with waterproof cover and tether chain*
	USB	1 x M12 8-pin for 2 x USB 2.0 type A*
	Serial	1 x M12 8-pin for RS-232/422/485, DE-9, COM1 (default RS-232)*
	Audio	N/A
	Display Interface	1 x M12 12-pin for VGA*
	LAN	2 x M12 8-pin for RJ-45*
	Power	1 x M12 3-pin for DC power input (leads)*
	Remote Power Switch	N/A
Storage	Internal Storage Device	1 x 128 GB 2.5" SATA III, MLC SSD 1 x 64 GB mSATA MLC SSD
	SD Card Slot	N/A
Electrical	Input Voltage	9~36 VDC
	Input Current	0.48 ~ 1.9 A
	Input Power (max.)	17.1 W
Mechanical	Dimensions (W x H x D)	13.15 x 7.68 x 1.52 inches [334 x 195 x 38.5 mm]
	Net Weight	Approx. 8.82 lbs. [4.0 kg]
	Mounting	VESA 100 x 100 mm Wall Mount (mounting hardware not included)
Environmental	Operating Temperature	-4~140°F [-20~60°C]
	Storage Temperature	-22~158°F [-30~70°C]
	Storage Humidity	10 to 90% @ 40°C, non-condensing
	Rating	IP66
	Certification	ATEX / IECEx Zone 2 Ex ec ic IIC T4 Gc ATEX / IECEx Zone 22 Ex tc IIIC T135°C Dc Class I Division 2 Group A, B, C, D, T4 Class II Division 2 Group F, G, T135°C Class III ANSI/ISA 12.12-01-2013 CSA Std. C22 No213-1987, C22.2 No.61010 CE / FCC Class A / RoHS
Operating System	Microsoft Windows®	Microsoft Windows® 10 IoT Enterprise 2019 LTSC 64-bit (PKEA)
Notes	* AEx units come provided with the following I/O cables; M12 waterproof connectors for PC side, other end of I/O cable is corresponding specified connector type: <ul style="list-style-type: none"> • 1x DE-9 • 1x VGA • 1x USB 2.0 Type A • 2x RJ-45 I/O cable length: 10', Power cable length: 15' Specifications subject to change without notice.	

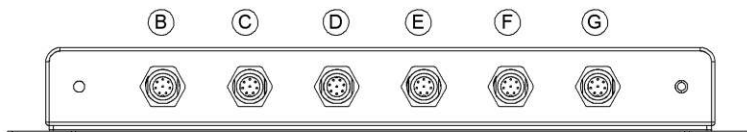
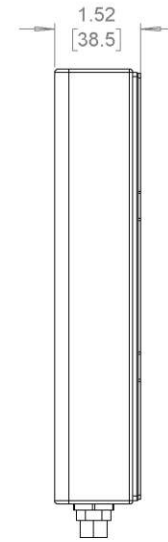
AEx-2410



TOP VIEW



DIMENSIONS ARE IN INCHES [MM]



- A VESA 100 x 100 mm Screw Holes
- B M12 VDC Power Connector
- C M12 LAN Connector
- D M12 USB 2.0 Connector
- E M12 COM1 Connector
- F M12 LAN Connector
- G M12 VGA Connector