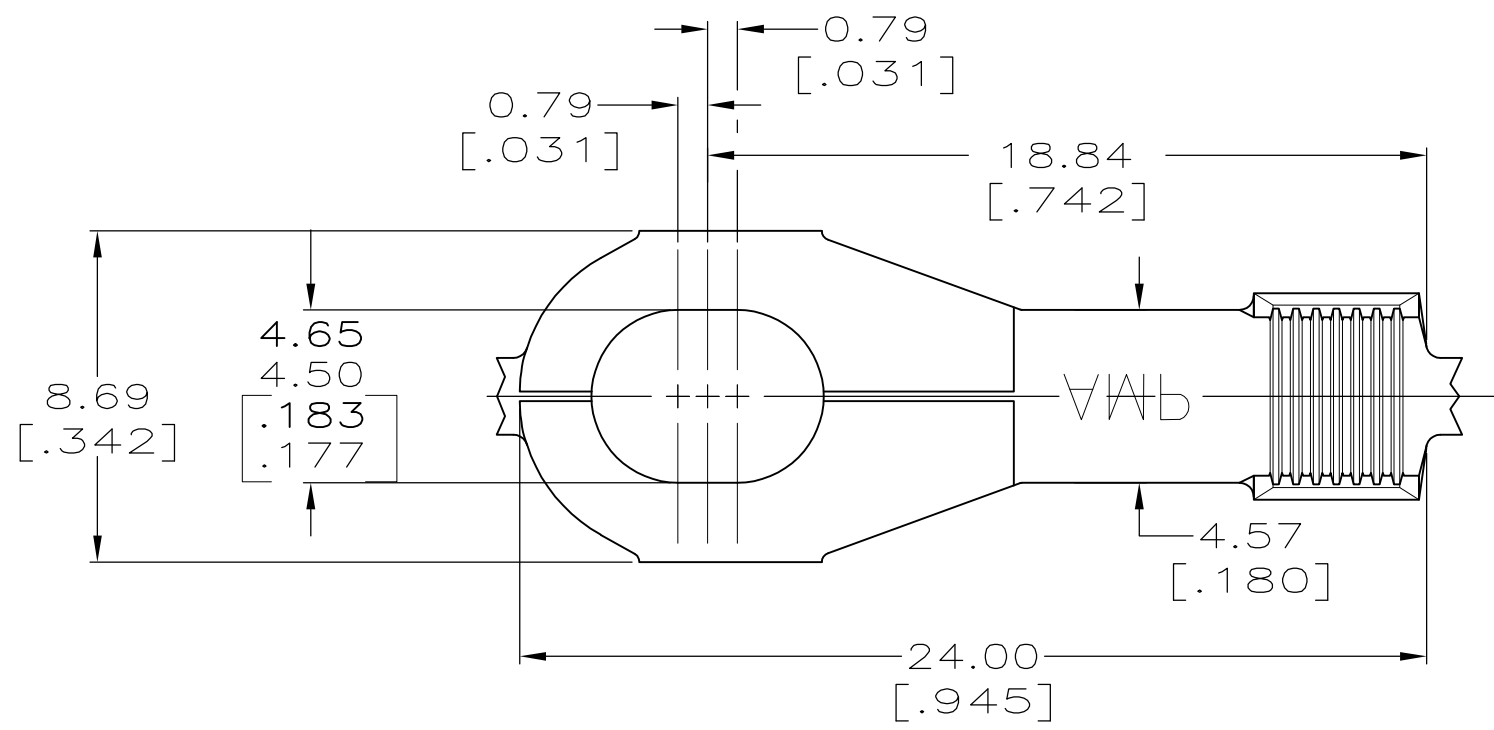
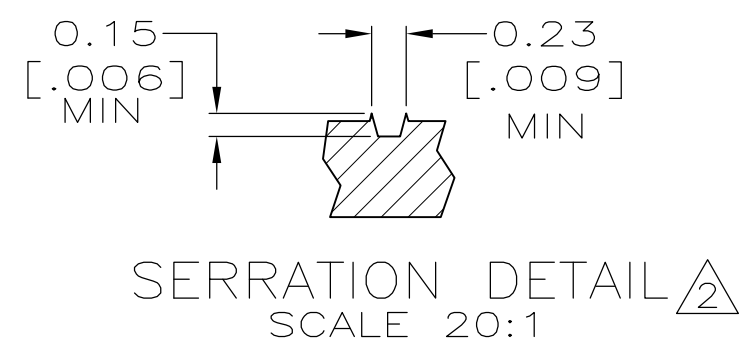
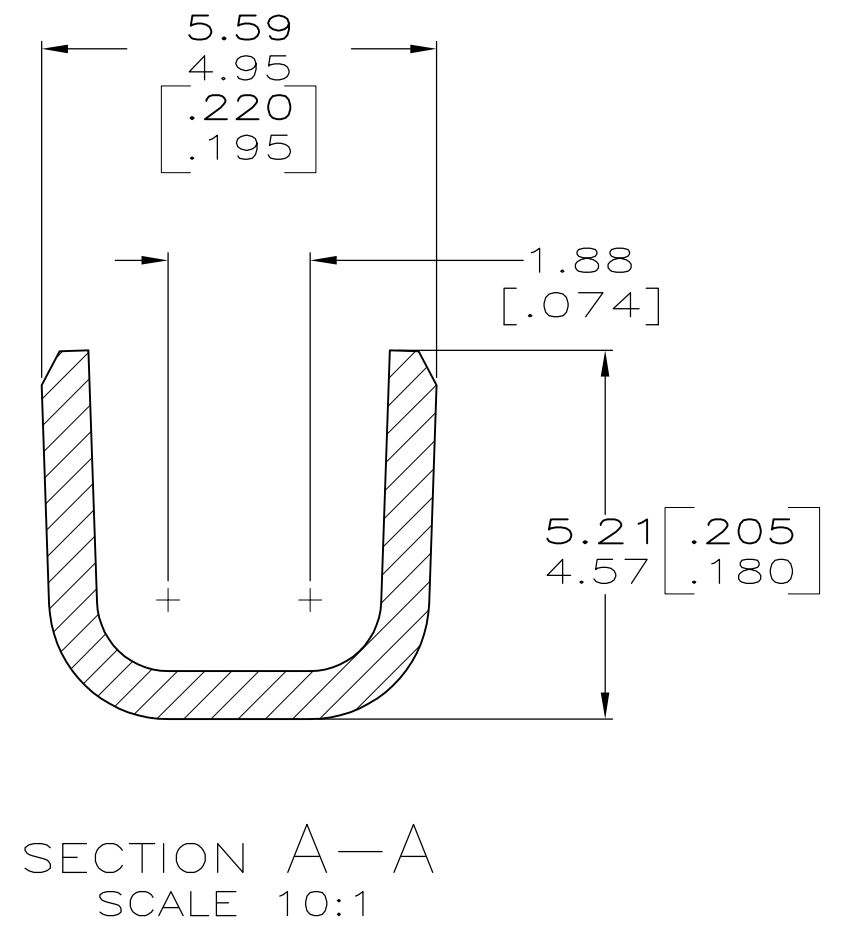
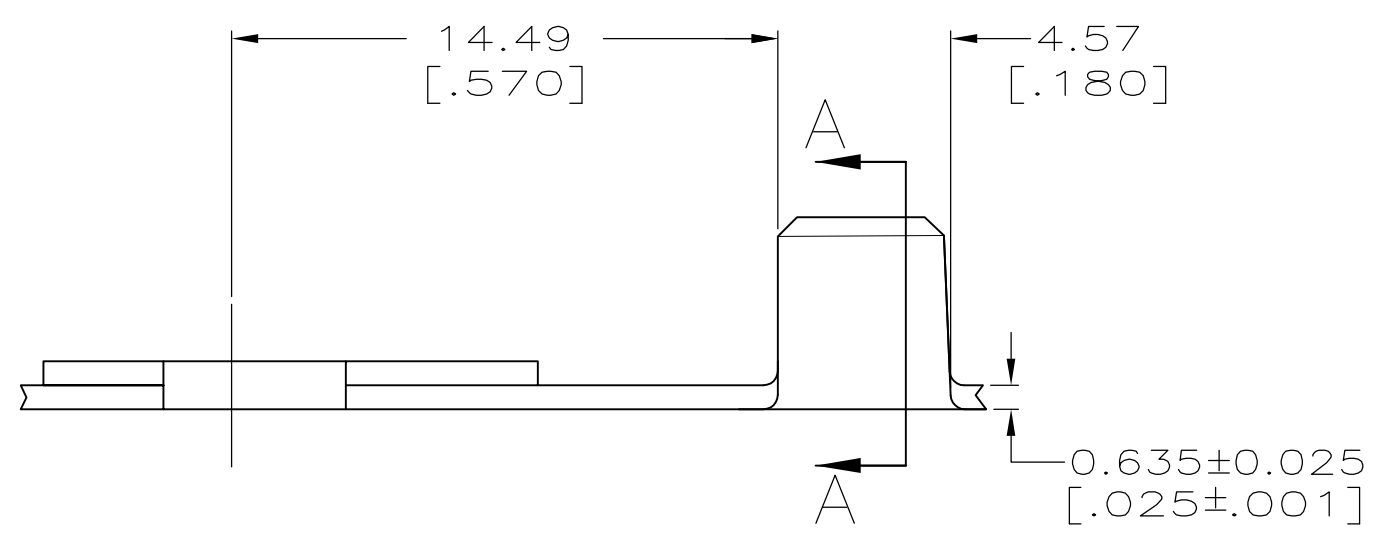


THIS DRAWING IS UNPUBLISHED. RELEASED FOR PUBLICATION
 © COPYRIGHT - By TYCO ELECTRONICS CORPORATION. ALL RIGHTS RESERVED.

LOC	DIST	REVISIONS			
P	LTR	DESCRIPTION	DATE	DWN	APVD
AF	50	F	REVISE PER ECR-13-013738	15FEB2014	GRZ JL



- 1 CONTINUOUS STRIP ON REEL.
- 2 SERRATION DETAIL APPLIES ONLY AT STRAIGHT PORTION ON SIDE OF BARREL.



14-12 AWG OR (2) 15 AWG	62755-1
WIRE RANGE	PART NUMBER

THIS DRAWING IS A CONTROLLED DOCUMENT.		DWN 14APR1999 PHILLIP M FORTNEY	TE Connectivity		
DIMENSIONS: mm		CHK 14APR1999 JEFF R RUTH			
TOLERANCES UNLESS OTHERWISE SPECIFIED:		APVD 14APR1999 JEREMY DUNCAN	PRODUCT SPEC		
0 PLC ± -		APPLICATION SPEC	SIZE CAGE CODE DRAWING NO RESTRICTED TO		
1 PLC ± -		WEIGHT -	A3 00779 C-62755		
2 PLC ± 0.25[.010]		CUSTOMER DRAWING	SCALE 5:1	SHEET 1 OF 1	REV F
3 PLC ± -					
4 PLC ± -					
ANGLES ± -					
MATERIAL BRASS					
FINISH -					