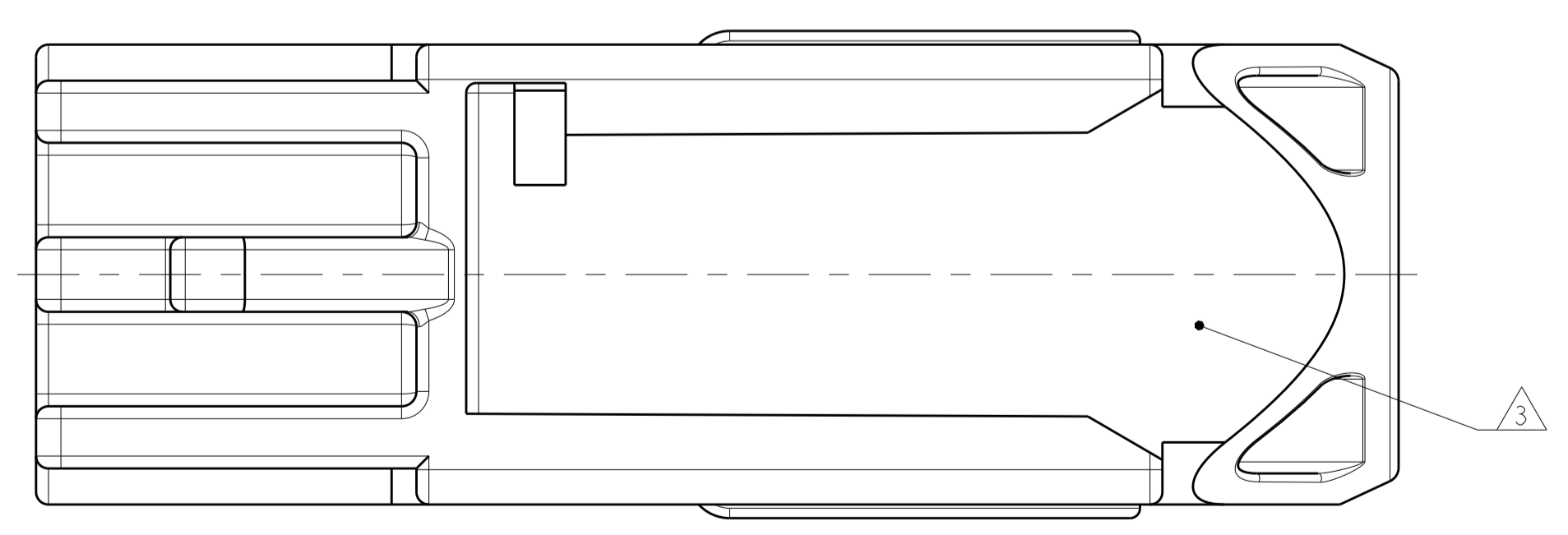
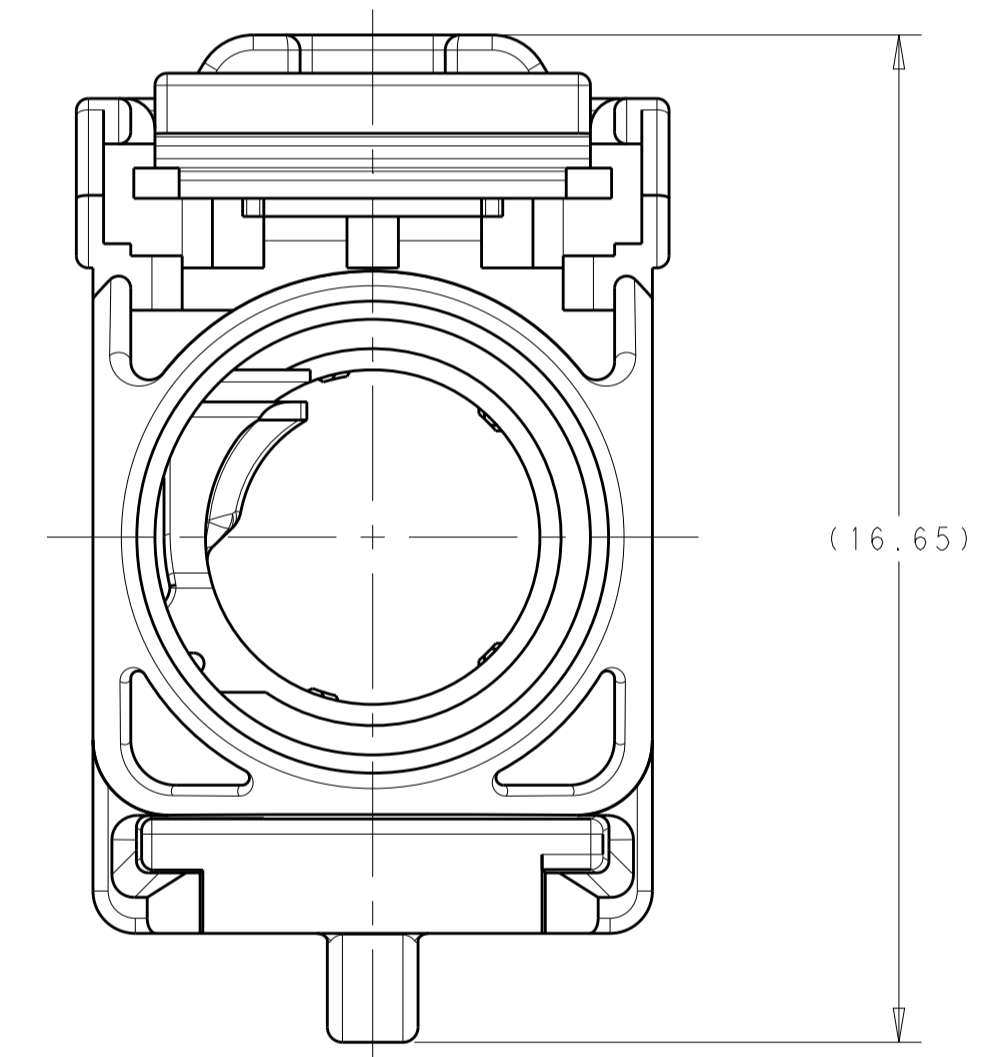
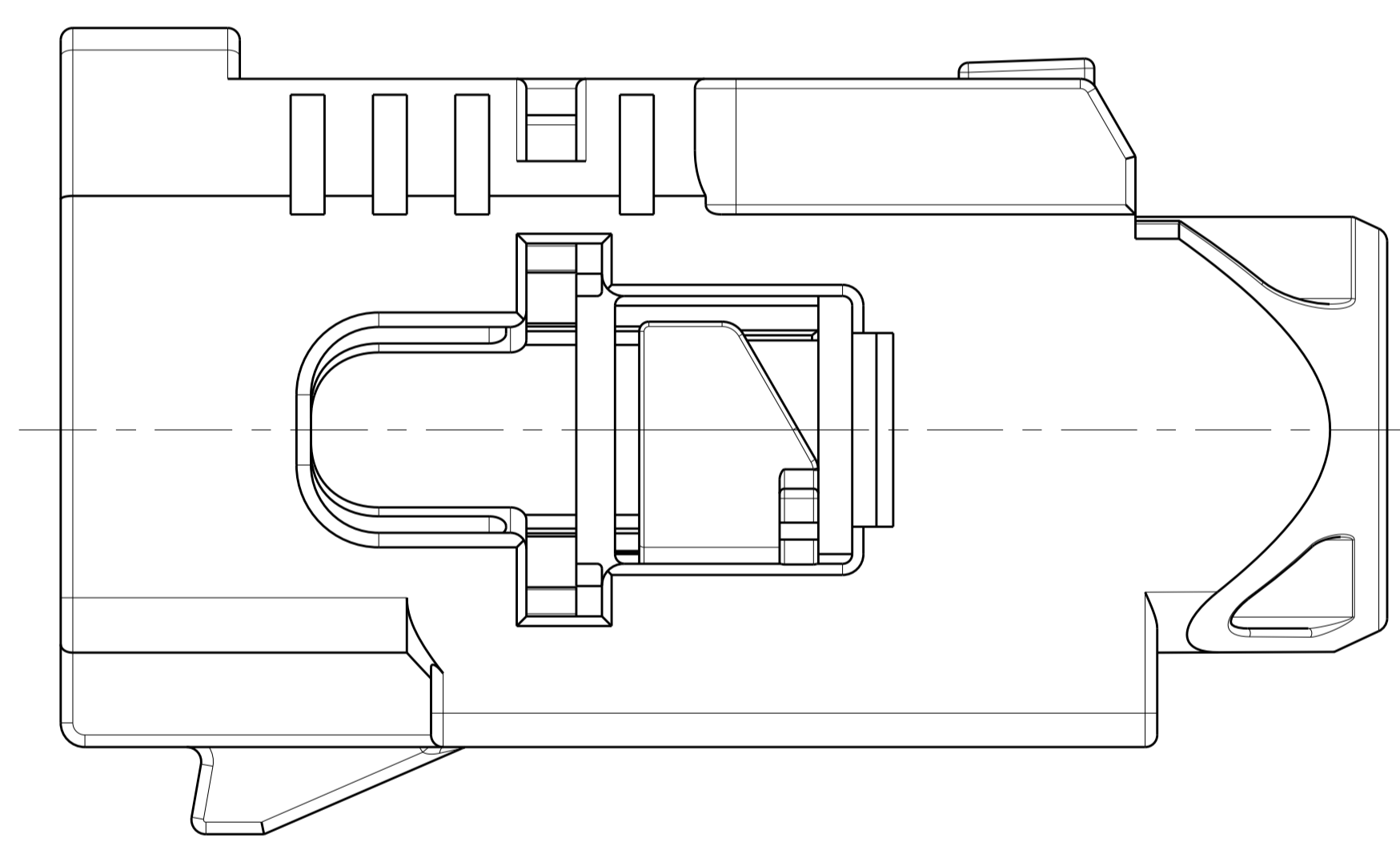
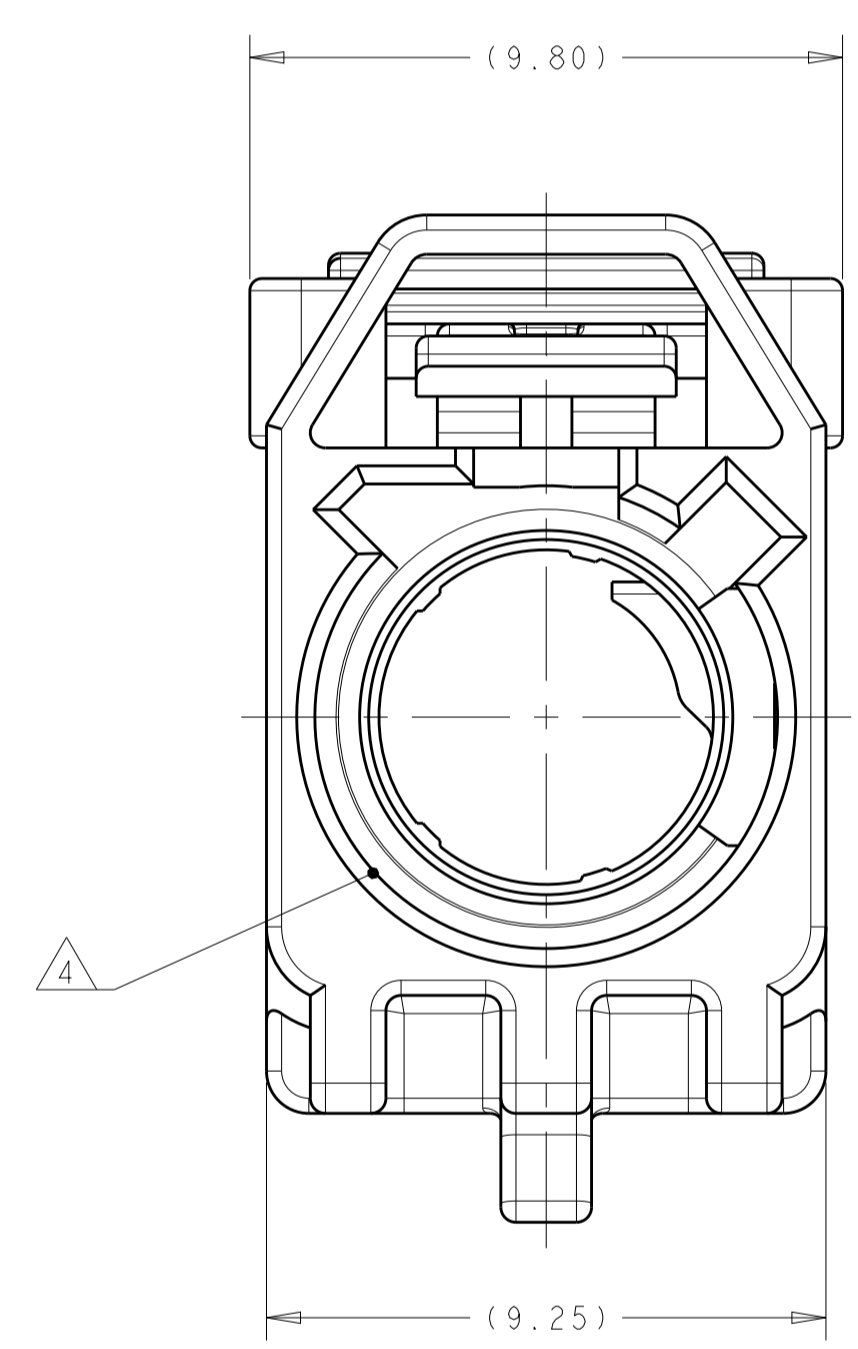
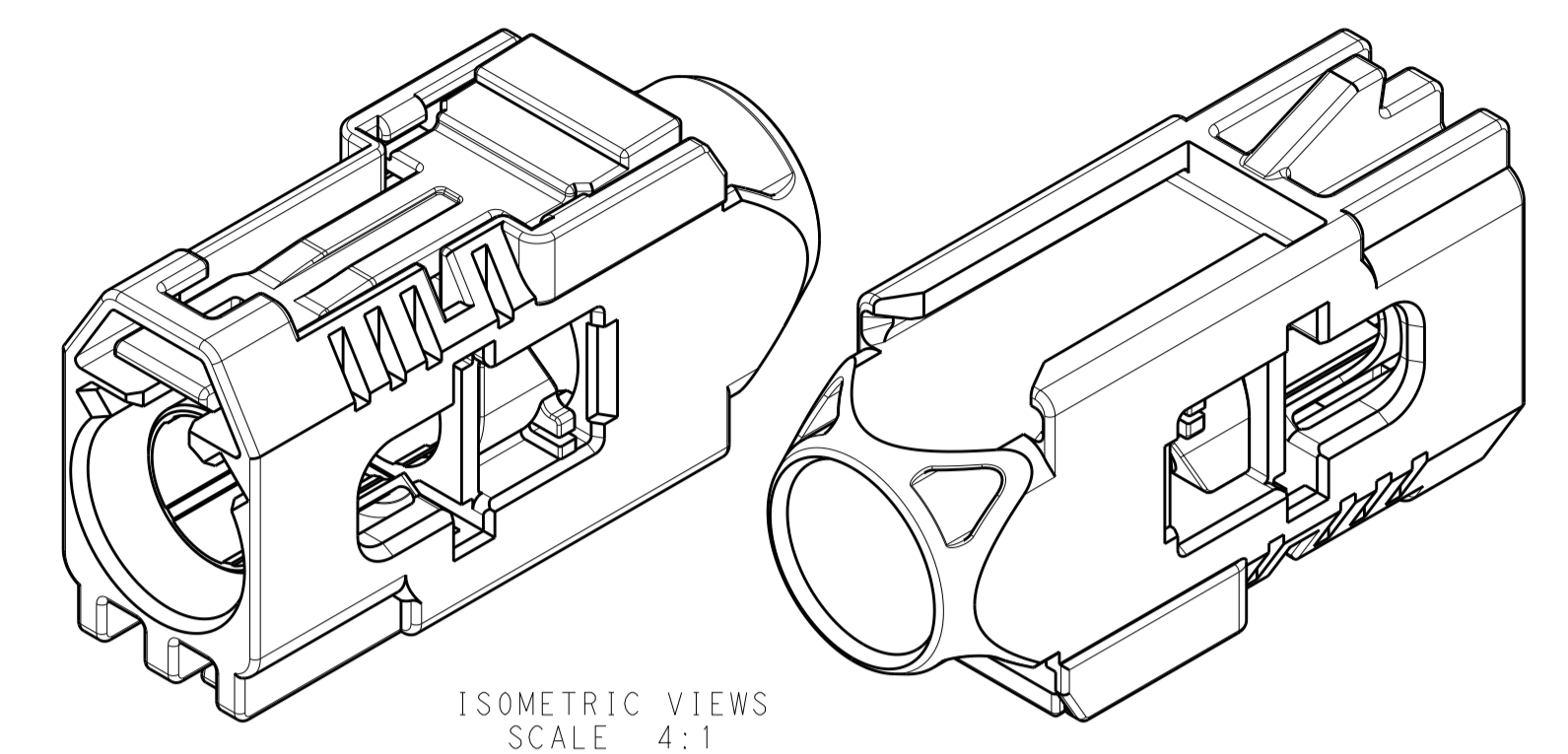
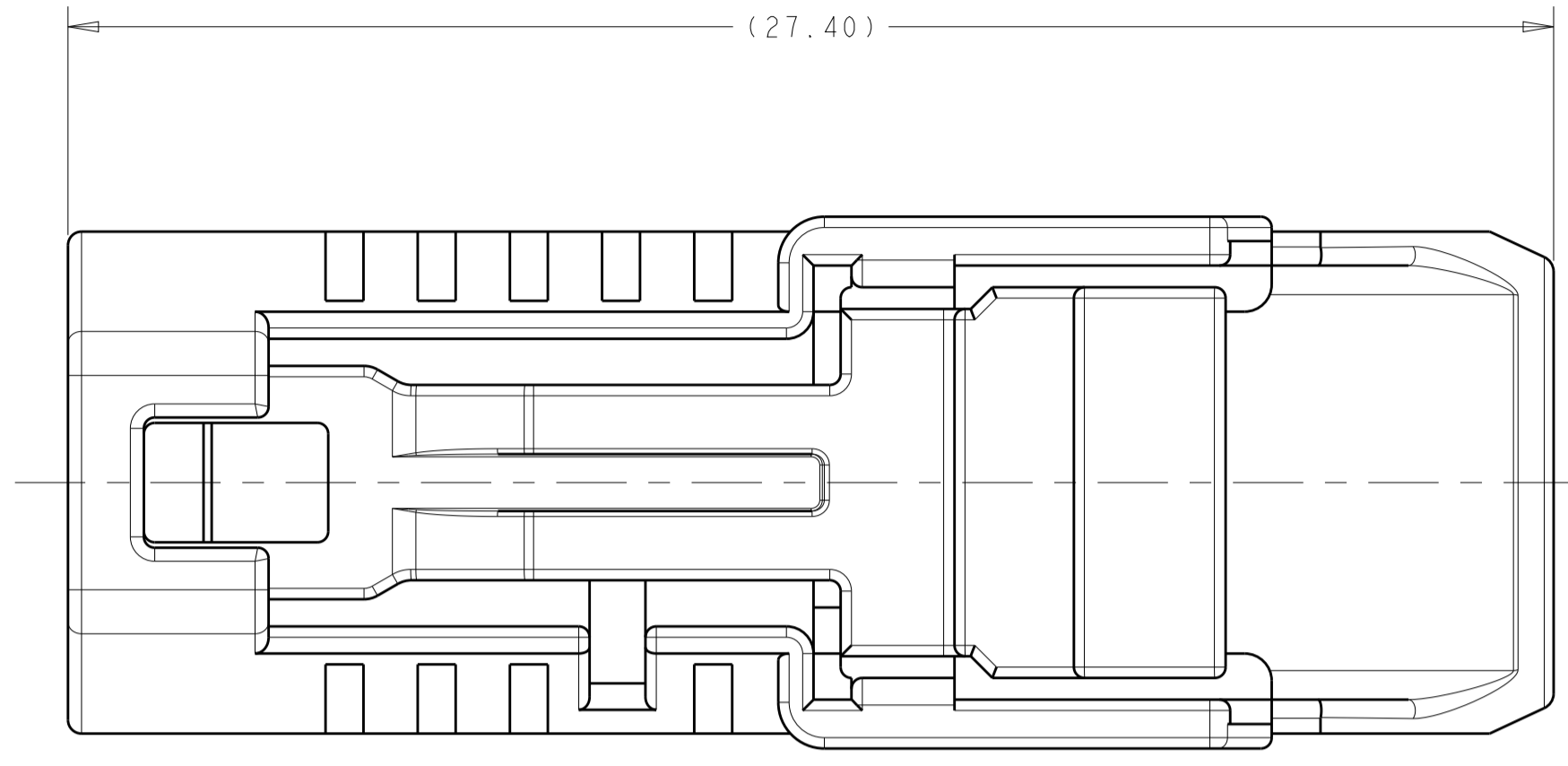


REVISIONS				
P.	LTN	DESCRIPTION	DATE	APVD
1		INITIAL DRAWING	07JUL2019	JMS NE
A		RELEASED PER ECO-19-013948	10SEP2019	KF NE

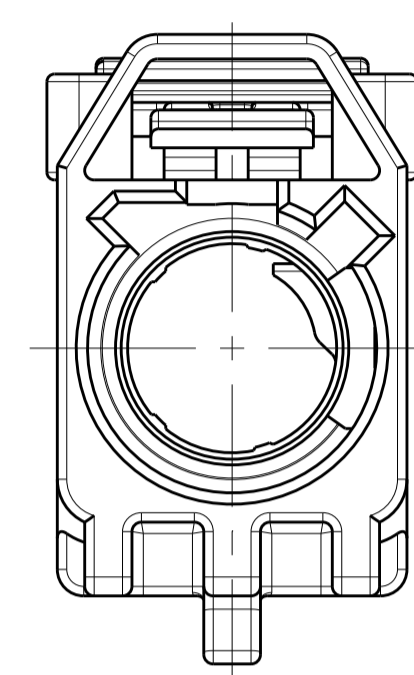


Z	PER DETAIL Z	WATER BLUE	2-2345654-0
N	PER DETAIL N	PASTEL GREEN	1-2345654-3
M	PER DETAIL M	PASTEL ORANGE	1-2345654-2
L	PER DETAIL L	CARMINE RED	1-2345654-1
K	PER DETAIL K	CURRY	1-2345654-0
I	PER DETAIL I	BEIGE	2345654-9
H	PER DETAIL H	HEATHER VIOLET	2345654-8
G	PER DETAIL G	BLUE GREY	2345654-7
F	PER DETAIL F	NUT BROWN	2345654-6
E	PER DETAIL E	LEAF GREEN	2345654-5
D	PER DETAIL D	CLARET VIOLET	2345654-4
C	PER DETAIL C	SIGNAL BLUE	2345654-3
B	PER DETAIL B	CREAM	2345654-2
A	PER DETAIL A	JET BLACK	2345654-1
KEY CODE	KEYING	CODING COLOR	PART NUMBER

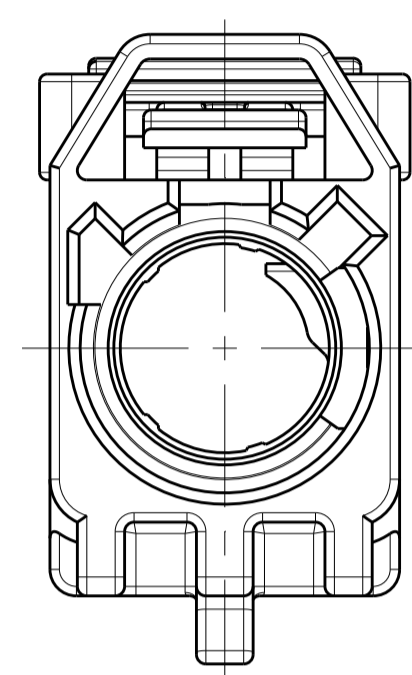
- 1. 2345654-1 AS SHOWN.
- 2 MATERIAL, POLYESTER PBT, COLOR SEE TABLE.
- 3 STANDARD 7mm CLIP SLOT EWCAP-005-7.
- 4 FEMALE INTERFACE PER ISO-20860-1, ISO-20860-2, SAE/USCAR-17, SAE/USCAR-18.

THIS DRAWING IS A CONTROLLED DOCUMENT.		DWN J. SHIRK 07JUL2019 CHK N. EVANS 07JUL2019 APVD N. EVANS 07JUL2019	
DIMENSIONS: mm 	TOLERANCES UNLESS OTHERWISE SPECIFIED: 0 PLC ± 1 PLC ± 2 PLC ± 3 PLC ± 4 PLC ± ANGLES ± FINISH	NAME FEMALE HOUSING, CLIP SLOT, 1 POSITION, FAKRA PRODUCT SPEC 108-32137 APPLICATION SPEC 114-32145 WEIGHT CUSTOMER DRAWING	
MATERIAL 2		SIZE A1 CAGE CODE - DRAWING NO. 2345654 RESTRICTED TO	SCALE 8:1 SHEET 1 OF 2 REV A

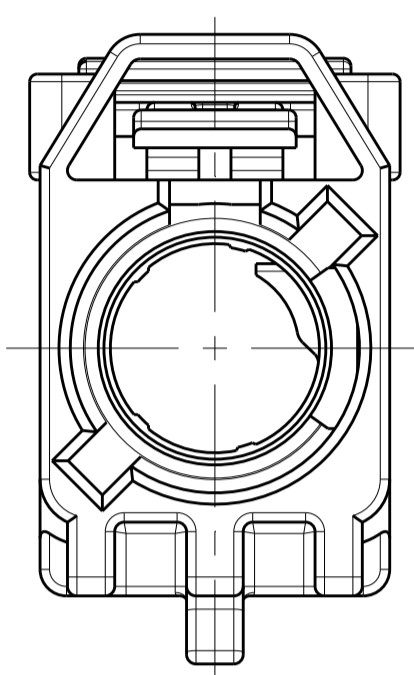
REVISIONS				
P.	LTN	DESCRIPTION	DATE	APVD
-		SEE SHEET 1	-	-



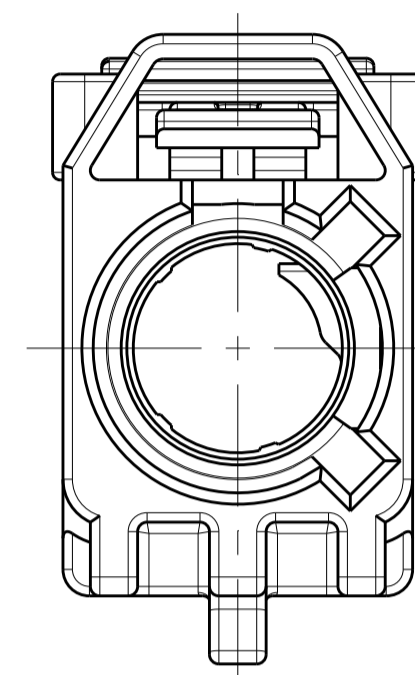
DETAIL A  
SCALE 5:1



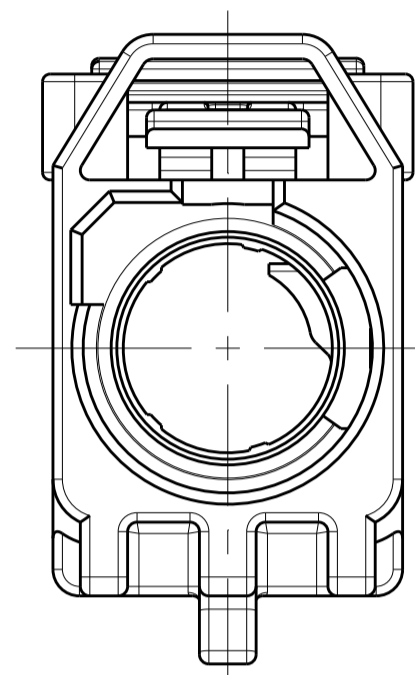
DETAIL B  
SCALE 5:1



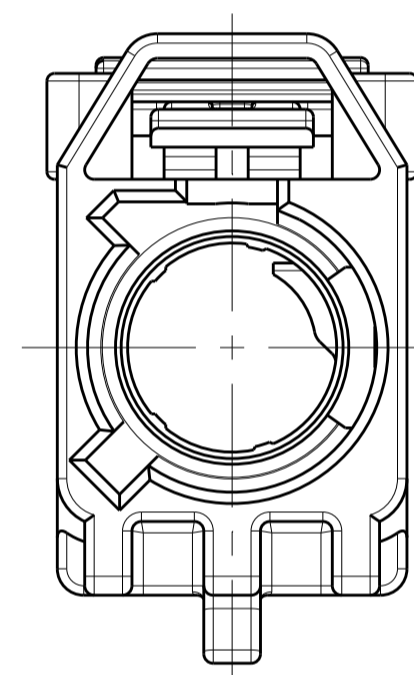
DETAIL C  
SCALE 5:1



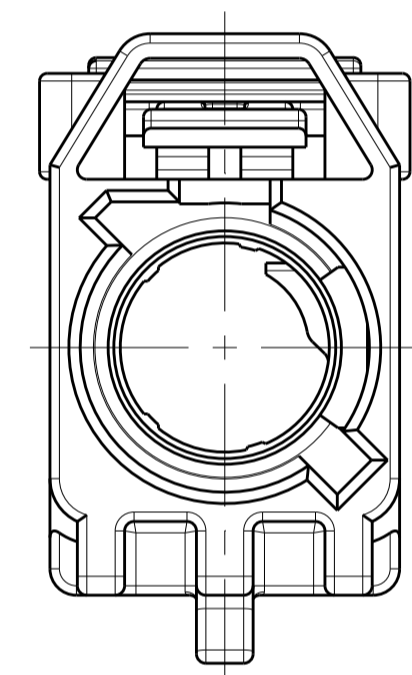
DETAIL D  
SCALE 5:1



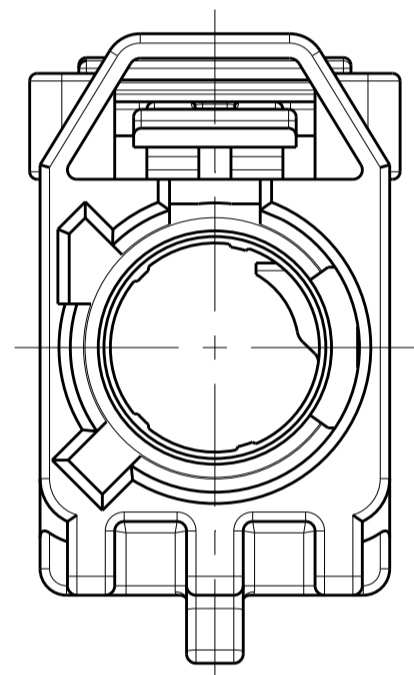
DETAIL E  
SCALE 5:1



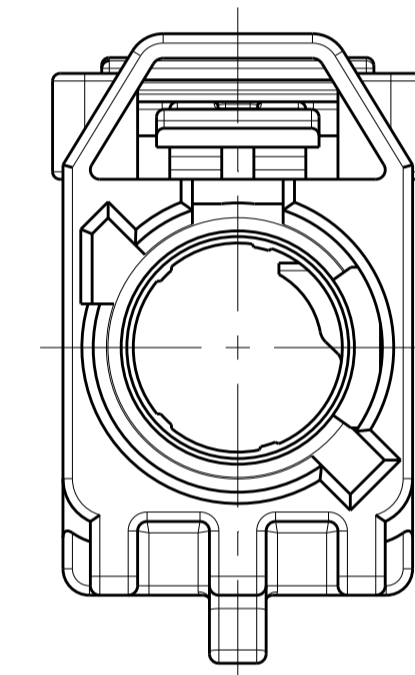
DETAIL F  
SCALE 5:1



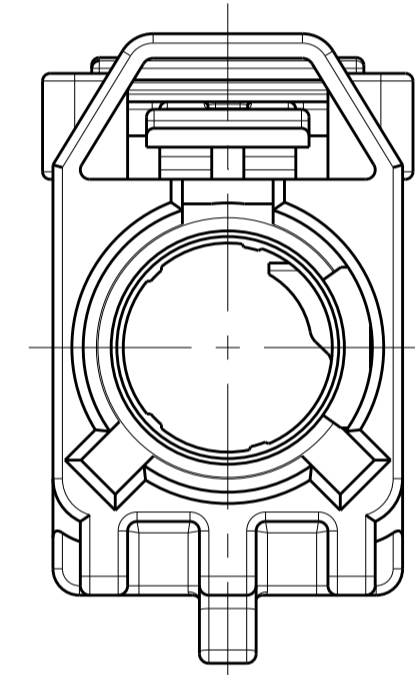
DETAIL G  
SCALE 5:1



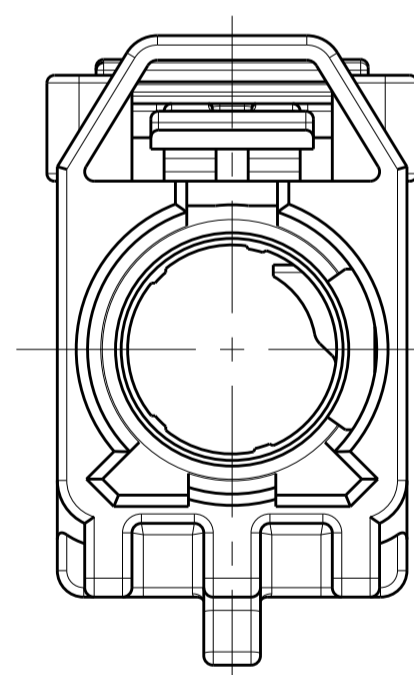
DETAIL H  
SCALE 5:1



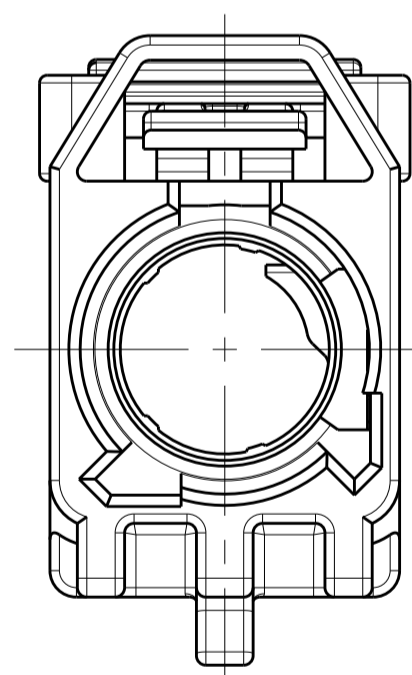
DETAIL I  
SCALE 5:1



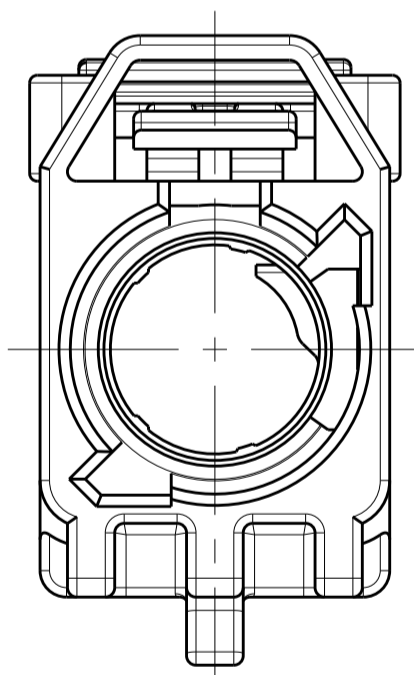
DETAIL K  
SCALE 5:1



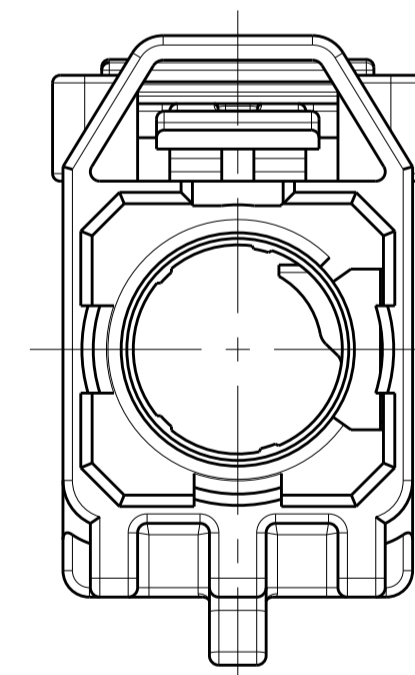
DETAIL L  
SCALE 5:1



DETAIL M  
SCALE 5:1



DETAIL N  
SCALE 5:1



DETAIL Z  
SCALE 5:1

THIS DRAWING IS A CONTROLLED DOCUMENT.		DWN J. SHIRK 07JUL2019	
DIMENSIONS:		CHK N. EVANS 07JUL2019	
mm	TOLERANCES UNLESS OTHERWISE SPECIFIED:	APVD N. EVANS 07JUL2019	NAME FEMALE HOUSING, CLIP SLOT, 1 POSITION, FAKRA
0 PLC ±	1 PLC ±	PRODUCT SPEC	SIZE CAGE CODE DRAWING NO
2 PLC ±	3 PLC ±	108-32137	RESTRICTED TO
4 PLC ±	ANGLES ±	APPLICATION SPEC	A1 - C=2345654
MATERIAL	FINISH	114-32145	SCALE 8:1 SHEET 2 OF 2 REV A
		WEIGHT	CUSTOMER DRAWING