

PART NAME: HANDLE

SCALE: 1:1

DATE: 6/13/74

DR. BY NH



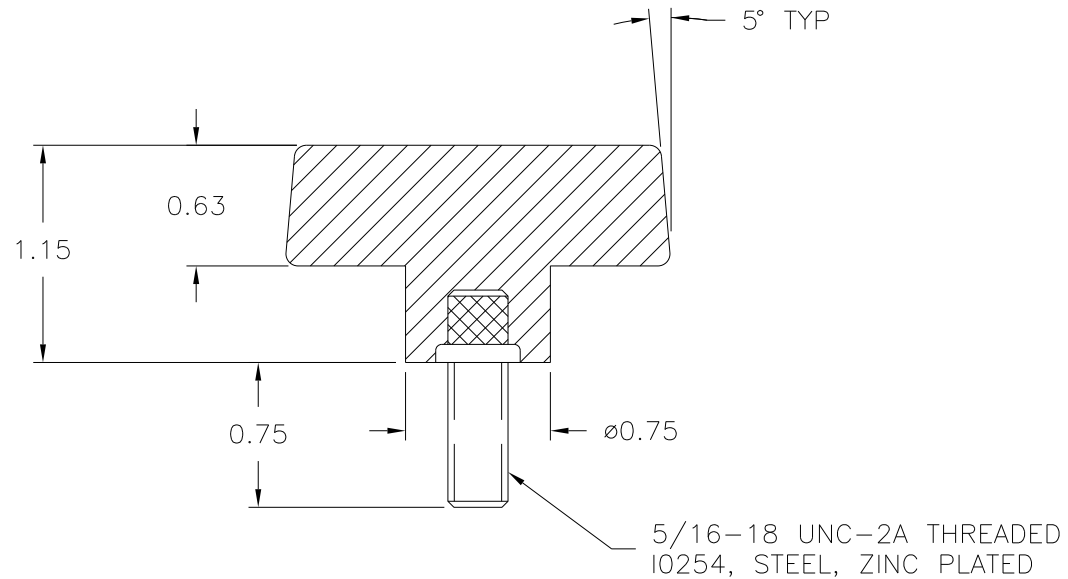
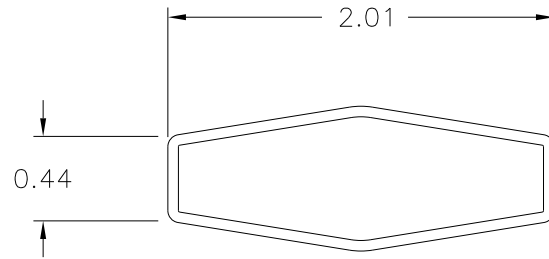
DESIGNERS & MANUFACTURERS OF KNOBS, HANDLES, CASES & CUSTOM PLASTIC COMPONENTS

P/N 3090-M

THIS DRAWING IS THE PROPERTY OF DAVIES MOLDING COMPANY. IS SUBMITTED SOLELY AS A DESIGN OR ENGINEERING PROJECT. WE ACCEPT NO RESPONSIBILITY WHATSOEVER FOR THE PRACTICAL APPLICATION OF THE PIECES MADE TO THIS DESIGN.

DO NOT SCALE DRAWING

M <sup>NO.</sup>	5904
CAVITY	3090
PLUNGER	3090
PINS	3090-2
INSERT	10254
RAIL AND PILLAR SPACERS	.375



MATERIAL: G.P. PHENOLIC (B11)  
 COLOR: BLACK

TOLERANCES: UNLESS OTHERWISE SPECIFIED	DO NOT SCALE DRAWING			
DECIMALS: X.XXX ± .005 X.XX ± .015	MM: X.XX ± 0.15MM X.X ± 0.4MM	-	REDRAWN	TL 11/10/99
FRACTIONS ± 1/64	ANG. ± 1°	-	CAD REDRAW	HD 11/30/95
CHANGES				