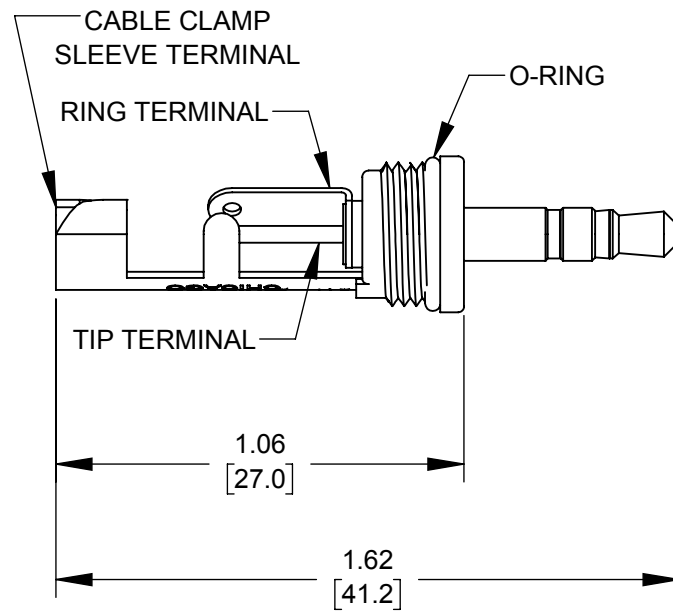
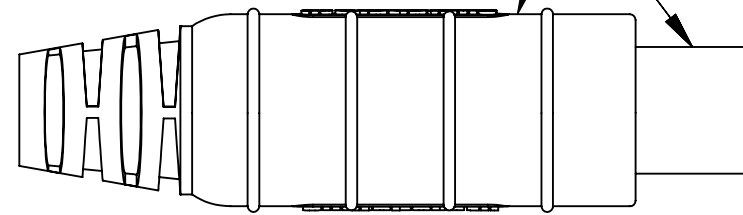
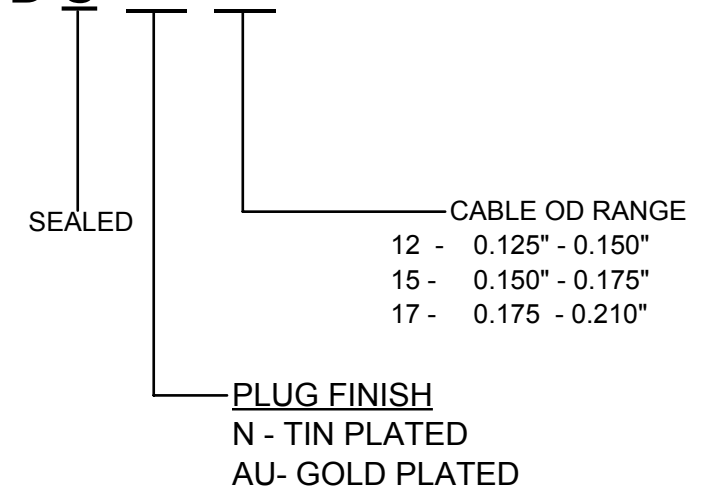


OVERMOLDED HANDLE AND TUBULAR INSULATOR
SHIPPED UNASSEMBLED



35HDS



NOTES:

1. SPECIFICATIONS:

- CONTACT RESISTANCE: 20 MILIOHMS MAX.
- DIELECTRIC WITHSTANDING VOLTAGE - 250 VAC MIN
- INSULATION RESISTANCE @ 500 VDC - 2,000 MEGAOHMS MIN
- MAX WORKING VOLTAGE - 250 VAC, 140VDC
- CURRENT CARRY @ WORKING VOLTAGE - 4 AMPS
- INSERT / WITHDRAWAL FORCE - TYPICAL 2.5/2 LBS
- TEMPERATURE RANGE: -20°C TO 85°C (OPERATING)
- PASSES IP67 & IP68 AFTER:
- THERMAL SHOCK - MIL-STD-202, METHOD 107G
- VIBRATION - MIL-STD-202, METHOD 201
- LIFE - 5,000 CYCLES

2. MATERIALS:

- PLUG BODY, TIP ROD & RING - COPPER ALLOY, TIN OR GOLD PLATED
- PLUG INSULATION - THERMOPLASTIC, BLACK
- RING TERMINAL - COPPER ALLOY, TIN PLATED
- CABLE CLAMP - STEEL, TIN PLATED
- COUPLING RING - COPPER ALLOY, NICKEL PLATED
- HANDLE - COPPER ALLOY, NICKEL PLATED
- OVERMOLDED THERMOPLASTIC
- TUBULAR INSULATOR - MYLAR

3. THESE PRODUCTS ARE RoHS COMPLIANT.

CUSTOMER DRAWING

					THIS DRAWING DESCRIBES A DESIGN CONSIDERED PROPRIETARY IN NATURE, DEVELOPED AND MANUFACTURED BY SWITCHCRAFT INC. AND IS RELEASED ON A CONFIDENTIAL BASIS FOR IDENTIFICATION PURPOSES ONLY.						
					UNLESS OTHERWISE SPECIFIED	SIZE *	WIDTH *	MULT *	LBS/M *	TEMPER *	
					1. ALL DIMENSIONS IN INCHES [mm]	FINISH *			MATERIAL *		
					- TWO PLACE DECIMALS ±0.02 [0.5]	SPEC No. *			SPEC No. *		
					- THREE PLACE DECIMALS ±0.005 [0.13]	FIRST USED ON *		SCALE 2:1		Switchcraft [®]	
						DATE DRAWN	BY	CHKD	APVD		
						05/24/18	AM	*	*	SHEET 1 OF 1	
						NAME 3.5MM SEALED, RoHS STEREO PLUG				PART No. 35HDS SERIES	REV 0A
REVISIONS					DO NOT SCALE DRAWING						