

PRODUCT NUMBER
98400-YXXXLF

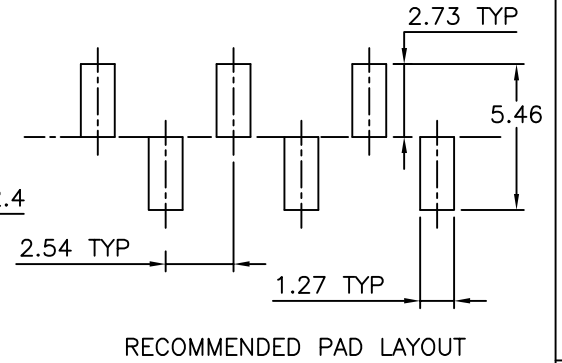
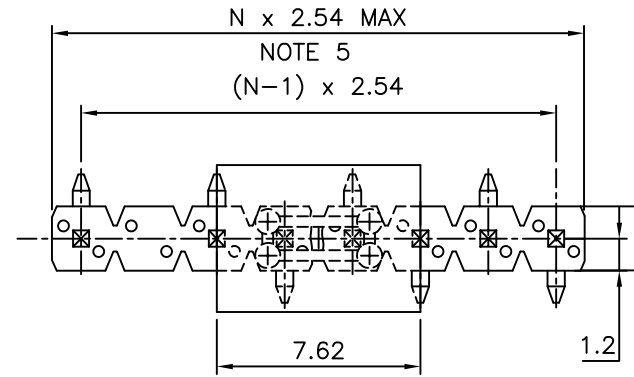
RoHs COMPATIBLE, SEE NOTE 6
PACKAGING TYPE, NOTE 3

PLATING

1= 0.76µm GOLD/GXT ON CONTACT
AREA, 2µm TIN MIN ON TAILS

1.27µm NICKEL MIN UNDERLAYER FOR
ALL PLATING VERSIONS

STYLE	SIZE	MATING	OMIT PIN
01	1x08	5.9	2
02	1x08	5.9	5
03	1x16	8.08	1
04	1x03	5.9	2

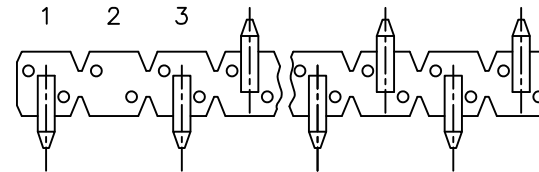
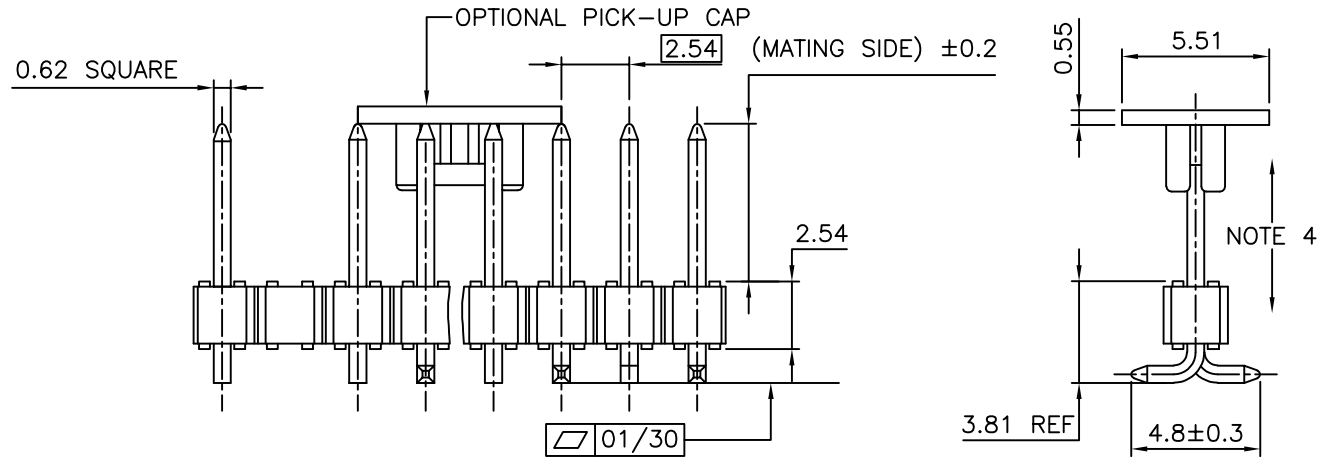


NOTES:

- HOUSING MAT'L : HIGH TEMPERATURE THERMOPLASTIC. UL94V-0 COLOR: BLACK
- PIN MATERIAL : PHOSPHOR BRONZE
- PACKAGING = POLY BAGS
A = TAPE & REEL + CAP, AS AVAILABLE
- 9N MIN RETENTION IN EITHER DIRECTION
- TO DETERMINE DIMENSIONS :
N = NUMBER OF POSITIONS
EXAMPLE : 8 POS N x 2.54 = 20.32mm

6. RoHS COMPATIBLE PRODUCT SPECIFICATIONS

- PLATING:
 - "LF" MEANS THE PRODUCT IS LEAD-FREE, 2µm MINIMUM MATTE TIN OVER 1.27µm MINIMUM NICKEL UNDERPLATE.
- MANUFACTURING PROCESS COMPATIBILITY
 - THE HOUSING WILL WITHSTAND EXPOSURE TO 260°C PEAK TEMPERATURE FOR 30 SECONDES IN A CONVECTION, INFRA-RED OR VAPOR PHASE REFLOW OVEN.
- LABELING:
 - MEETS PACKAGING SPECS AS PER GS-14-920
- LEGAL STATEMENT: SEE GS-47-0004



mat'l. code SEE NOTES				surface ISO 1302 ✓		tolerance ISO 406 ISO 1101		projection mm		product family BERGSTIK HDR	
H F-23055 AMA 16.01.15				tolerances unless otherwise specified						title HEADER SR, SMT, POLARIZED	
J F-47164 DDE 23.02.01				angles linear				scale 1:4		dwg no 98400	
				dr L.MULIN		99.04.28		FCI		sheet 1 of 1 size A3	
E F08-0148 RTR 08.03.31				engr JMC		99.04.28				type CUSTOMER Drawing	
F F10-0207 JCO 10.09.09				chr							
G B-18983 LMU 14.10.03				appd JMC		99.04.28					
sheet index		revision sheet									