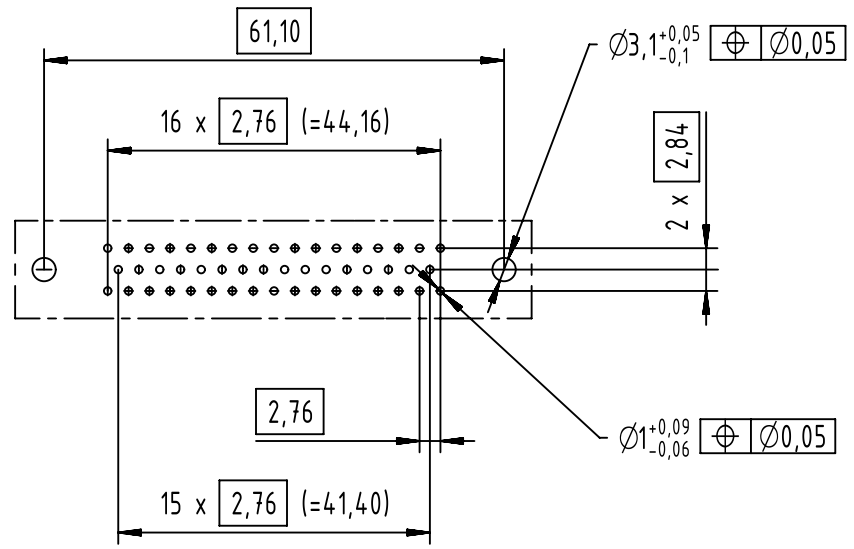
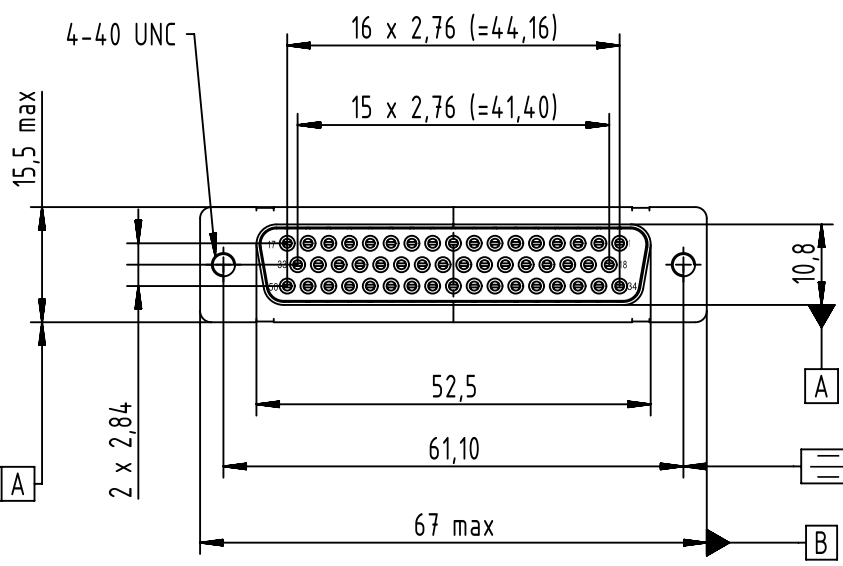


PC-Board layout
view component side
thickness up to 3,2 mm



		All Dimensions in mm Original Size DIN A4		Scale 1:1	Free size tol.		Ref.
		All rights reserved Department EC PD - FR		Created by LAVERGNEC	Inspected by BAGDIKIAN	Standardisation HOFFMANN	Date 2014-04-02
		HARTING Electronics GmbH D-32339 Espelkamp		Title D-Sub 50-pole female straight press-in			State Final Release
		D-32339 Espelkamp		Type TB	Number 0966514X502		Doc-Key / ECM-Nr. 100571922/UGD/001/A 500000072779
		D-32339 Espelkamp					Rev. A
		D-32339 Espelkamp					Page 1/1

D	09665147502	3	6	4,20
	09665146502	2	6	4,20
	09665145502	S4 PdNi	6	4,20
	Part number	Performance level	A +/- 0,2	B +/- 0,2