

PART NO.	A79610-001	REV	ECO	DATE	APP
		D	104492	05-22-18	HV

MATERIALS & SPECIFICATIONS

INSULATOR  
THERMOPLASTIC PER ASTM D5138

CONTACT MATERIAL  
PINS - BERYLLIUM COPPER PER ASTM B194, ALLOY C17200

SOCKET - COPPER ALLOY PER MIL-DTL-32139

CONTACT FINISH  
GOLD PLATE PER ASTM B488, TYPE II (HARD GOLD), CODE C, CLASS 1.27

WIRE  
32 AWG, 7 STRAND, TYPE ET PER NEMA HP3

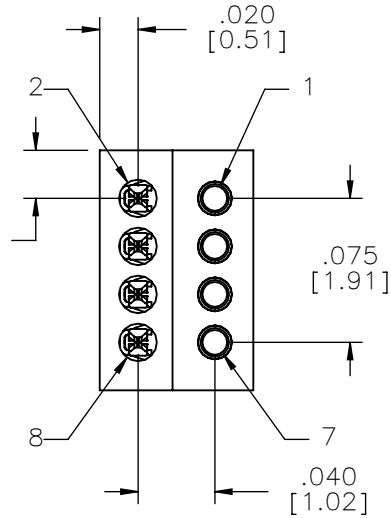
CURRENT RATING  
1 AMP MAX PER MIL-DTL-32139

CONTACT RESISTANCE  
71 MILLIOHM MAX (71mV DROP MAX) @ 1.0 AMPS PER MIL-DTL-32139

PERFORMANCE  
PRODUCT FAMILY TESTED TO AND PASSED THE PERFORMANCE SPECIFICATIONS OF TABLE VIII OF MIL-DTL-32139

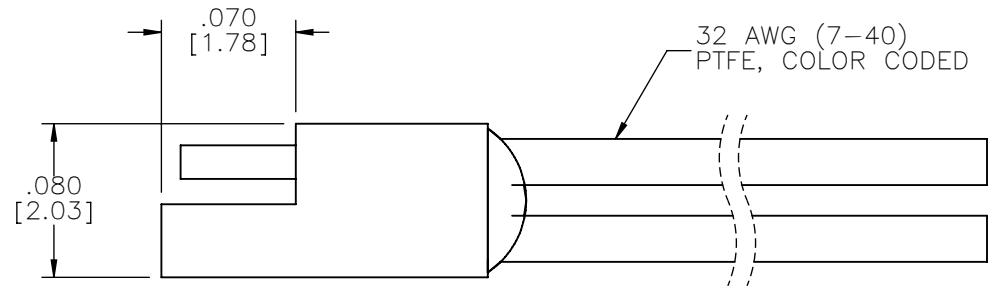
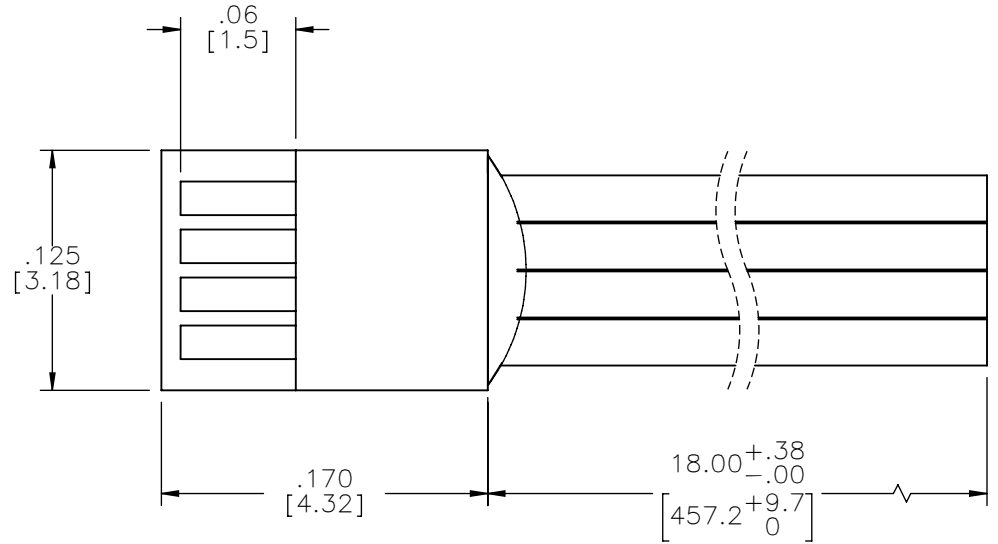


ACTUAL SIZE EXCLUDING WIRE LENGTH



CONTACT #	COLOR
1	BLACK
2	BROWN
3	RED
4	ORANGE
5	YELLOW
6	GREEN
7	BLUE
8	VIOLET

INTERNAL USE ONLY  
SHEET 2 OF 2 IS  
MANUFACTURING  
LOADING DIAGRAM



RoHS

NOTE:

DIMENSIONS IN [ ] ARE IN MILLIMETERS UNLESS OTHERWISE NOTED AND ARE FOR REFERENCE ONLY

PZN	THIRD ANGLE	THIS DRAWING CONTAINS CONFIDENTIAL AND PROPRIETARY INFORMATION WHICH IS THE PROPERTY OF OMNETICS CONNECTOR CORP. THIS DOCUMENT MAY NOT, IN WHOLE OR IN PART, BE DUPLICATED, OR DISCLOSED FOR ANY PURPOSE, WITHOUT WRITTEN PERMISSION FROM OMNETICS CONNECTOR CORP.	DATE 08-24-09	TITLE: (8) CONTACT POLARIZED MALE/FEMALE NANO CONNECTOR	CAGE CODE 61873	DWG NO. A79610-001
	-TOLERANCES-					
MCTS	UNLESS OTHERWISE NOTED	DFTM. NJS	DATE	CONNECTOR CORPORATION 7260 COMMERCE CIRCLE EAST MINNEAPOLIS, MN 55432 WWW.OMNETICS.COM	SHEET 1 OF 2	REV D
	DIMENSIONS IN INCHES	CHK'D.	DATE			
	2 PL DEC ± .01	APP'D.	DATE			
	3 PL DEC ± .005					
	4 PL DEC ± .0005					
	ANGLES ± 1°					