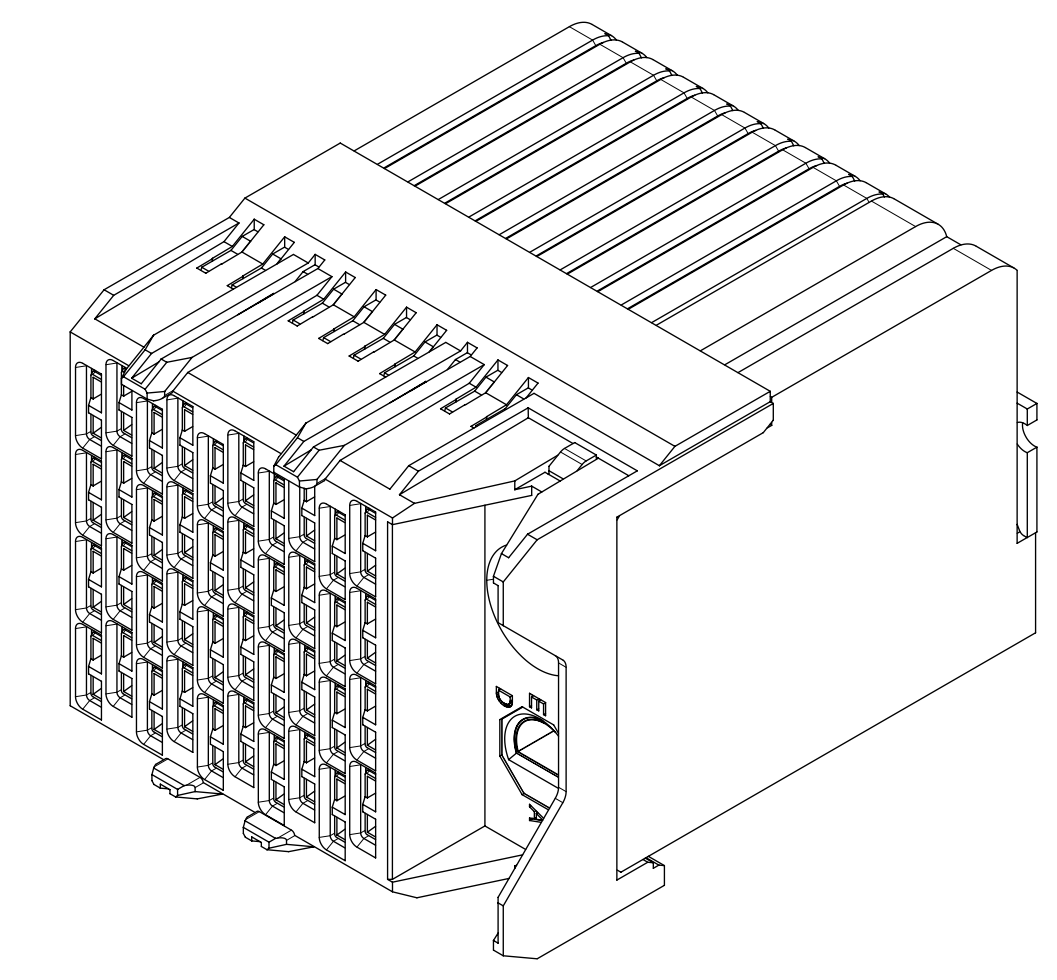


- NOTES:
1. MATERIALS: HOUSING - LIQUID CRYSTAL POLYMER (LCP) GLASS-FILLED, UL94V-0  
TERMINALS - HIGH PERFORMANCE COPPER ALLOY
  2. FINISH: 30uIN GOLD IN CONTACT AREA.  
SELECTIVE TIN ON PCB TAILS.  
NICKEL OVERALL.
  3. REFER TO MOLEX PRODUCT SPECIFICATION PS-171320-999 FOR PERFORMANCE SPECIFICATIONS.
  4. THIS PART CONFORMS TO CLASS B REQUIREMENTS OF MOLEX COSMETIC SPEC PS-45499-002.
  5. PRODUCT WILL BE PACKAGED PER PK-78888-085.
  6. SEE SHEET 2 FOR HOLE PATTERN DIMENSIONS.
  7. MATES WITH IMPEL BP SERIES NUMBER 171315.
  8. REFER TO IMPEL PCB ROUTING GUIDE AS-171320-990 FOR ANTIPAD, ROUTING RECOMMENDATIONS, AND ADDITIONAL PCB INFORMATION.
  9. WHEN STACKING MODULES END TO END, THE MINIMUM COLUMN TO COLUMN HOLE SPACING IS 2.65mm.
  10. WHEN USING THE SUPPLIED 2-32 THREAD FORMING SCREW, (P/N 73726-0000), THE MAXIMUM RECOMMENDED BOARD THICKNESS IS 4.4mm.



QUALITY SYMBOLS		THIS DRAWING CONTAINS INFORMATION THAT IS PROPRIETARY TO MOLEX ELECTRONIC TECHNOLOGIES, LLC AND SHOULD NOT BE USED WITHOUT WRITTEN PERMISSION			
▽ = 0	REMASTERED TO NX	GENERAL TOLERANCES (UNLESS SPECIFIED)		DIMENSION UNITS	SCALE
▽ = 0	EC NO: 119227	ANGULAR TOL ± 0.5 °		MM ONLY	4:1
▽ = 0	DRWN: SCHANNARAYAN	4 PLACES ±	DRWN BY	JLAURX	DATE
▽ = 0	CHKD: CYLIAW	3 PLACES ±	CHKD BY	CYLIAW	2012/11/19
▽ = 0	REV / APPR: DWLE01	2 PLACES ± 0.13	APPR BY	JBINGHAM	2017/08/11
▽ = 0		1 PLACE ± 0.25	DRAWING SIZE	C	THIRD ANGLE PROJECTION
▽ = 0		0 PLACES ±	DRAFT WHERE APPLICABLE MUST REMAIN WITHIN DIMENSIONS		
□ = 0		SERIES		171320	SEE CHART
■ = 0		MATERIAL NUMBER		GENERAL MARKET	
▽ = 0		CUSTOMER		GENERAL MARKET	
		DOCUMENT NUMBER		SD-171320-0004	DOC TYPE PSD
		DOC PART		001	SHEET NUMBER 1 OF 2

MATERIAL NUMBER	NUMBER OF COLUMNS	NUMBER OF DIFF PAIR	DIM "A"	DIM "B"
171320-5*36	6	24	19.60 MAX	9.50
171320-5*38	8	32	23.40 MAX	13.30
171320-5*20	10	40	27.20 MAX	17.10
171320-5*22	12	48	31.00 MAX	20.90
171320-5*26	16	64	38.60 MAX	28.50

**171320-5\*\*\***

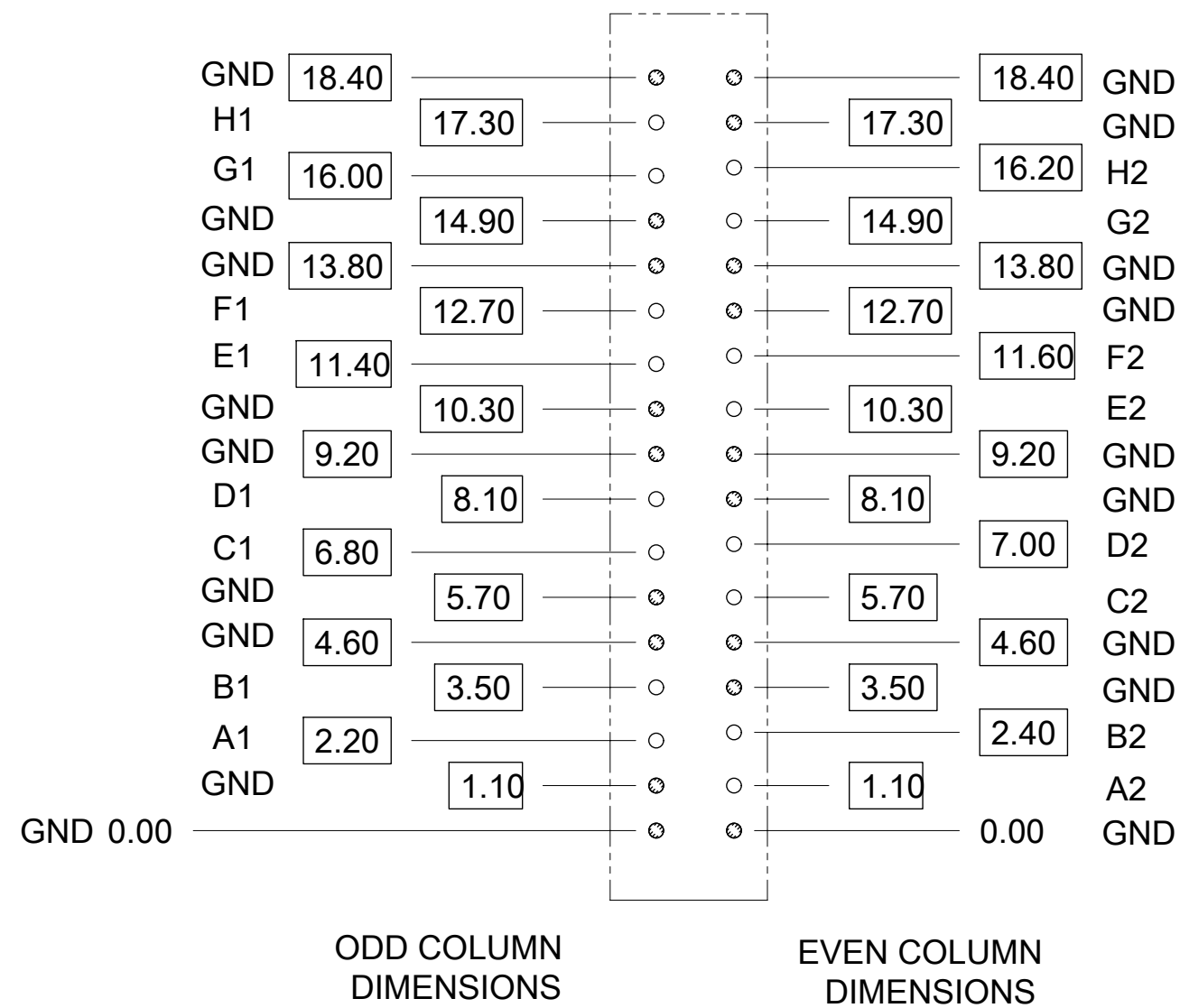
MODULE TYPE  
5 = GUIDE RIGHT

KEY ORIENTATION

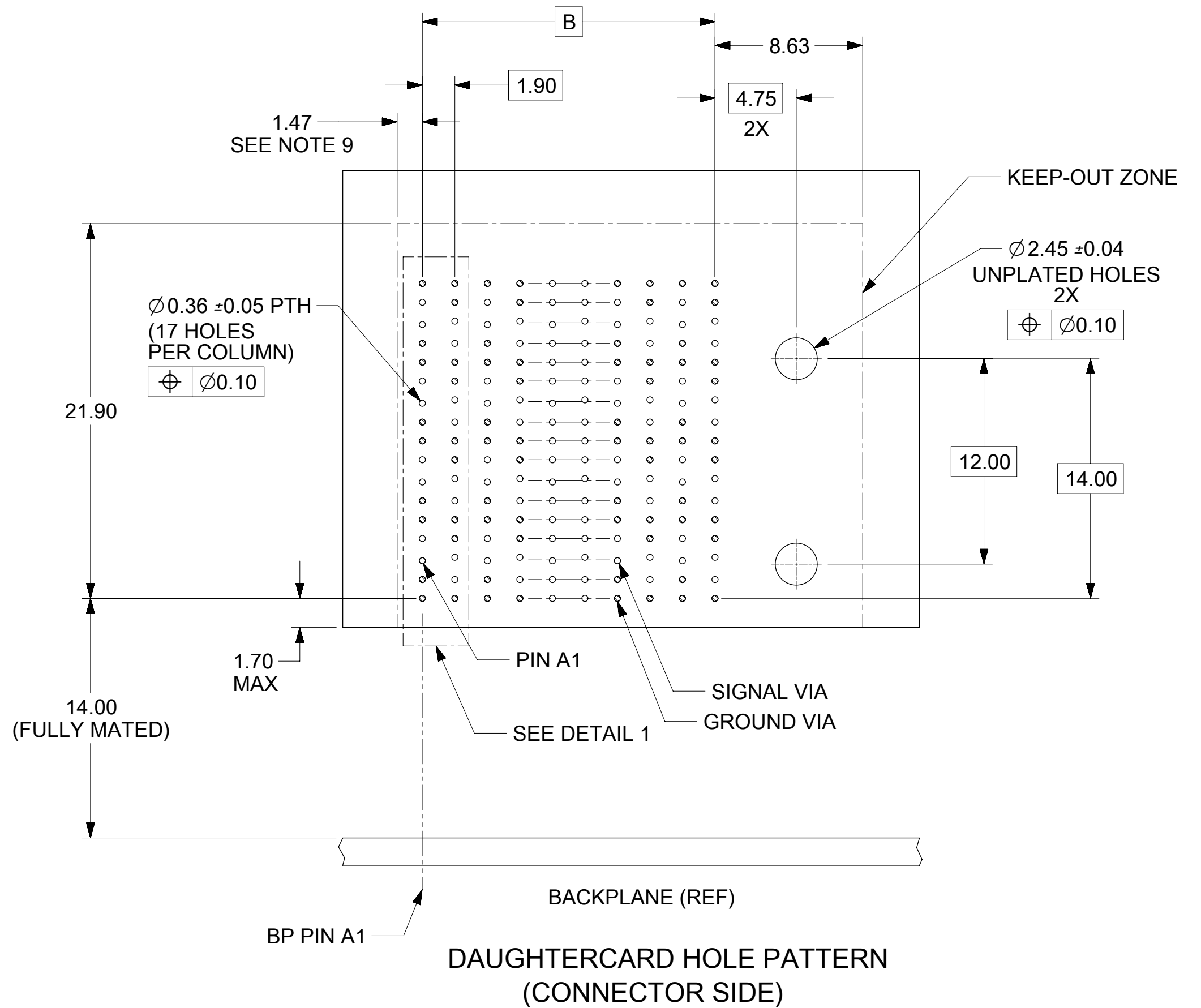
COLUMN SIZE

36 = 6 COLUMN  
38 = 8 COLUMN  
20 = 10 COLUMN  
22 = 12 COLUMN  
26 = 16 COLUMN

0 = NO KEY  
1 = A 5 = E  
2 = B 6 = F  
3 = C 7 = G  
4 = D 8 = H



DETAIL 1  
SCALE 6:1



QUALITY SYMBOLS	THIS DRAWING CONTAINS INFORMATION THAT IS PROPRIETARY TO MOLEX ELECTRONIC TECHNOLOGIES, LLC AND SHOULD NOT BE USED WITHOUT WRITTEN PERMISSION		GENERAL TOLERANCES (UNLESS SPECIFIED)		DIMENSION UNITS	SCALE	<b>molex</b>	
▽ = 0	REMASTERED TO NX		ANGULAR TOL ± 0.5 °		MM ONLY	1:1		
▽ = 0	EC NO: 119227	2017/07/06	4 PLACES ±		DRWN BY	DATE	IMPEL DAUGHTERCARD ASSY	
▽ = 0	DRWN: SCHANNARAYAN	2017/08/11	3 PLACES ±		CHKD BY	DATE	4 PAIR - 1.9MM PITCH GUIDE RIGHT SALES DWG	
▽ = 0	CHKD: CYLIAN	2017/08/28	2 PLACES ± 0.13		APPR BY	DATE	PRODUCT CUSTOMER DRAWING	
▽ = 0	REV: APPR: DWLE01		1 PLACE ± 0.25		JBINGHAM	2014/06/06	SERIES	MATERIAL NUMBER
□ = 0			0 PLACES ±				171320	SEE CHART
■ = 0	DRAFT WHERE APPLICABLE MUST REMAIN WITHIN DIMENSIONS		DRAWING SIZE		THIRD ANGLE PROJECTION		CUSTOMER	
▽ = 0			C				GENERAL MARKET	
							DOCUMENT NUMBER	
							SD-171320-0004	
							DOC TYPE	
							PSD	
							DOC PART	
							001	
							SHEET NUMBER	
							2 OF 2	