

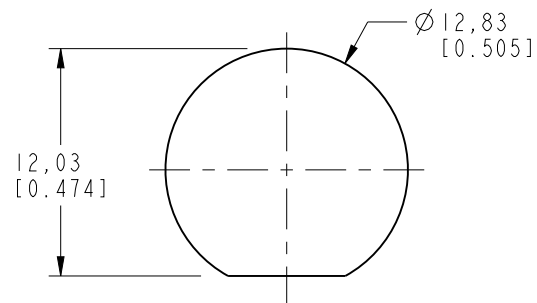
NOTES:

1. MATERIALS AND FINISHES:
 75 OHM BNC STR BHD JACK - BRASS, NICKEL PLATING
 75 OHM MCX STR PLUG - BeCu, GOLD PLATING
 CABLE - BELDEN 4855R
2. ELECTRICAL:
 A. IMPEDANCE: 75 OHM
3. PACKAGING:
 A. QUANTITY: SINGLE PACK
 B. MARKING: BAG TO BE MARKED
 "AMPHENOL RF, 95-850-243-XXX AND DATE CODE"

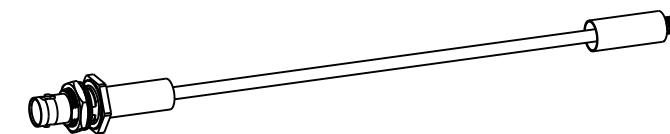
THIRD ANGLE PROJ.

REVISIONS

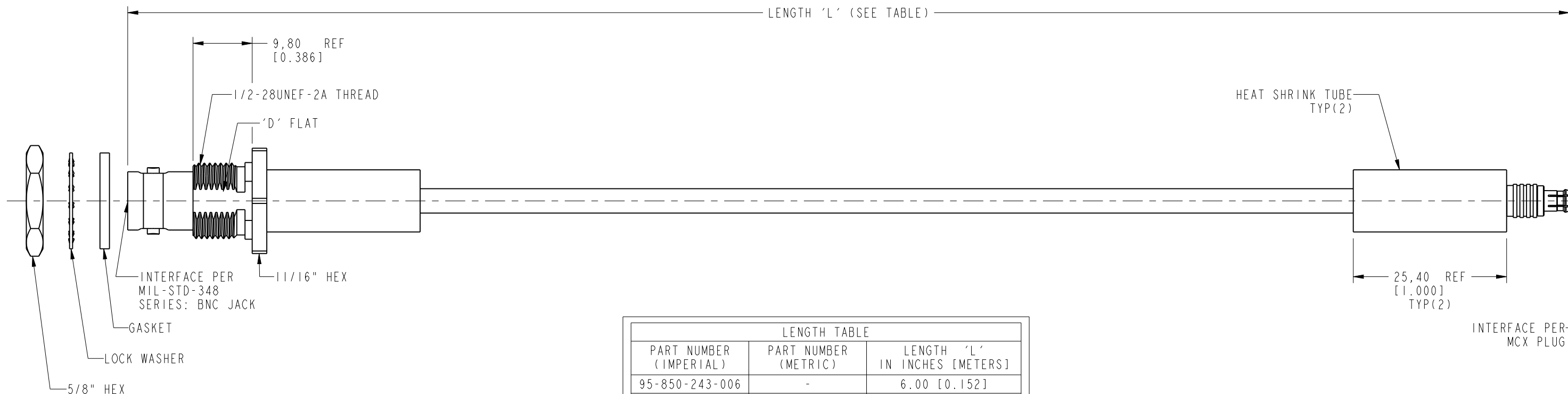
REV	DESCRIPTION	DATE	ECO	APPR
A	RELEASE TO MFG.	25-Nov-19	13781	CL



RECOMMENDED MOUNTING HOLE DIMENSIONS



SCALE 0.400



LENGTH TABLE		
PART NUMBER (IMPERIAL)	PART NUMBER (METRIC)	LENGTH 'L' IN INCHES [METERS]
95-850-243-006	-	6.00 [0.152]
95-850-243-012	-	12.00 [0.305]
95-850-243-018	-	18.00 [0.457]
95-850-243-024	-	24.00 [0.610]
95-850-243-036	-	36.00 [0.914]
-	95-850-243M100	39.37 [1.000]
-	95-850-243M200	78.74 [2.000]
-	95-850-243M300	118.11 [3.000]
-	95-850-243M500	196.85 [5.000]

TOLERANCE TABLE	
LENGTH IN INCHES/FT [METERS]	TOLERANCE
0" - 23.90" [0 - 0.607]	±0.25" [0.006]
24.00" - 59.00" [0.610 - 1.499]	±0.50" [0.013]
5.0' - 24.9' [1.524 - 7.617]	±2.5%
25.0' & UP [7.620 & UP]	±5.0%

DESIGN REQUIREMENTS:

<input checked="" type="checkbox"/> FREQUENCY: DC - 12 GHz	<input checked="" type="checkbox"/> CONTINUITY
<input type="checkbox"/> VSWR: _____ 1 MAX.	<input checked="" type="checkbox"/> HI-POT: 250 VRMS
<input type="checkbox"/> INS. LOSS: _____ dB MAX.	<input type="checkbox"/> OTHER

CUSTOMER OUTLINE DRAWING
 ALL OTHER SHEETS ARE FOR INTERNAL USE ONLY

UNLESS OTHERWISE SPECIFIED, DIMENSIONS ARE IN INCHES AND TOLERANCES ARE: 2 PLACE DECIMAL 3 PLACE DECIMAL ±.015 (0,381 mm) ±.005 (0,127 mm) ANGLES ± 1°	MATERIAL	DRAWN	DATE	TITLE 75 OHM BNC STR BHD JACK TO MCX STR PLUG USING BELDEN 4855R CABLE VARIOUS LENGTH SCALE: 1.5:1.0 SHEET 2 OF 2	Amphenol RF www.amphenolrf.com
	SEE NOTES	CLEMENT	29-Oct-19		
NOTICE - These drawings, specifications, or other data (1) are, and remain the property of Amphenol corp. (2) must be returned upon request; and (3) are confidential and not to be disclosed to any person other than those to whom they are given by Amphenol Corp. the furnishing of these drawings, specifications, or other data by Amphenol Corp., or to any other person to anyone for any purpose is not to be regarded by implication or otherwise in any manner licensing, granting rights to permitting such holder or any other person to manufacture, use or sell any product, process or design, patented or otherwise, that may in any way be related to or disclosed by said drawings, specifications, or other data.	REFERENCE	ENGINEER	DATE	DRAWING NO. 95-850-243-XXX ITEM NO. 95-850-243-XXX	
	EAR # 9491	CLEMENT	29-Oct-19		
	CONFIGURATION LEVEL: In Work	APPROVED	DATE		PART NO. 95-850-243-XXX
FINISH	K.CAPOZZI	25-Nov-19			
		CAD FILE		DWG SIZE B	REV A