

PART NO.	ENGINEERING NO.	FINISHED LENGTH
1201080688	E16A03004M010	1.0M [3'3"]
1201080183	E16A03004M020	2.0M [6'7"]
1201080599	E16A03004M030	3.0M [9'10"]
1201080600	E16A03004M050	5.0M [16'5"]
1201080743	E16A03004M100	10.0M [32'10"]

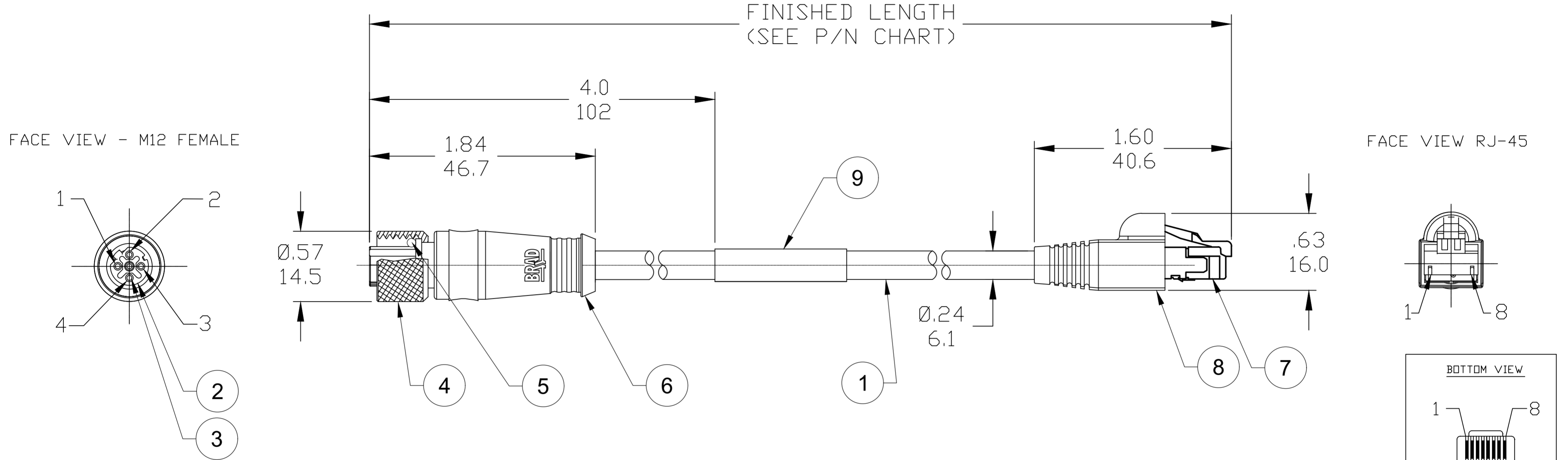
PART NUMBER LEGEND

E16A03004M010

FINISHED LENGTH:
M005= 0.5 METER
M010= 1 METER
M100= 10 METER

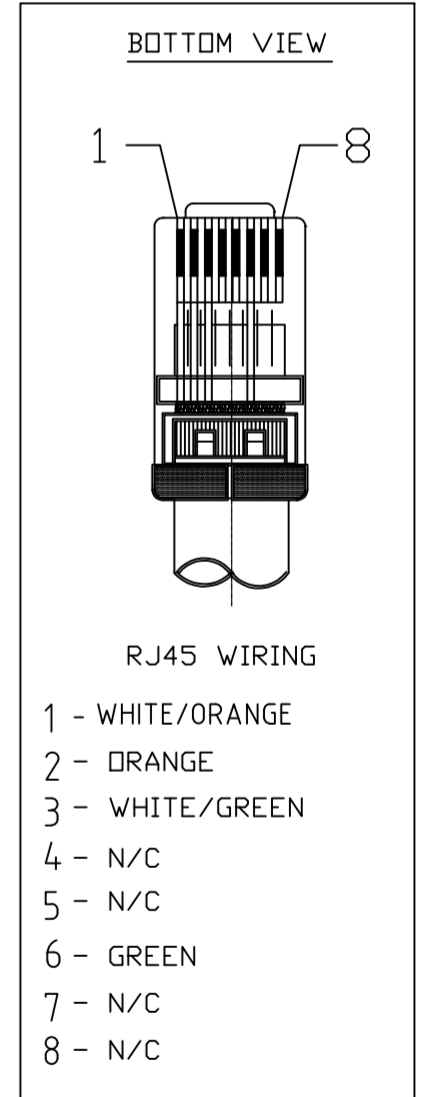
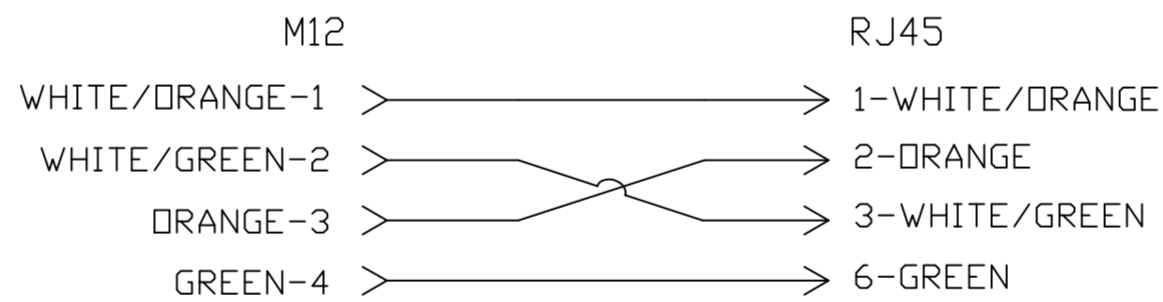
CABLE LENGTH TOLERANCES

>.3M [1FT]	+19mm-0 [+.75in-0]
.3 - .9M [1 - 3FT]	+44.5mm-0 [+1.75in-0]
.9 - 1.8M [3 - 6FT]	+55.6mm-0 [+2.19in-0]
1.8 - 3.7M [6 - 12FT]	+88.9mm-0 [+3.50in-0]
3.7 - 7.3M [12 - 24FT]	+165.1mm-0 [+6.50in-0]
7.3-14.6M [24 - 48FT]	+317.5mm-0 [+12.50in-0]
14.6 - 30.5M [48-100FT]	+622.3mm-0 [+24.50in-0]
OVER 30M [100FT]	+2% OF FINISHED LENGTH



NOTES:

- MATERIAL: AS NOTED
- FINISH: AS NOTED
- ELECTRICAL:
VOLTAGE: 125V
CURRENT: 1.5A
- TEMP RATING: -25°C TO +105°C
- PROTECTION: IP67 (WHEN MATED)
- COUPLING THREAD: M12 X 1.0
- ALL DIMS ARE FOR REFERENCE UNLESS TOLERANCED OR NOTED OTHERWISE



ITEM	DESCRIPTION	MATERIAL	FINISH
9	WRAP LABEL	VINYL	BLACK/YELLOW
8	RJ-45 BOOT	PVC	BLACK
7	RJ-45 PLUG	PC, PHOS-BRNZ	CLEAR, GOLD PLATE CONTACT
6	OVERMOLD	PUR	BLACK
5	O-RING	VITON	RED
4	COUPLING NUT	BRASS	NICKEL PLATED
3	CONTACT SOCKET	COPPER ALLOY	GOLD PLATED
2	FEMALE INSERT, 4P	PUR	BLACK
1	#24-4 TEAL ETHERNET CAT5E	TPE JACKET	TEAL

THIS DRAWING CONTAINS INFORMATION THAT IS PROPRIETARY TO MOLEX ELECTRONIC TECHNOLOGIES, LLC AND SHOULD NOT BE USED WITHOUT WRITTEN PERMISSION

SYMBOLS

SYMBOL	DIMENSION UNITS	SCALE	CURRENT REV DESC:
$\nabla = 0$	INCH/MM	1:1	RELEASED
$\nabla = 0$	GENERAL TOLERANCES (UNLESS SPECIFIED)		
$\nabla = 0$	mm	INCH	
$\nabla = 0$	4 PLACES	±----	EC NO: 622338
$\nabla = 0$	3 PLACES	±----	DRWN: RSTONE 2019/08/13
$\nabla = 0$	2 PLACES	±----	CHK'D: CCHRSTKA 2019/08/14
$\nabla = 0$	1 PLACE	±----	APPR: BWOODMAN 2019/08/20
$\nabla = 0$	0 PLACES	±----	INITIAL REVISION:
$\nabla = 0$	ANGULAR TOL ± ---- °		
$\nabla = 0$	DRAFT WHERE APPLICABLE MUST REMAIN WITHIN DIMENSIONS		
$\nabla = 0$	THIRD ANGLE PROJECTION	DRAWING	SERIES
		C-SIZE	120108

PRODUCT CUSTOMER DRAWING

DOCUMENT NUMBER: 1201080183
DOC TYPE: PSD
DOC PART: 000
REVISION: A

MATERIAL NUMBER: SEE P/N CHART
CUSTOMER: ----
SHEET NUMBER: 1 OF 1