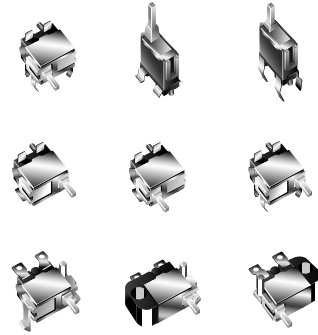


2mm Size Detector Switches, Type 2NV

Type: **ESE21**



A compact detector switch operatable by light operating force, applicable to detection or recognition of media or mechanism mode for electronic equipment.

■ Features

- Compact, outer dimensions: □ 3.4mm, height: 2.3mm
- Light operating force: 300 mN (31 gf) max.
- Highly reliable contact through our own self-wiping leaf spring contact construction
- Reflow soldering type available

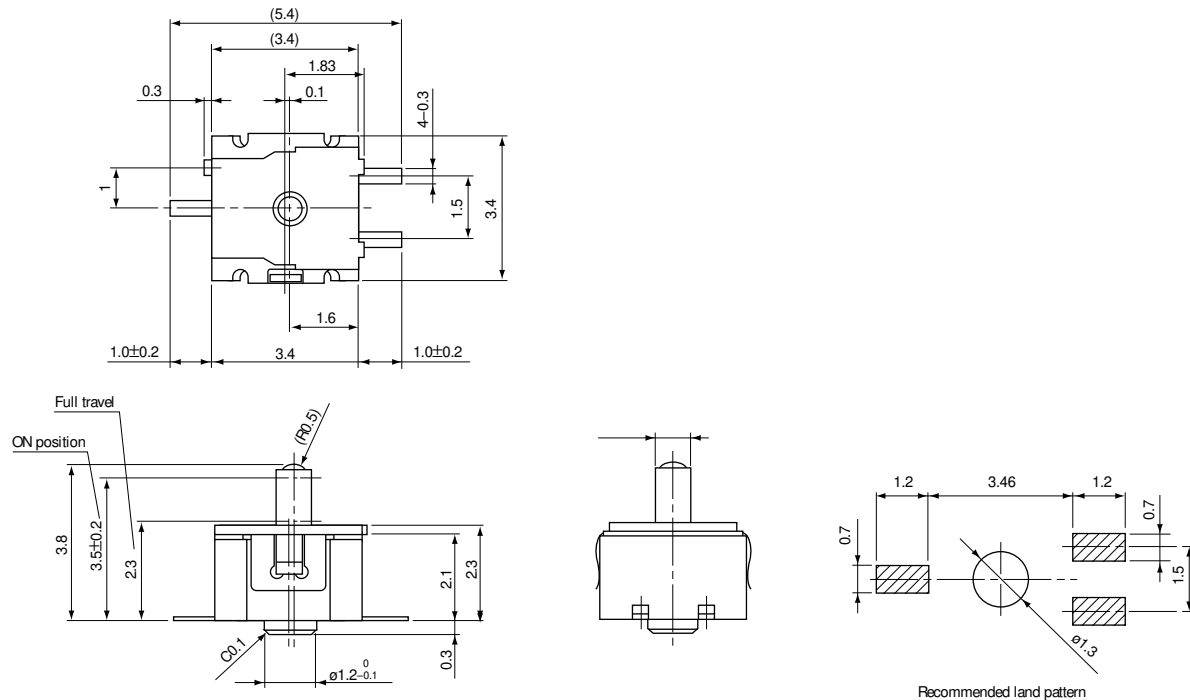
■ Recommended Applications

- Detection or recognition of 1/2" FDDs, MD players, DCC players
- Detection of mechanical position mode

■ Major Specifications

Rating	10 mA 5 V DC (resistive load)	Mounting height	2.3mm
Operating force	300 mN (31 gf) max.	Poles and positions	1-pole, 1-position

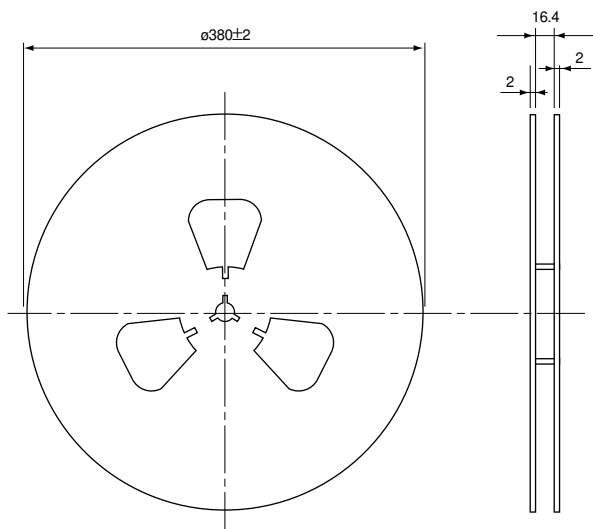
■ Dimensions in mm (not to scale)



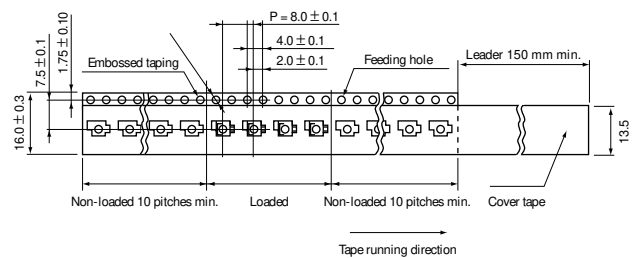
■ Packaging Methods

Standard Reel Dimensions in mm (not to scale)

Taping Reel



Embossed Carrier Taping



Standard Packaging Quantity

Part No.	Packaging
ESE2101BT	2,000 pcs.