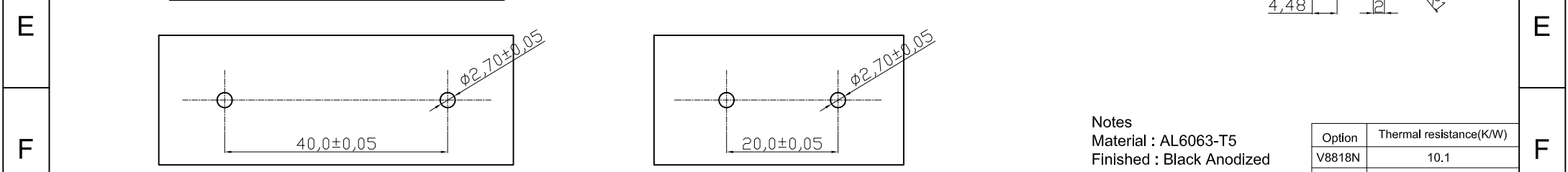
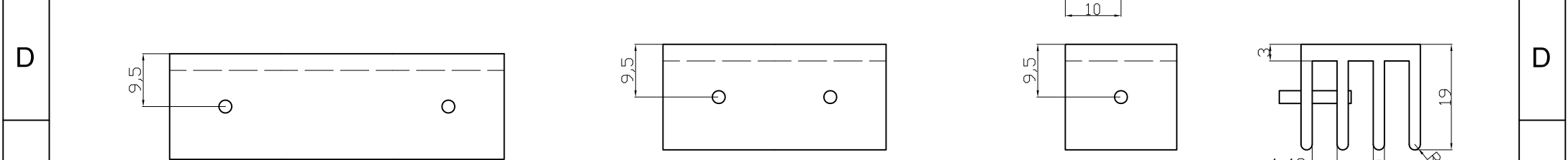
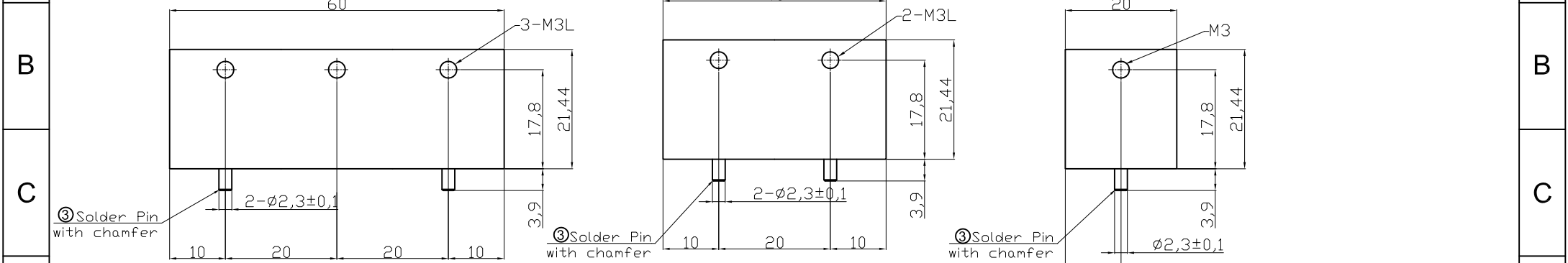


1 2 3 4 5 6 7

A V8818V V8818Q V8818N A



Notes
Material : AL6063-T5
Finished : Black Anodized

Option	Thermal resistance(K/W)
V8818N	10.1
V8818Q	8.8
V8818V	7.5

RoHS compliant
Unit: mm

Scale	Free					Date	Name	Customer-No.
TOLERANCE						Drawn	11.08.2009	Dean
X.	$\pm X$					Approved	24.02.2014	Amy
X.X	$\pm X$							
Unit	$\pm 0,20$	③	Add PCB layout information	24.02.2014	Amy			
DIM	TOL	②	Modify drawing layout	10.03.2010	Alex			
X.°	$\pm X^\circ$	①	Drawn	11.08.2009	Dean			
X.X°	$\pm X^\circ$							
Angle	TOL	Id.	Modification	Date	Name			



ASSMANN WSW-No. V8818x	
Drawing-No. ASS 0873 HS	rev03
Replace	Sheet

1 2 3 4 5 6 7

A B C D E F G H

A B C D E F G H