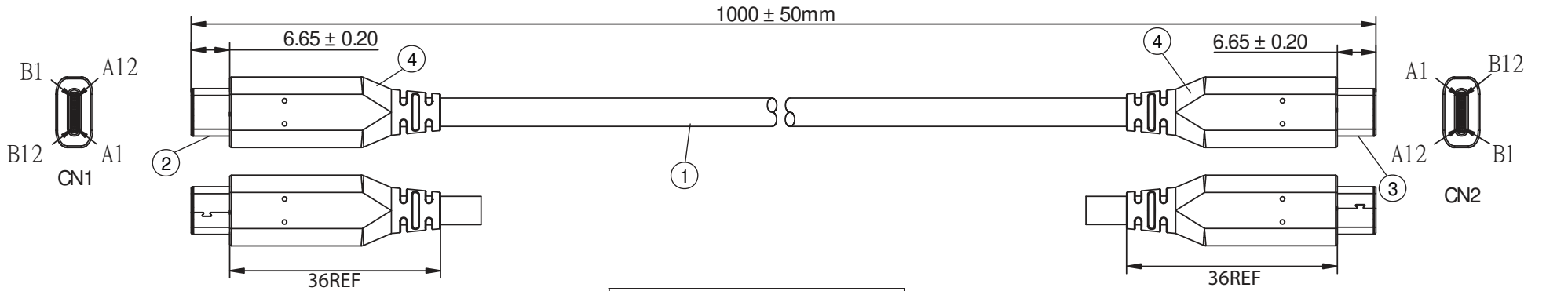
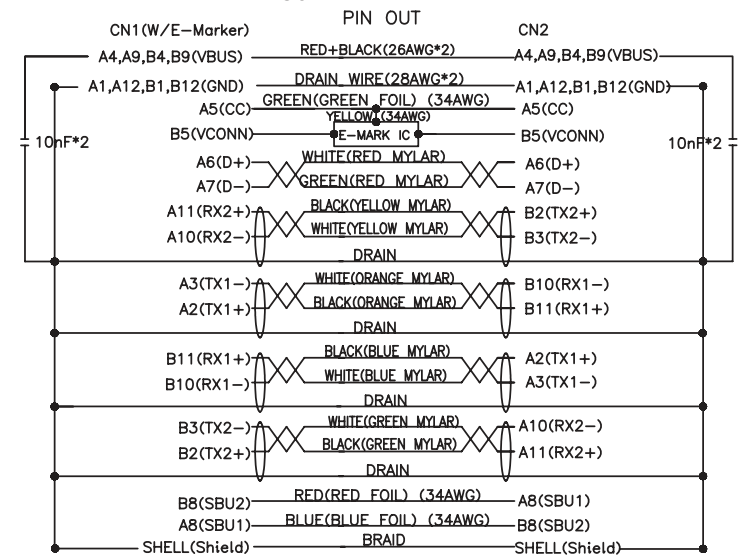
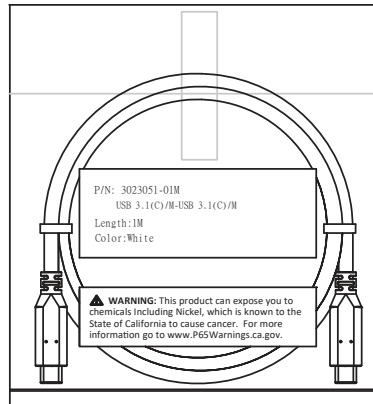


THESE DRAWINGS ARE THE PROPERTY OF QUALTEK ELECTRONICS AND NOT TO BE REPRODUCED FOR OR COMMUNICATED TO A THIRD PARTY WITHOUT THE EXPRESS WRITTEN PERMISSION OF AN OFFICER OF QUALTEK ELECTRONICS.

REVISION			
REV.	DESCRIPTION	DATE	APPROVED



P/N: 3023051-01M
 USB 3.1(C)/M-USB 3.1(C)/M
 Length: 1M
 Color: White



NOTES:

- CABLE: UL 2725**
 (30AWGx1PR+ EAM)x4+(31AWGx2K+AM)
 +26AWGx2C+34AWGx1C+(34AWGx1C+A)x3+A2EB 85%
 PVC OUTER JACKET: WHITE, OD: 5.0 ± 0.2mm
- CONNECTOR: USB 3.1 GEN 1 TYPE C MALE**
 INSULATOR: BLACK PBT
 PIN 30u" GOLD PLATED
 NICKEL PLATED SHELL
- CONNECTOR: USB 3.1 GEN 1 TYPE C MALE**
 INSULATOR: BLACK PBT
 PIN 30u" GOLD PLATED
 NICKEL PLATED SHELL
 PCB WITH IC E-MARKED
- PVC MOLDED: COLOR 45P WHITE**
- ELECTRICAL TEST:**
 - >100% OPEN SHORT & MISS WIRE TEST
 - >HI-POT: 50V AC/0.01 SEC 50V DC/0.01 SEC
 - >INSULATION RESISTANCE: 10M OHM (MIN)
 - >CONDUCTIVE RESISTANCE: 2 OHM (MAX)
 - >CAPACITANCE DETECTION: 20nF ± 20% BETWEEN A1 AND A4
- DATA TRANSFER RATE UP TO 5Gbps (NOMINAL)**
- CURRENT RATING UP TO 5A (NOMINAL)**
- VOLTAGE RATING UP TO 20V (NOMINAL)**
- PACKING: 1PC/POLYBAG W/ LABEL**

CONTROLLED

Dim range (mm)	Tolerance +/- (mm)	Qualtek Electronics Corp. WCI DIVISION		
		Part Number: 3023051-01M		RoHS Compliant
0-1	0.15	Description: USB 3.1(C)/M - USB 3.1 (C)/M		
1-6	0.20			
6-18	0.30	UNIT: mm		
18-50	0.50	Drawn / Date	Checked / Date	Approved / Date
50-120	0.70	R Nuti	10-29-18	LY / 10-29-18
120-250	0.90			
250-500	1.20			