

Thin-Film RF/Microwave Filters

1206 High Performance Low Pass 8W

General Information – SMD Termination



ITF TECHNOLOGY

The ITF LGA Filter is based on thin-film multilayer technology. The technology provides a miniature part with excellent high frequency performance and rugged construction for reliable automatic assembly.

The ITF Filter is offered in a variety of frequency bands compatible with various types of high frequency wireless systems.

FEATURES

- Small size: 1206
- Frequency: 700 – 3800 MHz
- Characteristic impedance: 50Ω
- Operating/Storage temp: -40°C to +85°C
- Low profile
- Rugged construction
- Taped and reeled
- RoHS compliant

APPLICATIONS

- Base Station
- 5G & 6G / UWB
- Mobile communications
- Satellite TV receivers
- GPS
- Vehicle location systems
- Wireless LAN's

FINAL QUALITY INSPECTION

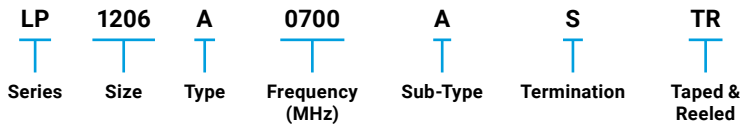
Finished parts are 100% tested for electrical parameters and visual/ mechanical characteristics. Each production lot is evaluated on a sample basis for:

- Static Humidity: 85°C, 85% RH, 160 hours
- Endurance : 125°C, IR, 4 hours

TERMINATION

Nickel/ Lead free Solder coating (Sn100) compatible with automatic soldering technologies: reflow, wave soldering, vapor phase and manual.

HOW TO ORDER



ELECTRICAL SPECIFICATION

| Part Number | Fc [MHz] | I.L [dB] @Fc | VSWR @ Fc | Rejection [dB] | Rejection [dB] | Rejection [dB] | Rejection [dB] |
|-----------------|----------|--------------|-----------|-------------------------|-------------------------|-------------------------|------------------|
| LP1206A0700ASTR | 700 | -0.8 | 1:1.22 | -20dB at 980MHz | -45dB at 1400MHz | -45dB at 2100MHz | -30dB at 2800MHz |
| LP1206A0860ASTR | 860 | -0.85 | 1:1.285 | -25dB at 1204MHz | -45dB at 1720MHz | -45dB at 2580MHz | -30dB at 3440MHz |
| LP1206A1000ASTR | 1000 | -0.7 | 1:1.43 | -30dB at 1500 - 2000MHz | -25dB at 2000 - 3000MHz | -25dB at 3000 - 4000MHz | ----- |
| LP1206A1100ASTR | 1100 | -0.8 | 1:1.43 | -30dB at 2000 - 4000MHz | ----- | ----- | ----- |
| LP1206A1500ASTR | 1500 | -0.7 | 1:1.43 | -30dB at 2000 - 3000MHz | -25dB at 3000 - 4000MHz | -20dB at 4500- 6000 MHz | ----- |
| LP1206A1600ASTR | 1600 | -0.8 | 1:1.43 | -30dB at 2200 - 4000MHz | -20dB at 4000 - 6000MHz | ----- | ----- |
| LP1206A2000ASTR | 2000 | -0.8 | 1:1.43 | -27dB at 3000 - 4000MHz | -25dB at 4000 - 6000MHz | -20dB at 6000 - 8000MHz | ----- |
| LP1206A2500ASTR | 2500 | -0.8 | 1:1.43 | -27dB at 4000 - 5000MHz | -25dB at 5000 - 7500MHz | -25dB at 7500 - 8500MHz | ----- |
| LP1206A2600ASTR | 2600 | -0.7 | 1:1.43 | -25dB at 4000 - 6000MHz | -18dB at 6000 - 8000MHz | ----- | ----- |
| LP1206A3200ASTR | 3200 | -0.85 | 1:1.22 | -30dB at 4.48GHz | -40dB at 6.4GHz | -25dB at 9.6GHz | -25dB at 10GHz |
| LP1206A3500ASTR | 3500 | -0.7 | 1:1.285 | -30dB at 4.9GHz | -40dB at 7GHz | -25dB at 10.5GHz | -15dB at 11GHz |
| LP1206A3600ASTR | 3600 | -0.7 | 1:1.12 | -30dB at 5.04GHz | -35dB at 7.2GHz | -25dB at 10.8GHz | ----- |
| LP1206A3800ASTR | 3800 | 0.8 | 1:1.22 | -35dB at 5.32GHz | -28dB at 7.6GHz | -33dB at 10GHz | ----- |

Click on part number to see full specifications

Thin-Film RF/Microwave Filters

1206 High Performance Low Pass 8W

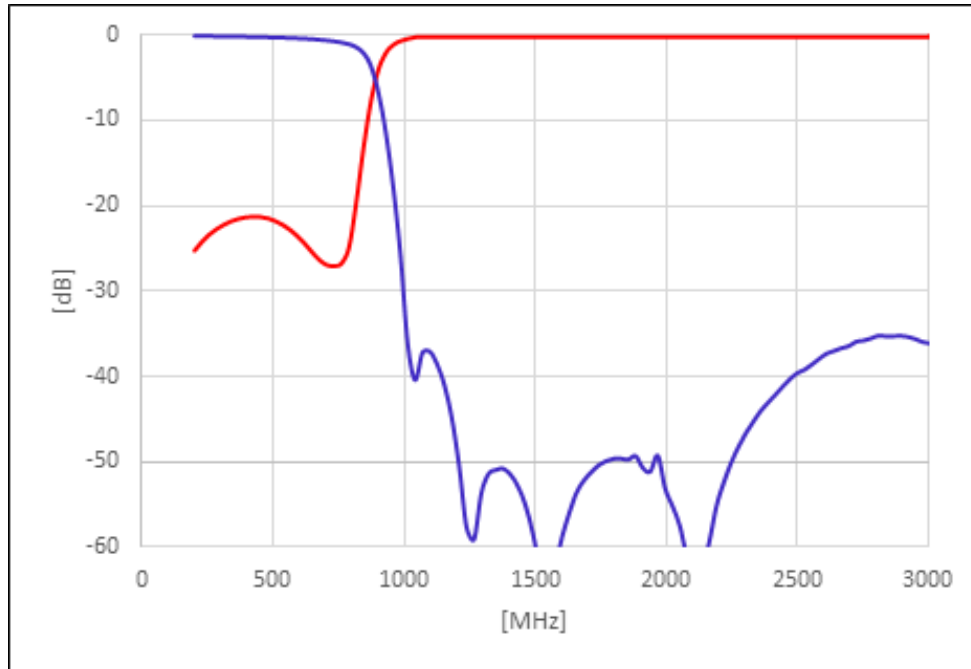
LP1206A0700ASTR – SMD Termination



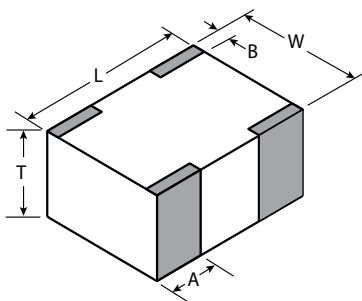
TYPICAL ELECTRICAL PERFORMANCE

| P/N | I.Loss @ 700MHz | R.Loss @ 700MHz | Attenuation |
|-----------------|-----------------|-----------------|---|
| LP1206A0700ASTR | 0.8dB max. | -20dB | -20dB at 980MHz -45dB at 1400MHz -45dB at 2100MHz -30dB at 2800MHz |

[Click here to return to main table.](#)



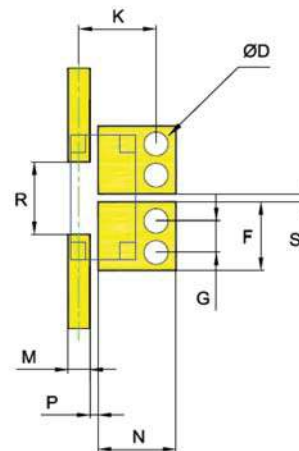
DIMENSIONS (TOP VIEW)



mm (inches)

| | |
|---|----------------------------|
| L | 3.08±0.1 (0.121±0.004) |
| W | 1.60±0.1 (0.063±0.004) |
| T | 0.87±0.1 (0.034±0.004) |
| A | 0.61±0.25 (0.028±0.010) |
| B | 0.35±0.15 (0.014±0.006) |

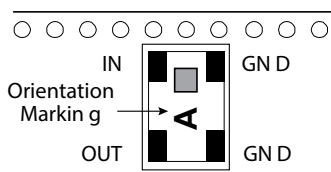
RECOMMENDED PAD LAYOUT



mm (inches)

| | |
|---|-----------------------------|
| F | 1.70±0.05 (0.067±0.002) |
| G | 0.78±0.05 (0.031±0.002) |
| K | 1.91±0.10 (0.075±0.004) |
| M | 0.54±0.025 (0.021±0.001) |
| N | 1.93±0.05 (0.076±0.002) |
| P | 0.21±0.04 (0.008±0.002) |
| R | 1.80±0.04 (0.071±0.002) |
| S | 0.20±0.04 (0.008±0.002) |
| D | 0.60±0.10 (0.024±0.004) |

TERMINAL AND LAYOUT (TOP VIEW)



Thin-Film RF/Microwave Filters

1206 High Performance Low Pass 8W

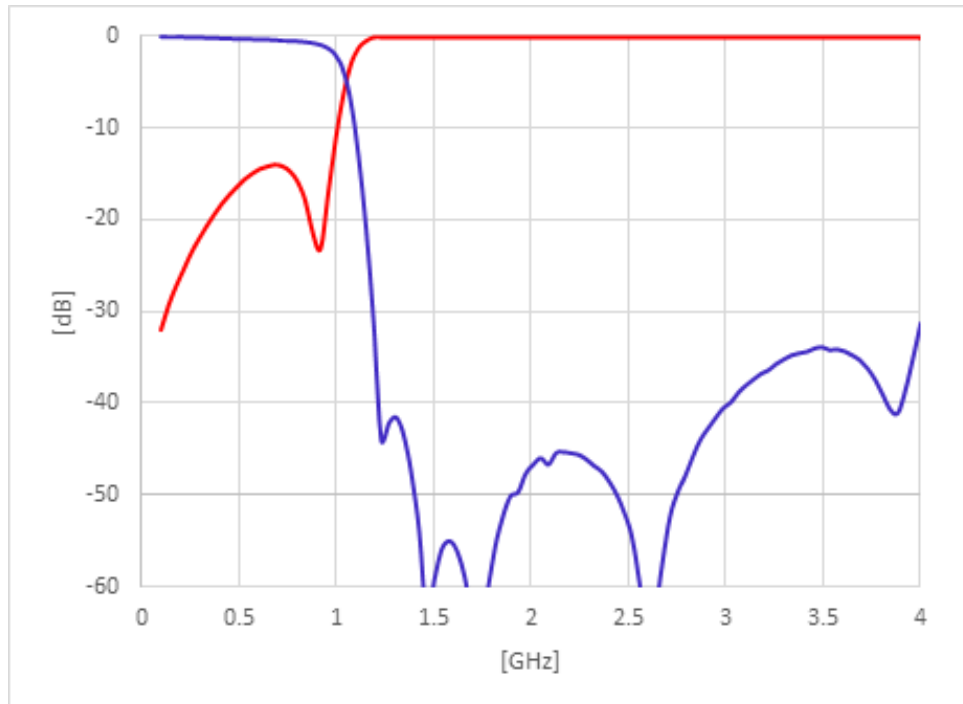
LP1206A0860ASTR – SMD Termination



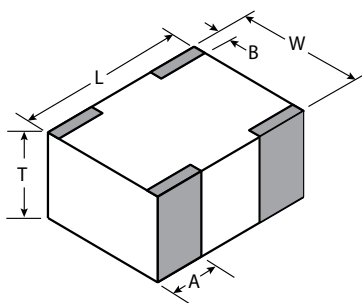
TYPICAL ELECTRICAL PERFORMANCE

| P/N | I.Loss @ 860MHz | R.Loss @ 860MHz | Attenuation |
|-----------------|-----------------|-----------------|--|
| LP1206A0860ASTR | 0.85dB max. | -18dB | -25dB at 1204MHz -45dB at 1720MHz -45dB at 2580MHz -30dB at 3440MHz |

[Click here to return to main table.](#)



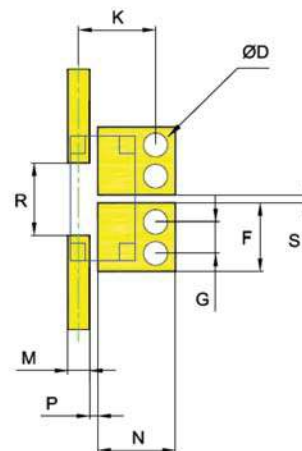
DIMENSIONS (TOP VIEW)



mm (inches)

| | |
|---|----------------------------|
| L | 3.08±0.1 (0.121±0.004) |
| W | 1.60±0.1 (0.063±0.004) |
| T | 0.87±0.1 (0.034±0.004) |
| A | 0.61±0.25 (0.028±0.010) |
| B | 0.35±0.15 (0.014±0.006) |

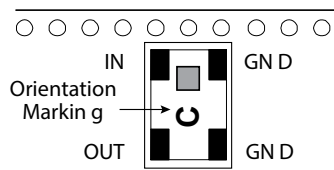
RECOMMENDED PAD LAYOUT



mm (inches)

| | |
|---|-----------------------------|
| F | 1.70±0.05 (0.067±0.002) |
| G | 0.78±0.05 (0.031±0.002) |
| K | 1.91±0.10 (0.075±0.004) |
| M | 0.54±0.025 (0.021±0.001) |
| N | 1.93±0.05 (0.076±0.002) |
| P | 0.21±0.04 (0.008±0.002) |
| R | 1.80±0.04 (0.071±0.002) |
| S | 0.20±0.04 (0.008±0.002) |
| D | 0.60±0.10 (0.024±0.004) |

TERMINAL AND LAYOUT (TOP VIEW)



The Important Information/Disclaimer is incorporated in the catalog where these specifications came from or available online at www.kyocera-avx.com/disclaimer/ by reference and should be reviewed in full before placing any order.

TDS-RFM-0048 | Rev 1

– RF MICROWAVE PRODUCTS –

Thin-Film RF/Microwave Filters

1206 High Performance Low Pass 8W

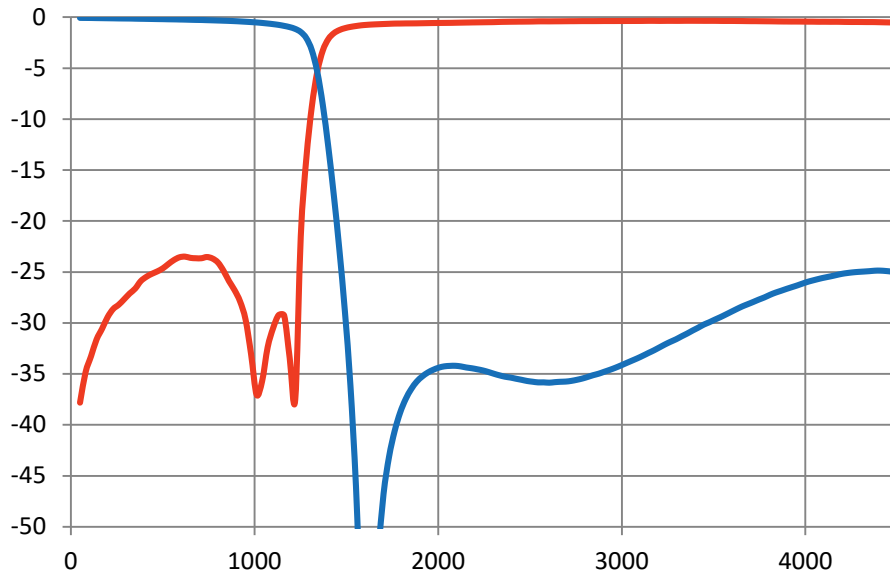
LP1206A1000ASTR – SMD Termination



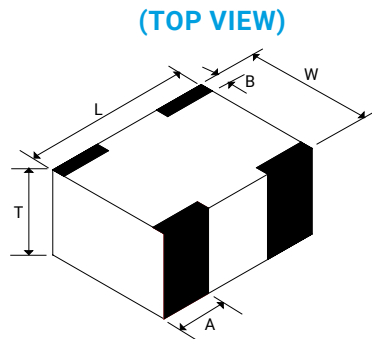
TYPICAL ELECTRICAL PERFORMANCE

| P/N | I.Loss @ 1000MHz | R.Loss @ 1000MHz | ATTENUATION [min.] |
|-----------------|------------------|------------------|---|
| LP1206A1000ASTR | 0.7dB max. | -15dB | -30dB at 1500-2000MHz -25dB at 2000-3000MHz -25dB at 3000-4000MHz |

[Click here to return to main table.](#)



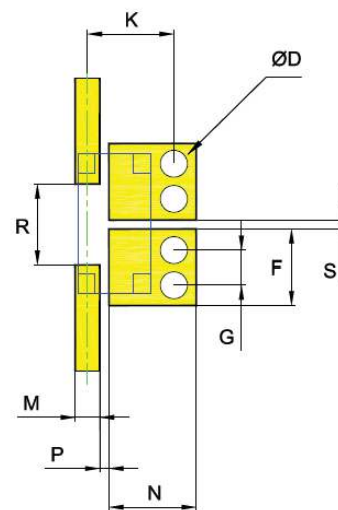
DIMENSIONS



mm (inches)

| | |
|---|----------------------------|
| L | 3.08±0.1 (0.121±0.004) |
| W | 1.60±0.1 (0.063±0.004) |
| T | 0.87±0.1 (0.034±0.004) |
| A | 0.61±0.25 (0.028±0.010) |
| B | 0.35±0.15 (0.014±0.006) |

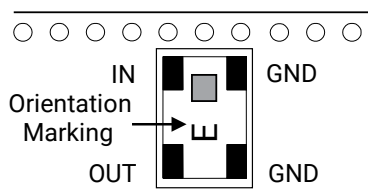
RECOMMENDED PAD LAYOUT



(mm)

| | |
|---|------------|
| F | 1.70±0.05 |
| G | 0.78±0.05 |
| K | 1.91±0.10 |
| M | 0.54±0.025 |
| N | 1.93±0.05 |
| P | 0.21±0.04 |
| R | 1.80±0.04 |
| S | 0.20±0.04 |
| D | 0.6±0.1 |

TERMINALS (TOP VIEW)



Thin-Film RF/Microwave Filters

1206 High Performance Low Pass 8W

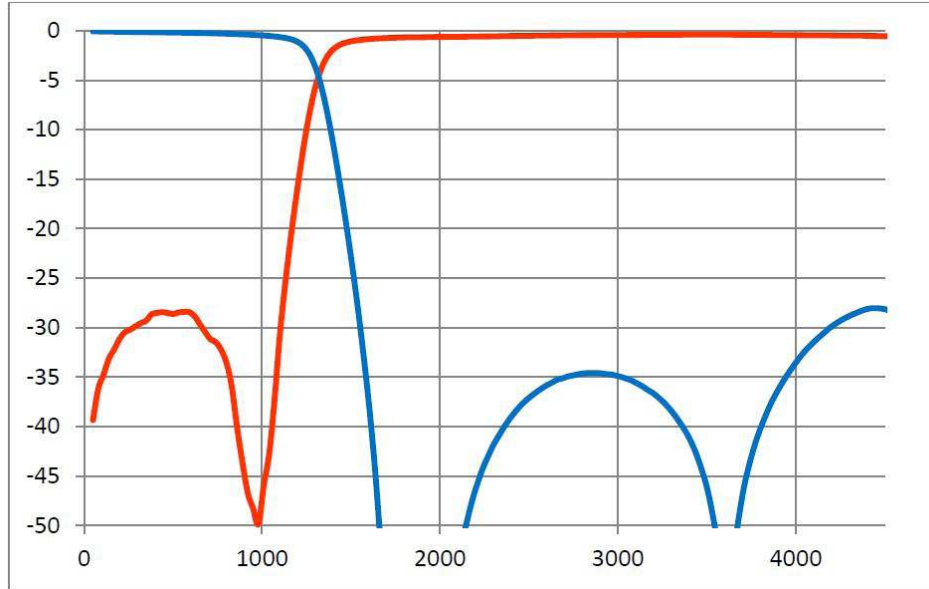
LP1206A1100ASTR – SMD Termination



TYPICAL ELECTRICAL PERFORMANCE

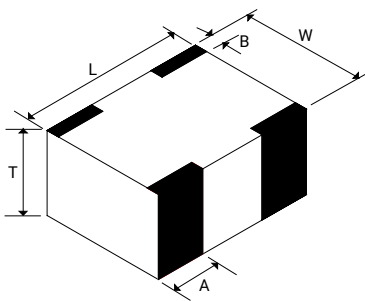
| P/N | I.Loss @ 1100MHz | R.Loss @ 1100MHz | ATTENUATION [min.] |
|-----------------|------------------|------------------|-----------------------|
| LP1206A1100ASTR | 0.8dB max. | -15dB | -30dB at 2000-4000MHz |

[Click here to return to main table.](#)



DIMENSIONS

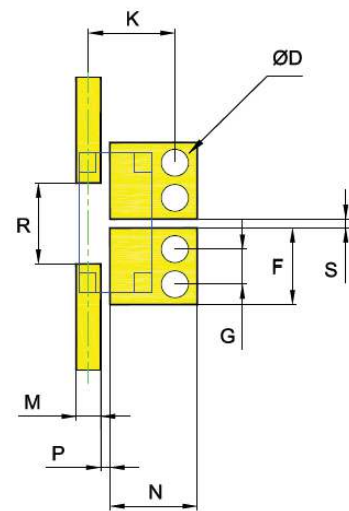
(TOP VIEW)



mm (inches)

| | |
|---|----------------------------|
| L | 3.08±0.1 (0.121±0.004) |
| W | 1.60±0.1 (0.063±0.004) |
| T | 0.87±0.1 (0.034±0.004) |
| A | 0.61±0.25 (0.028±0.010) |
| B | 0.35±0.15 (0.014±0.006) |

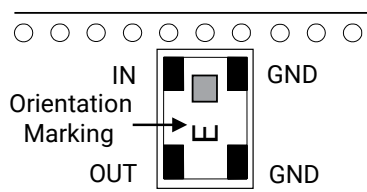
RECOMMENDED PAD LAYOUT



(mm)

| | |
|---|------------|
| F | 1.70±0.05 |
| G | 0.78±0.05 |
| K | 1.91±0.10 |
| M | 0.54±0.025 |
| N | 1.93±0.05 |
| P | 0.21±0.04 |
| R | 1.80±0.04 |
| S | 0.20±0.04 |
| D | 0.6±0.1 |

TERMINALS (TOP VIEW)



The Important Information/Disclaimer is incorporated in the catalog where these specifications came from or available online at www.kyocera-avx.com/disclaimer/ by reference and should be reviewed in full before placing any order.

TDS-RFM-0048 | Rev 1

– RF MICROWAVE PRODUCTS –

Thin-Film RF/Microwave Filters

1206 High Performance Low Pass 8W

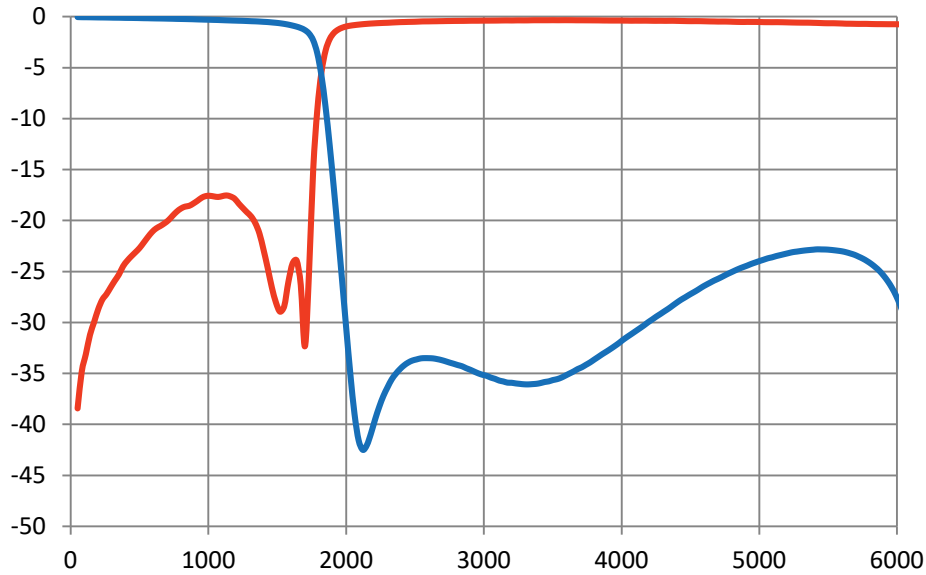
LP1206A1500ASTR – SMD Termination



TYPICAL ELECTRICAL PERFORMANCE

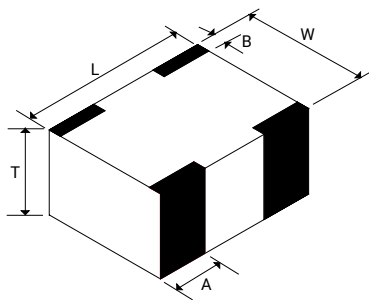
| P/N | I.Loss @ 1500MHz | R.Loss @ 1500MHz | ATTENUATION [min.] |
|-----------------|------------------|------------------|---|
| LP1206A1500ASTR | 0.8dB max. | -15dB | -30dB at 2000-3000MHz -25dB at 3000-4000MHz -20dB at 4500-6000MHz |

[Click here to return to main table.](#)



DIMENSIONS

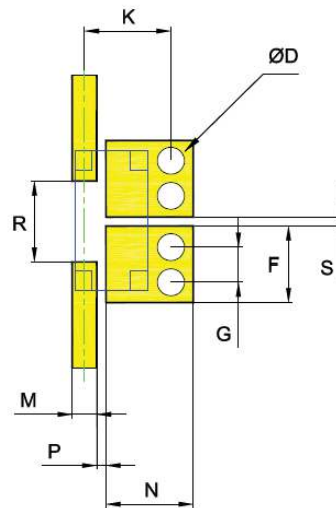
(TOP VIEW)



mm (inches)

| | |
|---|----------------------------|
| L | 3.08±0.1 (0.121±0.004) |
| W | 1.60±0.1 (0.063±0.004) |
| T | 0.87±0.1 (0.034±0.004) |
| A | 0.61±0.25 (0.028±0.010) |
| B | 0.35±0.15 (0.014±0.006) |

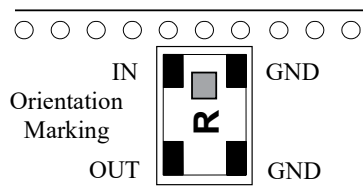
RECOMMENDED PAD LAYOUT



(mm)

| | |
|---|------------|
| F | 1.70±0.05 |
| G | 0.78±0.05 |
| K | 1.91±0.10 |
| M | 0.54±0.025 |
| N | 1.93±0.05 |
| P | 0.21±0.04 |
| R | 1.80±0.04 |
| S | 0.20±0.04 |
| D | 0.6±0.1 |

TERMINALS (TOP VIEW)



Thin-Film RF/Microwave Filters

1206 High Performance Low Pass 8W

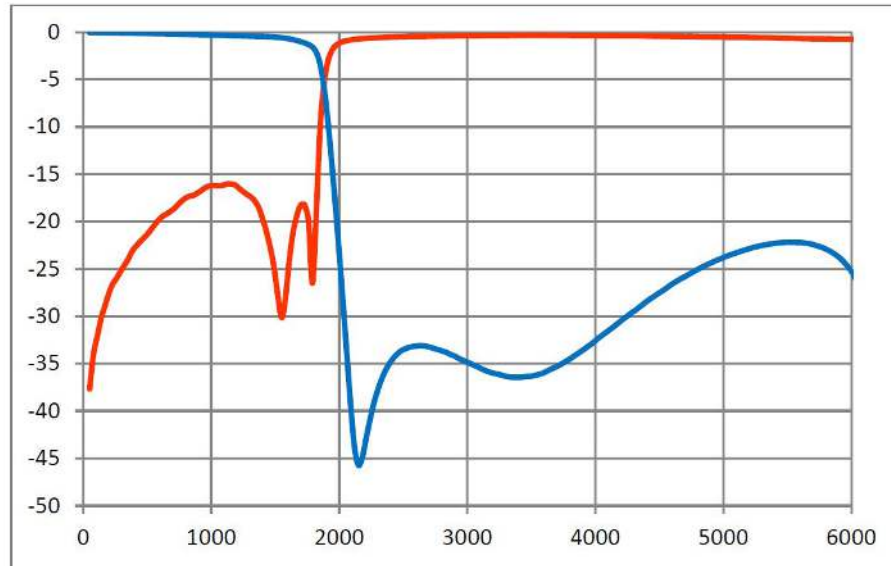
LP1206A1600ASTR – SMD Termination



TYPICAL ELECTRICAL PERFORMANCE

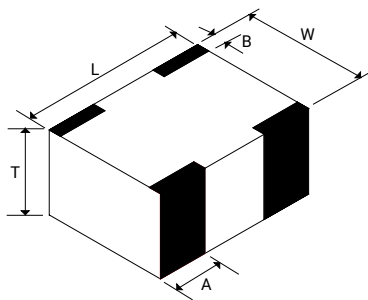
| P/N | I.Loss @ 1600MHz | R.Loss @ 1600MHz | ATTENUATION [min.] |
|-----------------|------------------|------------------|--|
| LP1206A1600ASTR | 0.8dB max. | -15dB | -30dB at 2200-4000MHz -20dB at 4001-6000MHz |

[Click here to return to main table.](#)



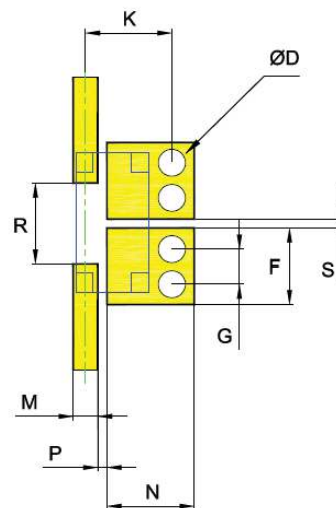
DIMENSIONS

(TOP VIEW)



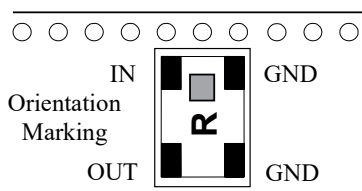
| mm (inches) | |
|-------------|----------------------------|
| L | 3.08±0.1 (0.121±0.004) |
| W | 1.60±0.1 (0.063±0.004) |
| T | 0.87±0.1 (0.034±0.004) |
| A | 0.61±0.25 (0.028±0.010) |
| B | 0.35±0.15 (0.014±0.006) |

RECOMMENDED PAD LAYOUT



| (mm) | |
|------|------------|
| F | 1.70±0.05 |
| G | 0.78±0.05 |
| K | 1.91±0.10 |
| M | 0.54±0.025 |
| N | 1.93±0.05 |
| P | 0.21±0.04 |
| R | 1.80±0.04 |
| S | 0.20±0.04 |
| D | 0.6±0.1 |

TERMINALS (TOP VIEW)



Thin-Film RF/Microwave Filters

1206 High Performance Low Pass 8W

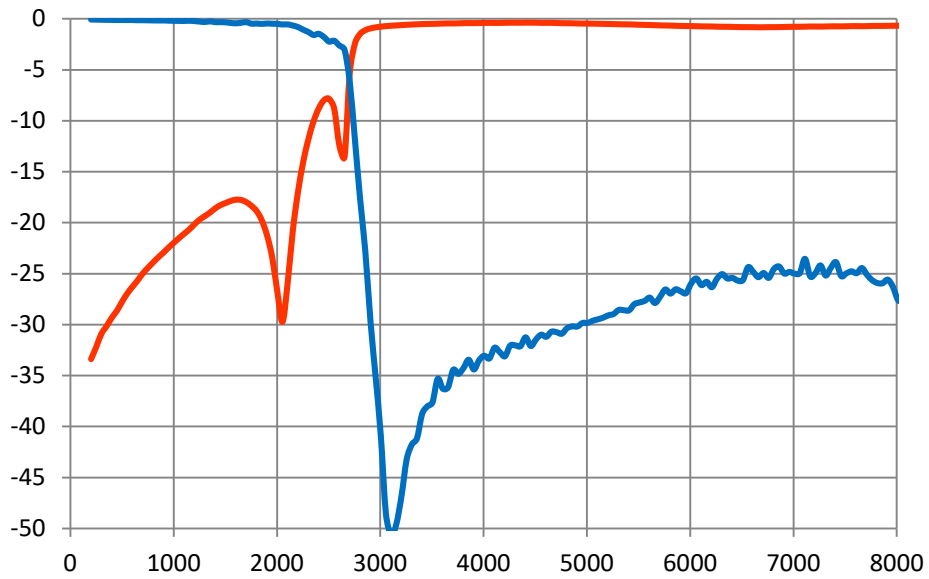
LP1206A2000ASTR – SMD Termination



TYPICAL ELECTRICAL PERFORMANCE

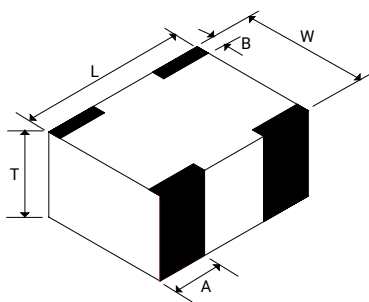
| P/N | I.Loss @ 2000MHz | R.Loss @ 2000MHz | ATTENUATION [min.] |
|-----------------|------------------|------------------|---|
| LP1206A2000ASTR | 0.7dB max. | -15dB | -27dB at 3000-4000MHz -25dB at 4000-6000MHz -20dB at 6000-8000MHz |

[Click here to return to main table.](#)



DIMENSIONS

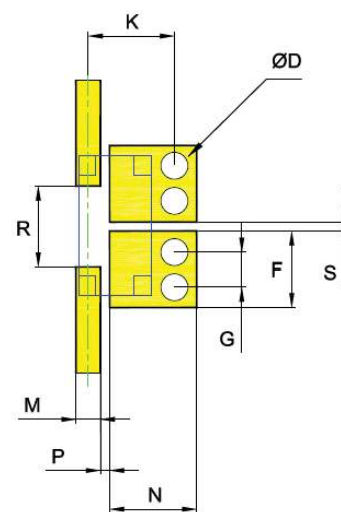
(TOP VIEW)



mm (inches)

| | |
|---|----------------------------|
| L | 3.08±0.1 (0.121±0.004) |
| W | 1.60±0.1 (0.063±0.004) |
| T | 0.87±0.1 (0.034±0.004) |
| A | 0.61±0.25 (0.028±0.010) |
| B | 0.35±0.15 (0.014±0.006) |

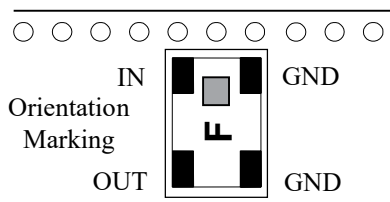
RECOMMENDED PAD LAYOUT



(mm)

| | |
|---|------------|
| F | 1.70±0.05 |
| G | 0.78±0.05 |
| K | 1.91±0.10 |
| M | 0.54±0.025 |
| N | 1.93±0.05 |
| P | 0.21±0.04 |
| R | 1.80±0.04 |
| S | 0.20±0.04 |
| D | 0.6±0.1 |

TERMINALS (TOP VIEW)



Thin-Film RF/Microwave Filters

1206 High Performance Low Pass 8W

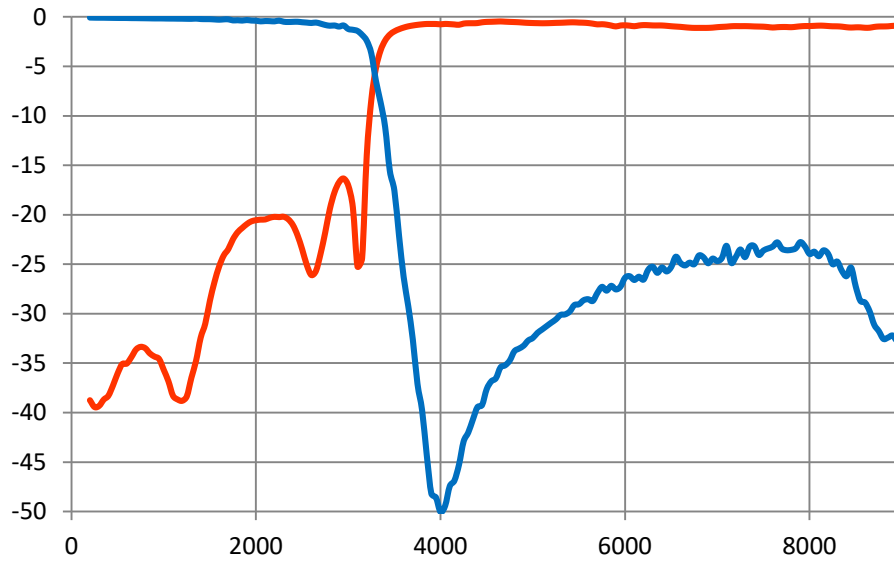
LP1206A2500ASTR – SMD Termination



TYPICAL ELECTRICAL PERFORMANCE

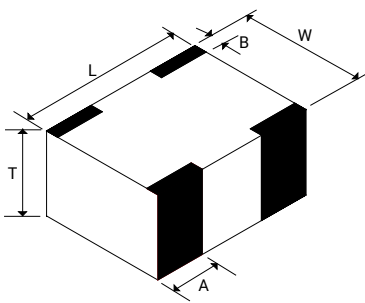
| P/N | I.Loss @ 2500MHz | R.Loss @ 2500MHz | ATTENUATION [min.] |
|-----------------|------------------|------------------|---|
| LP1206A2500ASTR | 0.7dB max. | -15dB | -25dB at 4000-5000MHz -22dB at 5000-7500MHz -15dB at 7500-8500MHz |

[Click here to return to main table.](#)



DIMENSIONS

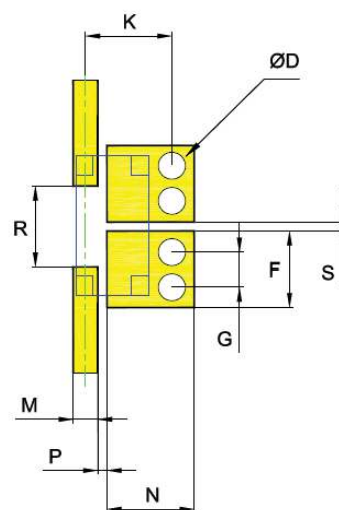
(TOP VIEW)



mm (inches)

| | |
|---|----------------------------|
| L | 3.08±0.1 (0.121±0.004) |
| W | 1.60±0.1 (0.063±0.004) |
| T | 0.87±0.1 (0.034±0.004) |
| A | 0.61±0.25 (0.028±0.010) |
| B | 0.35±0.15 (0.014±0.006) |

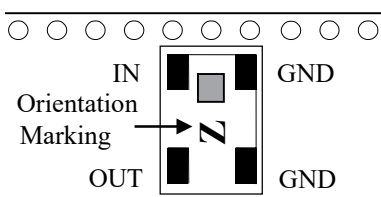
RECOMMENDED PAD LAYOUT



(mm)

| | |
|---|------------|
| F | 1.70±0.05 |
| G | 0.78±0.05 |
| K | 1.91±0.10 |
| M | 0.54±0.025 |
| N | 1.93±0.05 |
| P | 0.21±0.04 |
| R | 1.80±0.04 |
| S | 0.20±0.04 |
| D | 0.6±0.1 |

TERMINALS AND LAYOUT (TOP VIEW)



Thin-Film RF/Microwave Filters

1206 High Performance Low Pass 8W

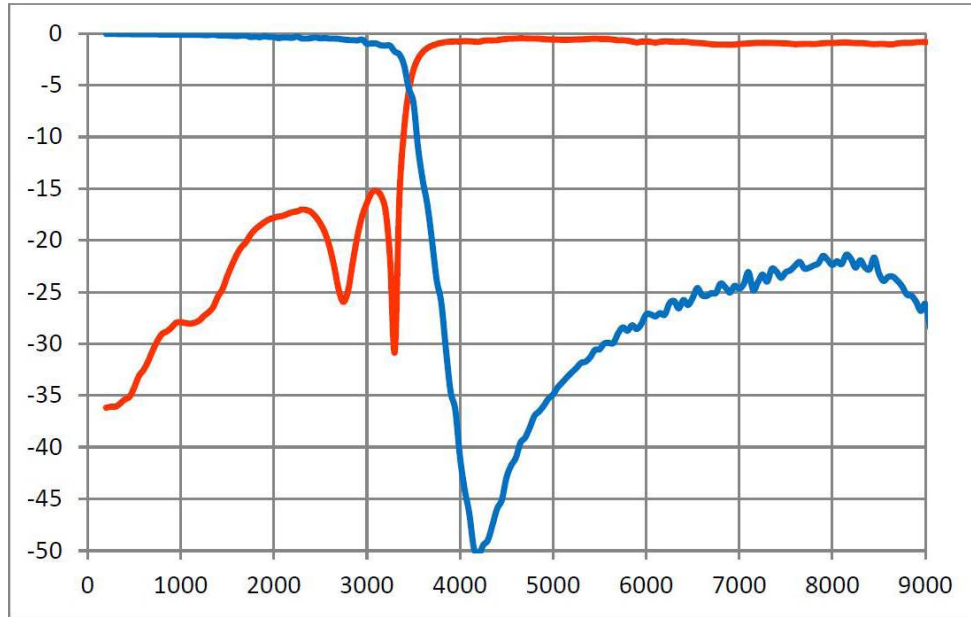
LP1206A2600ASTR – SMD Termination



TYPICAL ELECTRICAL PERFORMANCE

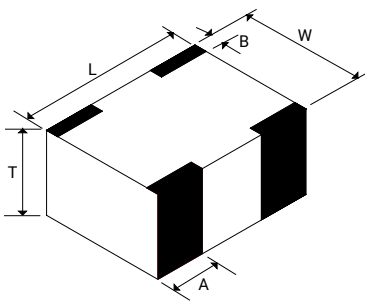
| P/N | I.Loss @ 2600MHz | R.Loss @ 2600MHz | ATTENUATION [min.] |
|-----------------|------------------|------------------|--|
| LP1206A2600ASTR | 0.7dB max. | -15dB | -25dB at 4000-6000MHz -18dB at 6001-8000MHz |

[Click here to return to main table.](#)



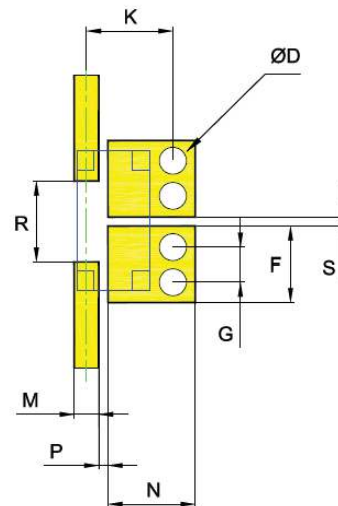
DIMENSIONS

(TOP VIEW)



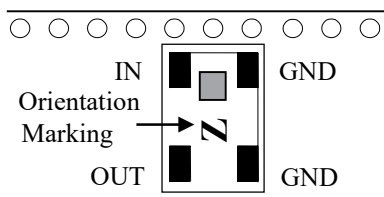
| mm (inches) | |
|-------------|----------------------------|
| L | 3.08±0.1 (0.121±0.004) |
| W | 1.60±0.1 (0.063±0.004) |
| T | 0.87±0.1 (0.034±0.004) |
| A | 0.61±0.25 (0.028±0.010) |
| B | 0.35±0.15 (0.014±0.006) |

RECOMMENDED PAD LAYOUT



| (mm) | |
|------|------------|
| F | 1.70±0.05 |
| G | 0.78±0.05 |
| K | 1.91±0.10 |
| M | 0.54±0.025 |
| N | 1.93±0.05 |
| P | 0.21±0.04 |
| R | 1.80±0.04 |
| S | 0.20±0.04 |
| D | 0.6±0.1 |

TERMINALS AND LAYOUT (TOP VIEW)



Thin-Film RF/Microwave Filters

1206 High Performance Low Pass 8W

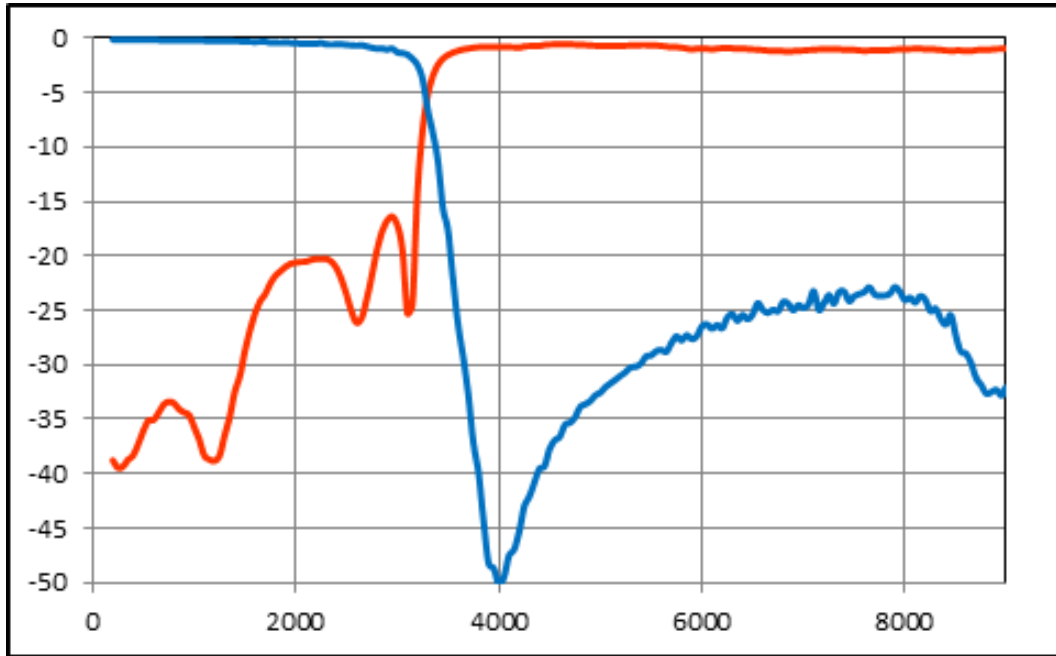
LP1206A3200ASTR – SMD Termination



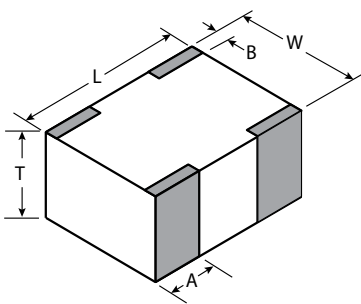
TYPICAL ELECTRICAL PERFORMANCE

| P/N | I.Loss @ 3.2GHz | R.Loss @ 3.2GHz | Attenuation |
|-----------------|-----------------|-----------------|--|
| LP1206A3200ASTR | 0.85dB max. | -20dB | -30dB at 4.48GHz -40dB at 6.4GHz -25dB at 9.6GHz -25dB at 10GHz |

[Click here to return to main table.](#)



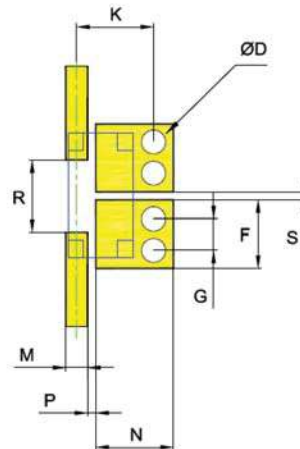
DIMENSIONS (TOP VIEW)



mm (inches)

| | |
|---|----------------------------|
| L | 3.08±0.1 (0.121±0.004) |
| W | 1.60±0.1 (0.063±0.004) |
| T | 0.87±0.1 (0.034±0.004) |
| A | 0.61±0.25 (0.028±0.010) |
| B | 0.35±0.15 (0.014±0.006) |

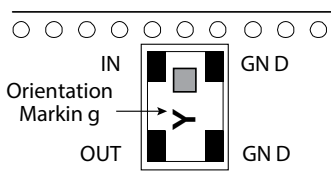
RECOMMENDED PAD LAYOUT



mm (inches)

| | |
|---|-----------------------------|
| F | 1.70±0.05 (0.067±0.002) |
| G | 0.78±0.05 (0.031±0.002) |
| K | 1.91±0.10 (0.075±0.004) |
| M | 0.54±0.025 (0.021±0.001) |
| N | 1.93±0.05 (0.076±0.002) |
| P | 0.21±0.04 (0.008±0.002) |
| R | 1.80±0.04 (0.071±0.002) |
| S | 0.20±0.04 (0.008±0.002) |
| D | 0.60±0.10 (0.024±0.004) |

TERMINAL AND LAYOUT (TOP VIEW)



The Important Information/Disclaimer is incorporated in the catalog where these specifications came from or available online at www.kyocera-avx.com/disclaimer/ by reference and should be reviewed in full before placing any order.

TDS-RFM-0048 | Rev 1

– RF MICROWAVE PRODUCTS –

Thin-Film RF/Microwave Filters

1206 High Performance Low Pass 8W

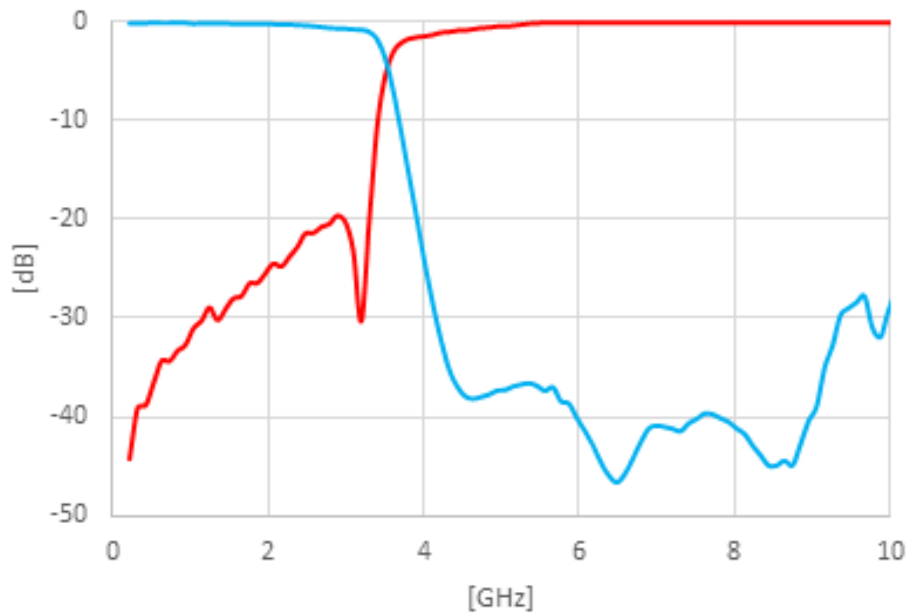
LP1206A3500ASTR – SMD Termination



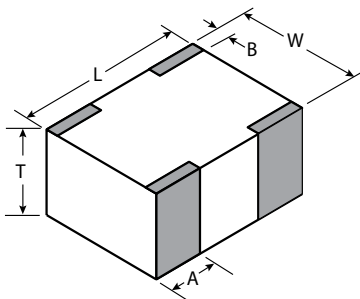
TYPICAL ELECTRICAL PERFORMANCE

| P/N | I.Loss @ 3.5GHz | R.Loss @ 3.5GHz | Attenuation |
|-----------------|-----------------|-----------------|--|
| LP1206A3500ASTR | 0.7dB max. | -18dB | -30dB at 4.9GHz -40dB at 7GHz -25dB at 10.5GHz -15dB at 11GHz |

[Click here to return to main table.](#)



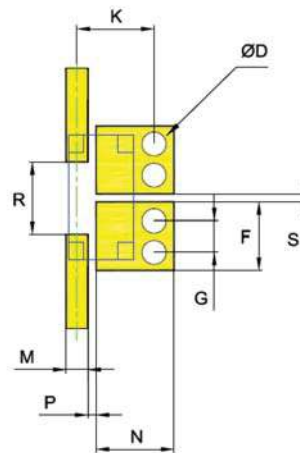
DIMENSIONS (TOP VIEW)



mm (inches)

| | |
|---|----------------------------|
| L | 3.08±0.1 (0.121±0.004) |
| W | 1.60±0.1 (0.063±0.004) |
| T | 0.87±0.1 (0.034±0.004) |
| A | 0.61±0.25 (0.028±0.010) |
| B | 0.35±0.15 (0.014±0.006) |

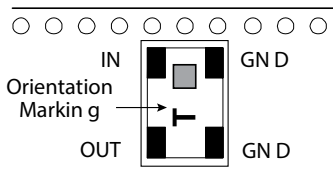
RECOMMENDED PAD LAYOUT



mm (inches)

| | |
|---|-----------------------------|
| F | 1.70±0.05 (0.067±0.002) |
| G | 0.78±0.05 (0.031±0.002) |
| K | 1.91±0.10 (0.075±0.004) |
| M | 0.54±0.025 (0.021±0.001) |
| N | 1.93±0.05 (0.076±0.002) |
| P | 0.21±0.04 (0.008±0.002) |
| R | 1.80±0.04 (0.071±0.002) |
| S | 0.20±0.04 (0.008±0.002) |
| D | 0.60±0.10 (0.024±0.004) |

TERMINAL AND LAYOUT (TOP VIEW)



Thin-Film RF/Microwave Filters

1206 High Performance Low Pass 8W

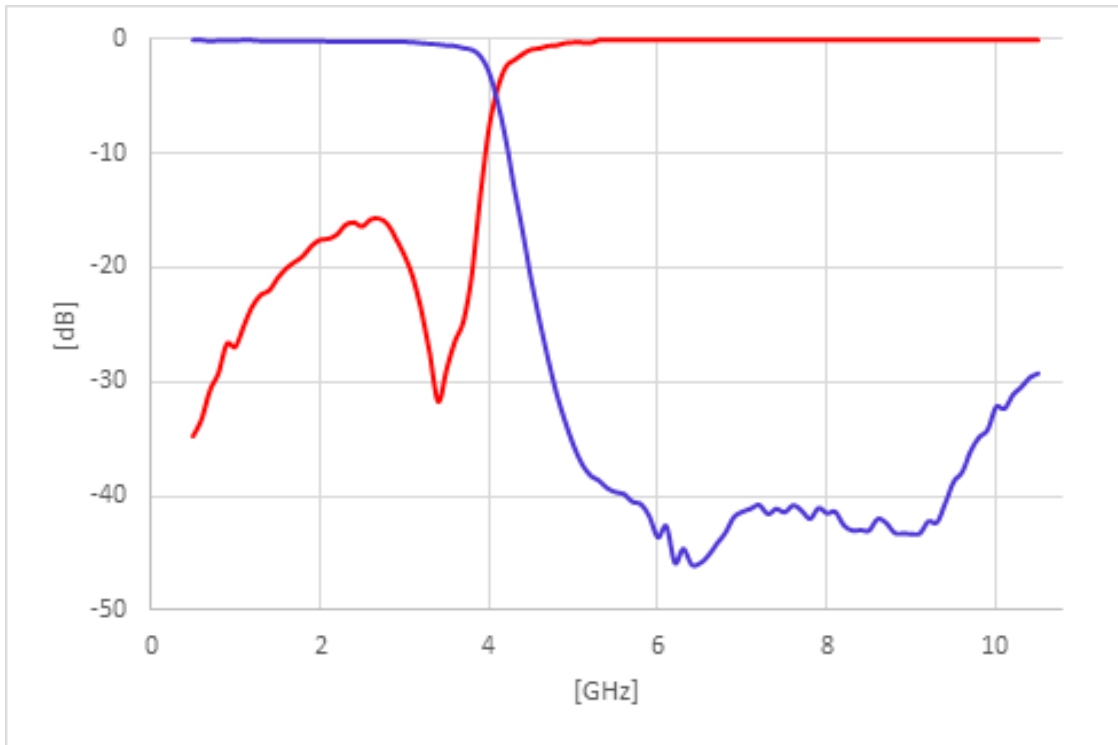
LP1206A3600ASTR – SMD Termination



TYPICAL ELECTRICAL PERFORMANCE

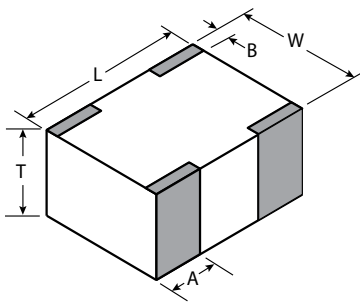
| P/N | I.Loss @ 3.6GHz | R.Loss @ 3.6GHz | Attenuation |
|-----------------|-----------------|-----------------|---|
| LP1206A3600ASTR | 0.7dB max. | -25dB | -30dB at 5.04GHz -35dB at 7.2GHz -25dB at 10.8GHz |

[Click here to return to main table.](#)



DIMENSIONS

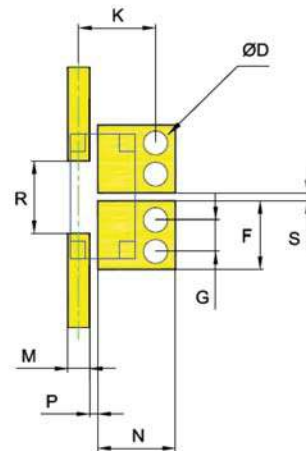
(TOP VIEW)



mm (inches)

| | |
|---|----------------------------|
| L | 3.08±0.1 (0.121±0.004) |
| W | 1.60±0.1 (0.063±0.004) |
| T | 0.87±0.1 (0.034±0.004) |
| A | 0.61±0.25 (0.028±0.010) |
| B | 0.35±0.15 (0.014±0.006) |

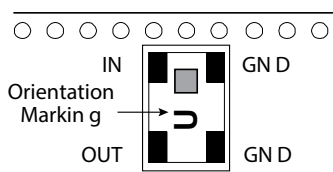
RECOMMENDED PAD LAYOUT



mm (inches)

| | |
|---|-----------------------------|
| F | 1.70±0.05 (0.067±0.002) |
| G | 0.78±0.05 (0.031±0.002) |
| K | 1.91±0.10 (0.075±0.004) |
| M | 0.54±0.025 (0.021±0.001) |
| N | 1.93±0.05 (0.076±0.002) |
| P | 0.21±0.04 (0.008±0.002) |
| R | 1.80±0.04 (0.071±0.002) |
| S | 0.20±0.04 (0.008±0.002) |
| D | 0.60±0.10 (0.024±0.004) |

TERMINAL AND LAYOUT (TOP VIEW)



The Important Information/Disclaimer is incorporated in the catalog where these specifications came from or available online at www.kyocera-avx.com/disclaimer/ by reference and should be reviewed in full before placing any order.

TDS-RFM-0048 | Rev 1

– RF MICROWAVE PRODUCTS –

Thin-Film RF/Microwave Filters

1206 High Performance Low Pass 8W

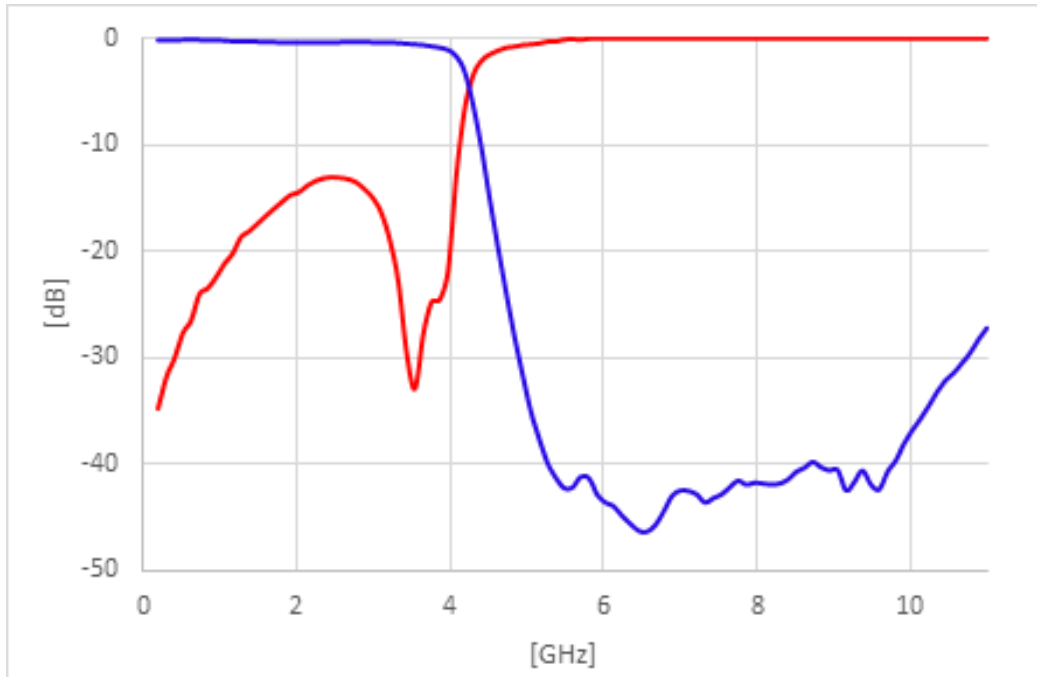
LP1206A3800ASTR – SMD Termination



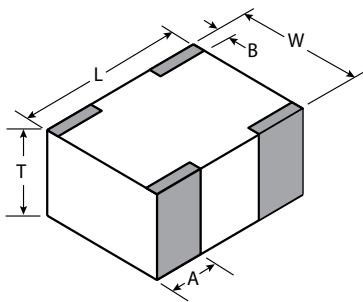
TYPICAL ELECTRICAL PERFORMANCE

| P/N | I.Loss @ 3.6GHz | R.Loss @ 3.6GHz | Attenuation |
|-----------------|-----------------|-----------------|---|
| LP1206A3800ASTR | 0.8dB max. | -20dB | -35dB at 5.32GHz -28dB at 7.6GHz -33dB at 10GHz |

[Click here to return to main table.](#)

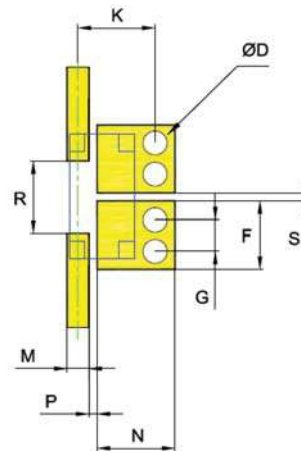


DIMENSIONS (TOP VIEW)



| | mm (inches) |
|---|----------------------------|
| L | 3.08±0.1 (0.121±0.004) |
| W | 1.60±0.1 (0.063±0.004) |
| T | 0.87±0.1 (0.034±0.004) |
| A | 0.61±0.25 (0.028±0.010) |
| B | 0.35±0.15 (0.014±0.006) |

RECOMMENDED PAD LAYOUT



| | mm |
|---|-----------------------------|
| F | 1.70±0.05 (0.067±0.002) |
| G | 0.78±0.05 (0.031±0.002) |
| K | 1.91±0.10 (0.075±0.004) |
| M | 0.54±0.025 (0.021±0.001) |
| N | 1.93±0.05 (0.076±0.002) |
| P | 0.21±0.04 (0.008±0.002) |
| R | 1.80±0.04 (0.071±0.002) |
| S | 0.20±0.04 (0.008±0.002) |
| D | 0.60±0.10 (0.024±0.004) |

TERMINAL AND LAYOUT (TOP VIEW)

