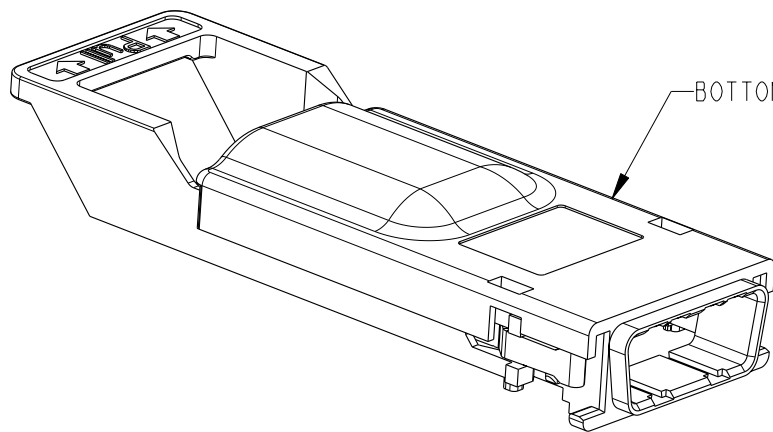


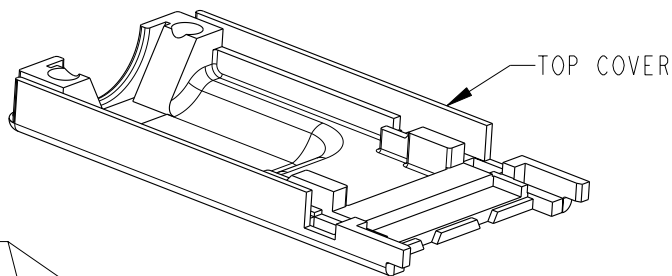
PRODUCT NUMBER *	DESCRIPTION
58476-001	WITH COMPANY LOGO
58476-002	WITHOUT COMPANY LOGO, WITH FCI
58476-003	WITHOUT COMPANY LOGO, WITHOUT FCI
58476-004	WITH SPECIAL CUSTOMER LOGO

NOTE 4

* ADD "LF" SUFFIX AT THE END OF PART NUMBER FOR LEAD FREE OPTION.

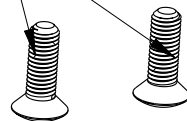


BOTTOM COVER ASSEMBLY



TOP COVER

M2.5 OVAL HEAD SCREWS



NOTES:

1. MATERIALS:

DIE CAST SHELL: ZINC WITH Ni PLATING COPPER UNDER PLATINGS.

PULL TAB: THERMOPLASTIC

LATCH: STAINLESS STEEL

SCREWS: STAINLESS STEEL (M2.5 SCREWS)

2. USED WITH EYEMAX® PLUG 58443 (WITHOUT PCB), 58638 (WITH UNEQUALIZED PCB) OR 10026692 (WITH EQUALIZED PCB). COVER ASSEMBLY AND CONNECTOR CAN ALSO BE PURCHASED TOGETHER IN KIT 58441.

3. THIS PRODUCT MEETS EUROPEAN UNION DIRECTIVES AND OTHER COUNTRY REGULATION AS DESCRIBED IN GS-22-008.

4. THIS P/N NOT INCLUDE OVAL HEAD SCREWS



Copyright FCI.

rev	ecn no	dr	date
A	V03-0406	GIP	04/09/03
B	V04-0484	DA1	06/08/04
C	M06-0251	MHT	6/30/06
D	M06-0458	MHT	2006-11-14
E	M07-0081	MHT	2007-01-30
F	M07-0121	MHT	2007-02-19
-	-	-	-

www.fciconnect.com		surface - ✓ ASME Y14.5	tolerance std ASME Y14.5 -	projection ⊕	MM ↔
Dr	G. PETERS	04/09/03	ANGULAR	size A4	Scale 1:1
Eng	D. BRANN	04/09/03	LINEAR	ECN M07-0121	
Chr	G. PETERS	04/09/03	0° ±2°	Product family EyeMax (TM)	Spec ref -
Appr	D. BRANN	04/09/03	0.X ±.3 0.XX ±.10 0.XXX ±.050	dwg no 58476	Rev. F
FCI logo		4X COVER ASSEMBLY KIT EYEMAX(tm)		CUSTOMER	sheet 1 of 1
-		-		-	