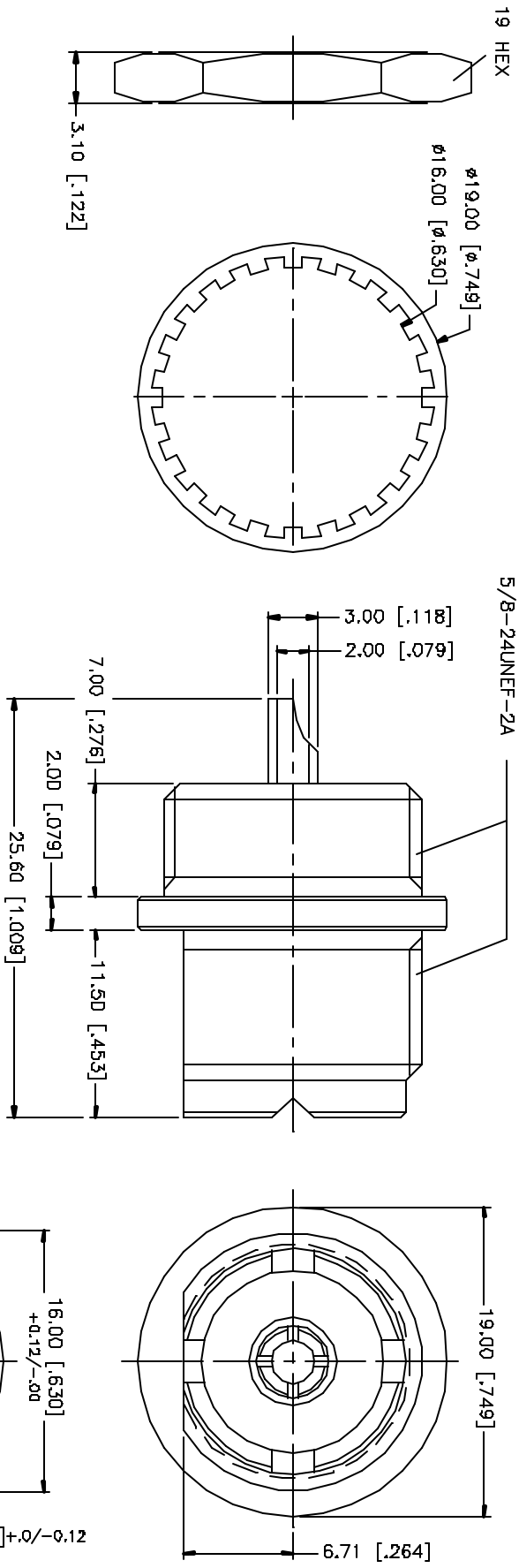


REV.	DATE	DESCRIPTION
A	05/15/05	UPDATE DRAWING FORMAT / ADD FLAT



NOTE:  
1. PIN TO WITHSTAND 4 INCH-OUNCE RADIAL FORCE.

RECOMMENDED  
MOUNTING HOLE

NO.	DESCRIPTION	MATERIAL	FINISH	QTY
1	INSULATOR BODY	TEFLON BRASS	NATURAL NICKEL	1
2	CONTACT PIN	BRASS	NICKEL	1
3	LOCK WASHER	BRASS	NICKEL	1
4	HEX NUT	BRASS	NICKEL	1
5	INSULATOR BODY	TEFLON BRASS	NATURAL NICKEL	1
6	CONTACT PIN	BRASS	NICKEL	1
7	LOCK WASHER	BRASS	NICKEL	1
8	HEX NUT	BRASS	NICKEL	1

APPROVALS	DATE
DRWN G.R.S.	05/15/05
CHECKED	
DESIGNED	
9-SHEET	1 OF 1

APPROVALS	DATE
DRWN G.R.S.	05/15/05
CHECKED	
DESIGNED	
9-SHEET	1 OF 1

UNLESS OTHERWISE SPECIFIED DIMENSIONS ARE IN MILLIMETERS (DIMENSIONS IN PARENTHESES ARE IN INCHES AND FOR DIMENSIONS REFER TO SH-1).
UNLESS OTHERWISE SPECIFIED TOLERANCES PER MIL-STD-883C
0.5 - 8mm ± 0.20mm
8 - 30mm ± 0.40mm
30 - 120mm ± 0.50mm
UNLESS OTHERWISE SPECIFIED DIMENSIONS ARE REFERENCED FOR FINISH AND
.020 - .315 = ± 0.0075"
.315 - 1.180 = ± 0.015"
1.180 - 4.724 = ± 0.020"

DESCRIPTION	MATERIAL	FINISH	QTY
DESCRIPTION	MATERIAL	FINISH	QTY

QAD FILE	DWG. NO.	REV.	SIZE	SCALE
C:/182/182320.DWG	182320.DWG	A	A	NA

**Amphenol Connex**

UHF BULKHEAD RECEPTACLE  
REAR MOUNT

182320