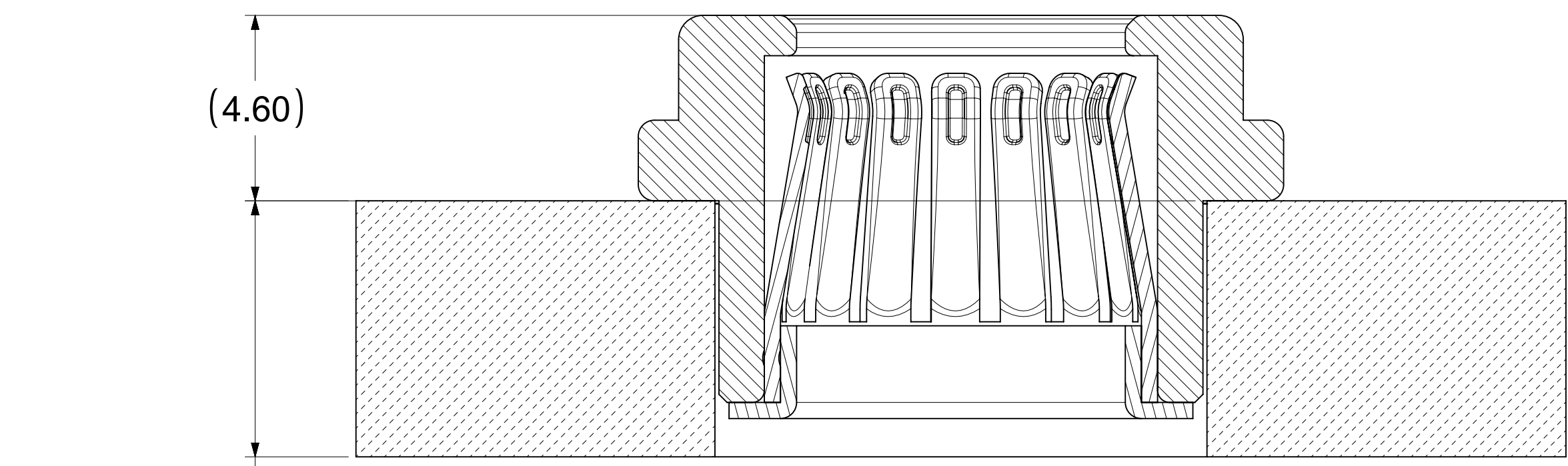
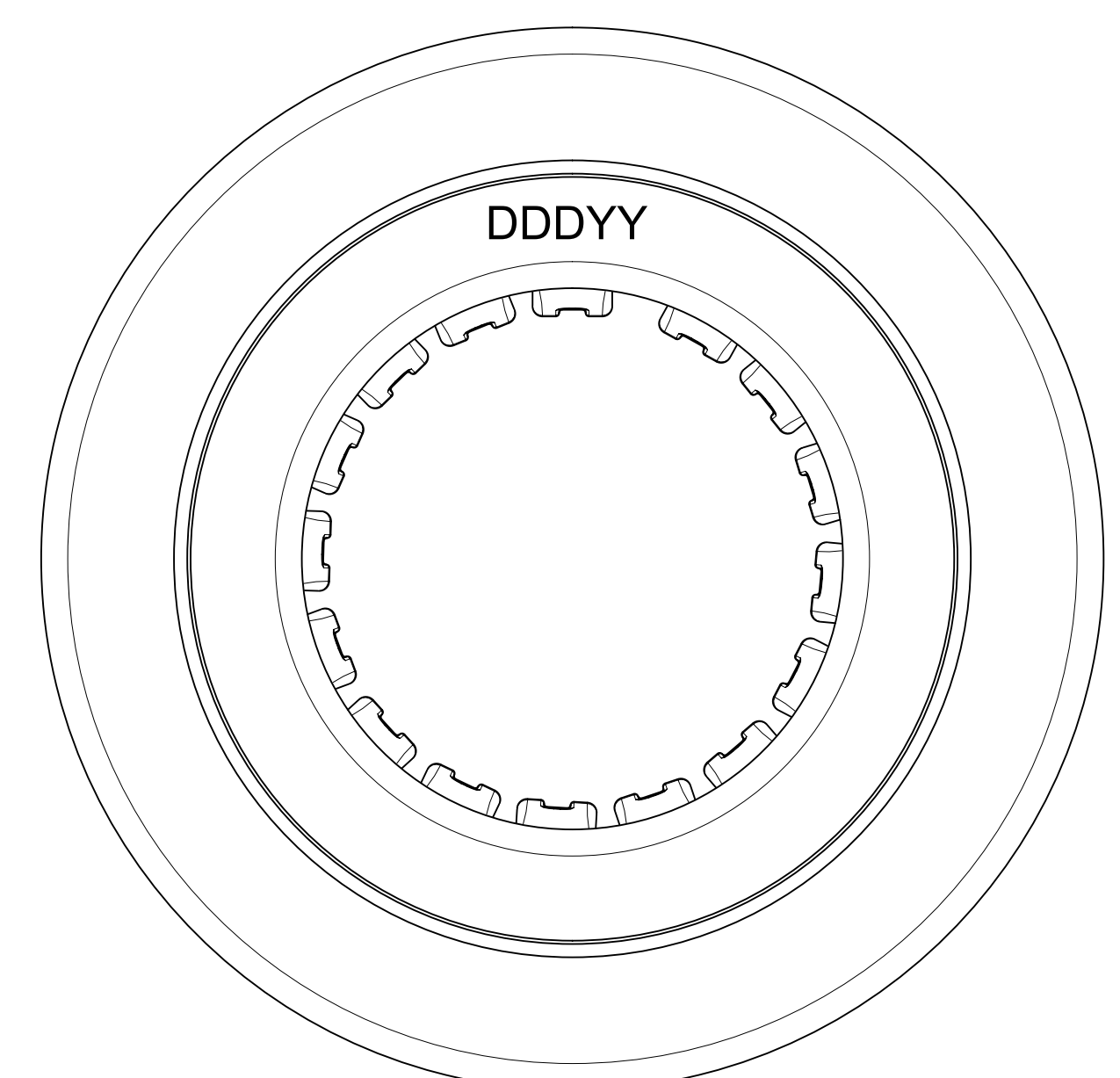
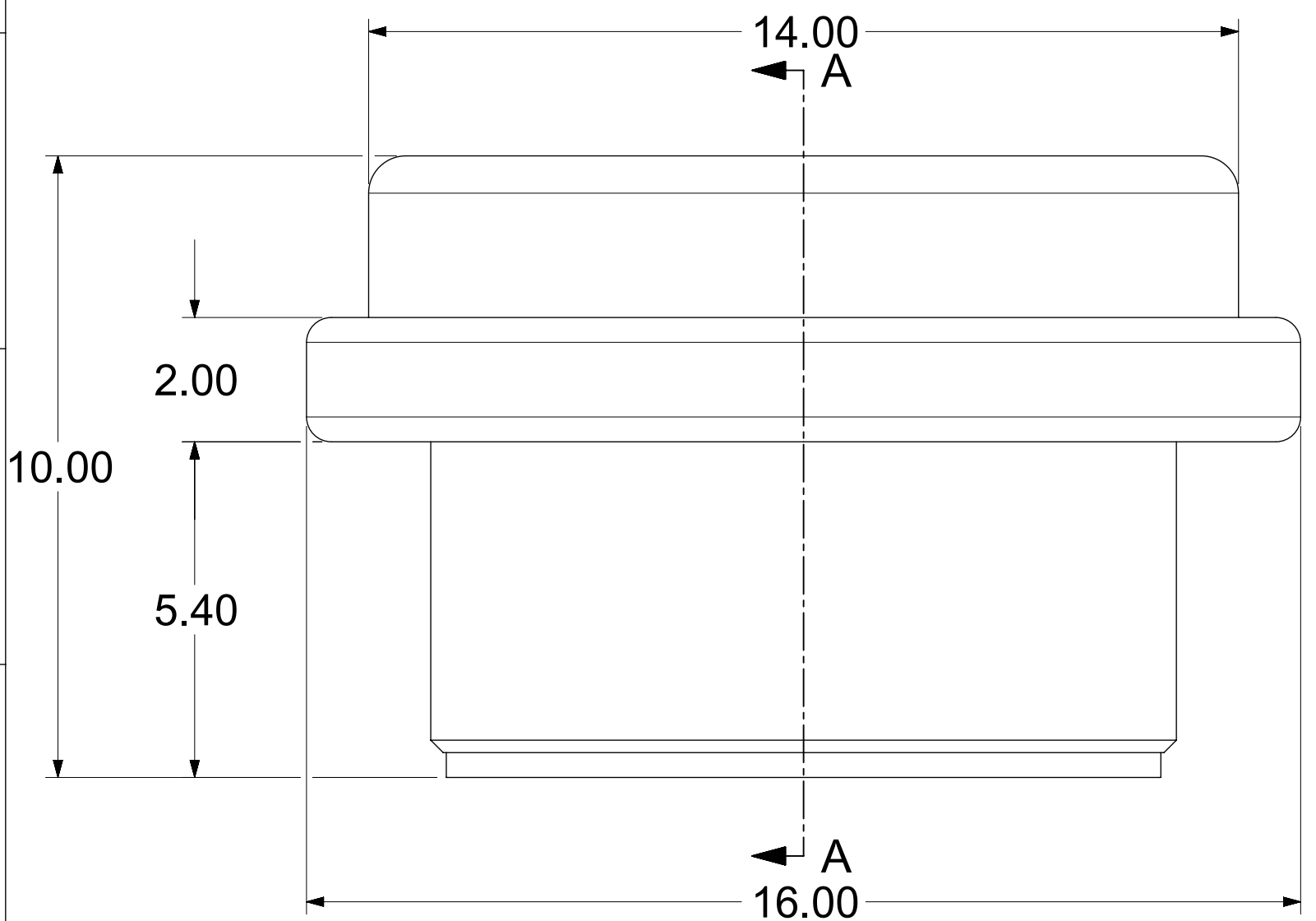


MATING PROFILE



SECTION A-A

6.35 SHOWN
(1.58MM MINIMUM RECOMMENDED PCB THICKNESS)

- NOTES:**
- MATERIALS:**
RETENTION CAP: STAINLESS STEEL
PICK AND PLACE CAP: LCP UL94, V-0 COLOR BLACK
BASE METAL: HIGH CONDUCTIVE COPPER ALLOY
PLATING ON CONTACTS: 0.75 MICRON MIN GOLD OVER 1.27 MICRON MIN NICKEL
PLATING ON BODY: 3.18 MICRON MIN SILVER OVER 1.27 MICRON MIN NICKEL
 - MATES WITH THE STANDARD PIN DRAWINGS:**
 - 8.0MM SMT DRAWING 2032633080-SD, MIN. MATING DISTANCE 6.75MM
 - 8.0MM PRESS FIT DRAWING 2032630001-SD, MIN. MATING DISTANCE 7.1MM
 - 8.0MM SCREW MOUNT DRAWING 2032634185-SD, MIN. MATING DISTANCE 10.10MM
 - PRODUCT SPECIFICATION:** 2043130001-PS
 - APPLICATION SPECIFICATION:** 2043130001-AS.
SEE APPLICATION SPEC FOR SOLDERING INFORMATION.
 - PACKAGING SPECIFICATION:** 2043180000-PK
 - SILVER COMPONENTS WILL BE SUPPLIED TARNISH FREE BUT MAY TARNISH OVER TIME.**
 - PICK AND PLACE CAP TO BE REMOVED AFTER SOLDERING**
 - DATE CODE TO BE LASER MARKED APPROXIMATELY WHERE SHOWN USING DDDYY FORMAT**

THIS DRAWING CONTAINS INFORMATION THAT IS PROPRIETARY TO MOLEX ELECTRONIC TECHNOLOGIES, LLC AND SHOULD NOT BE USED WITHOUT WRITTEN PERMISSION											
DIMENSION UNITS		SCALE		CURRENT REV DESC: UPDATED THE TITLE BLOCK							
mm		NTS									
GENERAL TOLERANCES (UNLESS SPECIFIED)											
ANGULAR TOL				± 0.5°							
4 PLACES		±		EC NO: 747243							
3 PLACES		±		DRWN: SACHIK7		2023/02/28					
2 PLACES		± 0.15		CHK'D: SCS02		2023/04/25					
1 PLACE		± 0.25		APPR: HTHYAGARAJ		2023/04/26					
0 PLACES		±		INITIAL REVISION:							
				DRWN: NVELUSAMY		2019/01/24					
				APPR: BPISZCZOR		2019/04/05					
DRAFT WHERE APPLICABLE MUST REMAIN WITHIN DIMENSIONS				THIRD ANGLE PROJECTION		DRAWING		SERIES		MATERIAL NUMBER	
						D-SIZE		212194		2121940001	
								CUSTOMER		GENERAL MARKET	
										SHEET NUMBER	
										1 OF 1	