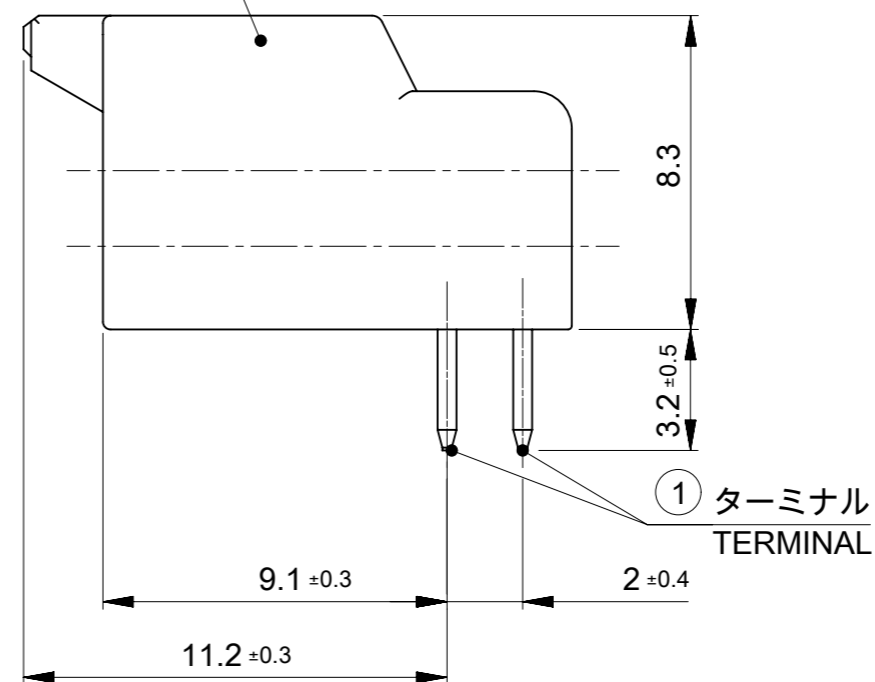


キャビティ番号  
CAVITY No.

トレードマーク  
TRADE MARK



②ハウジング  
HOUSING



|     |    |    |                    |
|-----|----|----|--------------------|
| 9.2 | 38 | 42 | 40                 |
| 9.2 | 36 | 40 | 38                 |
| 9.2 | 34 | 38 | 36                 |
| 9.2 | 32 | 36 | 34                 |
| 9.2 | 30 | 34 | 32                 |
| 9.2 | 28 | 32 | 30                 |
| 9.2 | 26 | 30 | 28                 |
| 9.2 | 24 | 28 | 26                 |
| 9.2 | 22 | 26 | 24                 |
| 9.2 | 20 | 24 | 22                 |
| 9.2 | 18 | 22 | 20                 |
| 9.2 | 16 | 20 | 18                 |
| 9.2 | 14 | 18 | 16                 |
| 9.2 | 12 | 16 | 14                 |
| 9.2 | 10 | 14 | 12                 |
| 7.3 | 8  | 12 | 10                 |
| C   | B  | A  | 極数<br>CIRCUIT SIZE |

① TABLE 1

| 番号<br>No. | 部品<br>PART        | 材質<br>MATERIAL   |  |
|-----------|-------------------|--|--|
| ①         | ターミナル<br>TERMINAL | 黄銅, BRASS  |  |
|           |                   | 下地めっき<br>UNDER PLATING   | ニッケルめっき 1 micro-meter MIN<br>NICKEL PLATING 1 micro-meter MIN    |
|           |                   | コンタクト<br>CONTACT   | 無光沢錫めっき 1 micro-meter MIN<br>MATTE TIN PLATING 1 micro-meter MIN |
|           |                   | テール<br>SOLDER TAIL   |  |
| ②         | ハウジング<br>HOUSING  | ポリアミド(PA)ガラス入り, UL94V-0, 色 : SEE CHART<br>POLYAMIDE(PA) GLASS FILLED, UL94V-0, COLOR : SEE CHART |  |

THIS DRAWING CONTAINS INFORMATION THAT IS PROPRIETARY TO MOLEX ELECTRONIC TECHNOLOGIES, LLC AND SHOULD NOT BE USED WITHOUT WRITTEN PERMISSION

|  |         |                           |  |                 |          |
|--|---------|---------------------------|--|-----------------|----------|
| DIMENSION UNITS                                      | SCALE   | CURRENT REV DESC: REVISED | <b>molex</b>                                       |                 |          |
| mm   | NTS     |                           |  |                 |          |
| GENERAL TOLERANCES (UNLESS SPECIFIED)                |         |                           | IGRID 2.0 PLUG ASSEMBLY<br>RIGHT ANGLE TIN PLATING |                 |          |
| ANGULAR TOL  | ± 3.0 ° | EC NO: 721018             | PRODUCT CUSTOMER DRAWING                           |                 |          |
| 4 PLACES   | ± 0.2   | DRWN: HHUSSIN             | 2022/09/06   |                 |          |
| 3 PLACES   | ± 0.2   | CHK'D: SAKIYAMA           | 2022/11/21   |                 |          |
| 2 PLACES   | ± 0.2   | APPR: AIDA                | 2022/11/21   |                 |          |
| 1 PLACE  | ± 0.2   | INITIAL REVISION:         |  |                 |          |
| 0 PLACES   | ± 0.2   | DRWN: SNAKAMURA08         | 2019/05/14   | DOCUMENT NUMBER | DOC TYPE |
| DRAFT WHERE APPLICABLE MUST REMAIN WITHIN DIMENSIONS |         |                           | 2019/05/24   | 5018760000-SD   | PSD      |
| THIRD ANGLE PROJECTION                               |         |                           | DRAWING  | SERIES          | DOC PART |
| A3-SIZE  |         |                           | 501876   | CUSTOMER        | REVISION |
| SEE SHEET 3  |         |                           | GENERAL  | 1 OF 3          |          |

**NOTES.**

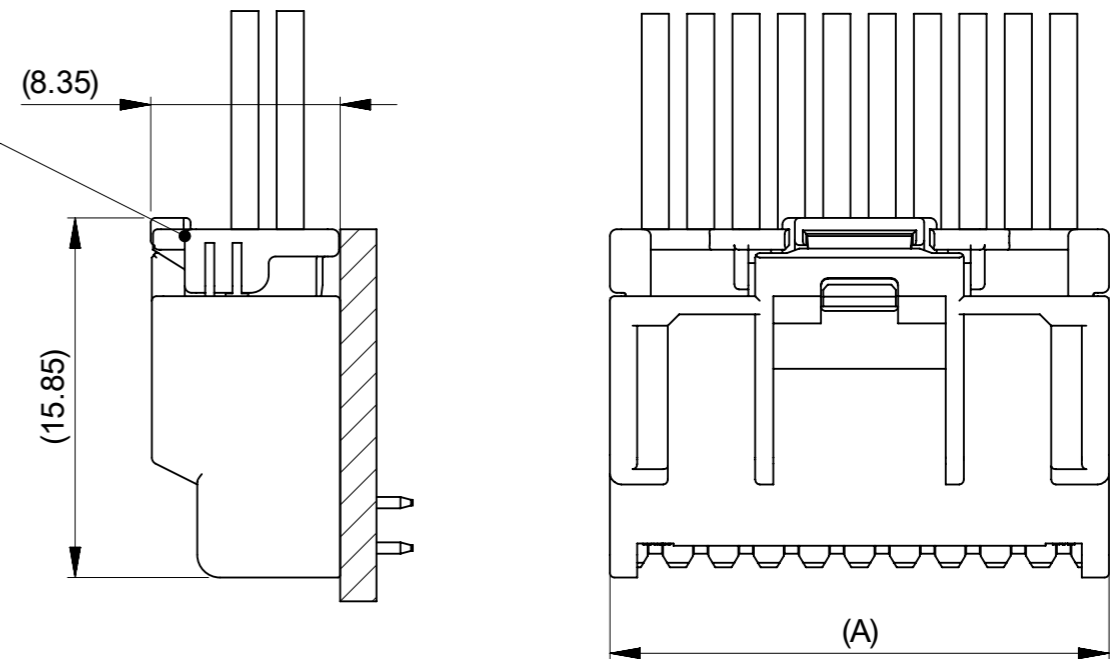
1. 材料及び仕上げ(めっき仕様) : TABLE 1 参照  
MATERIAL AND FINISHES : SEE TABLE 1
2. 製品仕様書 : PS-501646-001  
PRODUCT SPECIFICATION:PS-501646-001
3. 嵌合相手:  
MATES WITH:

|                                   |   |               |
|-----------------------------------|---|---------------|
| リセプタクルハウジング<br>RECEPTACLE HOUSING | 501646 SERIES                             |               |
| 圧着端子<br>RECEPTACLE CRIMP TERMINAL | AWG #22-26 錫めっき<br>AWG #22-26 TIN PLATING | 501647 SERIES |
|                                   | AWG #26-28 錫めっき<br>AWG #26-28 TIN PLATING | 501648 SERIES |

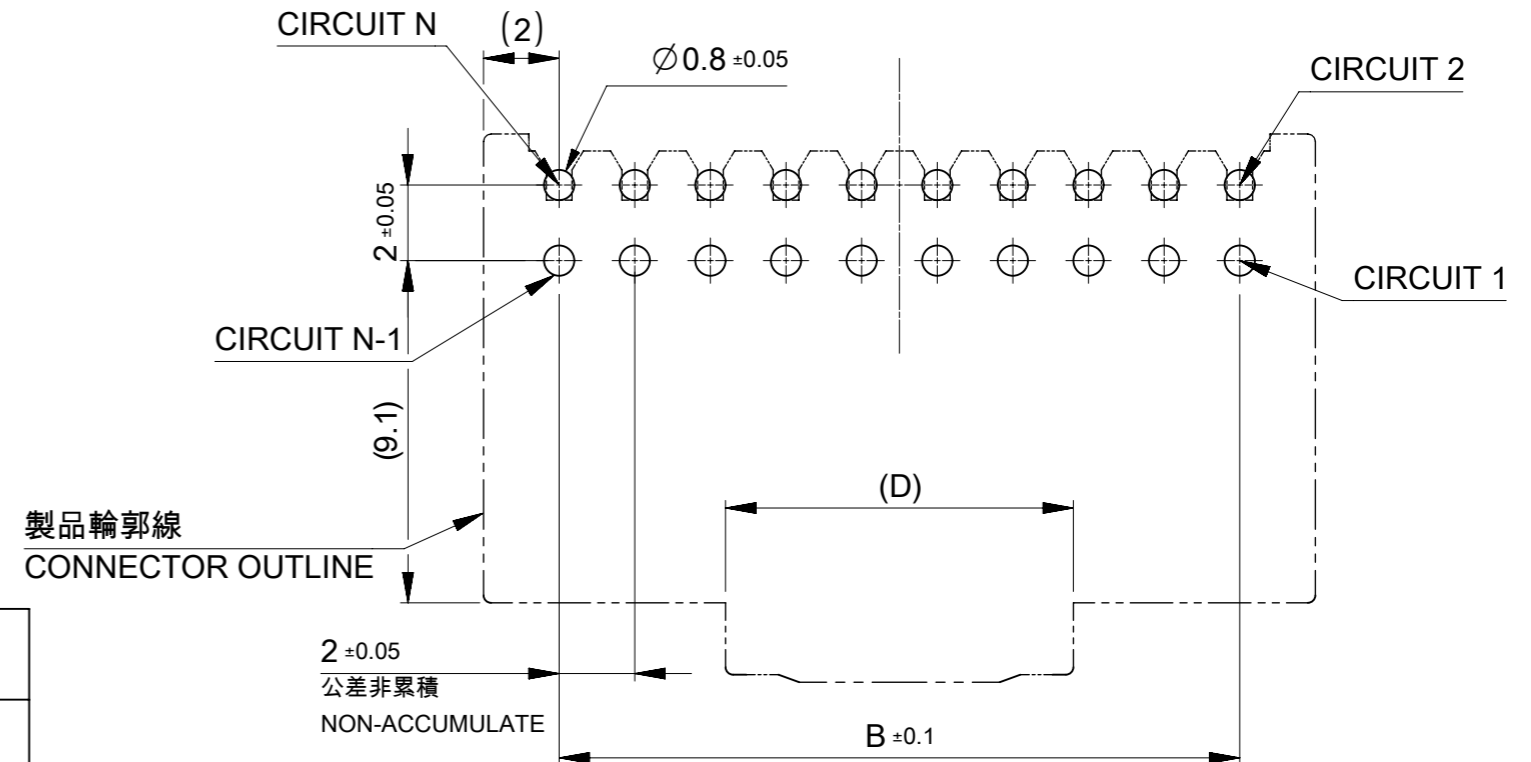
4. アプリケーション仕様書(コネクタ取扱い説明書) : 5016460000-PS A01  
APPLICATION SPECIFICATION(CONNECTOR MANNUAL): 5016460000-PS A00
5. 本製品は錫めっき品です。  
THIS PRODUCT IS A TIN PLATING.
6. 極数/2 = 偶数に適応  
APPLY FOR CIRCUIT SIZE / 2 =EVEN
7. ターミナルに錫めっきを使用している為、外観に摺動痕が付く場合があります。  
THE WOUND OF FRICTION MIGHT ADHERE TO EXTERNALS  
BECAUSE THE TIN PLATING IS USED IN TERMINAL.
8. 梱包仕様書: SPK-501876-001  
PACKING INFORMATION : SPK-501876-001
9. 発注番号 : SHEET 3 参照  
ORDER No. : PLEASE REFER TO SHEET 3 FOR PRODUCT LIST

|                    |      |                              |
|--------------------|------|------------------------------|
| 501876             | **4* | ハウジングカラー<br>HOUSING COLOR    |
| 極数<br>CIRCUIT SIZE |      | 0:ナチュラル NATURAL<br>(白 WHITE) |
|                    |      | 1:黒 BLACK                    |
|                    |      | 2:赤 RED                      |
|                    |      | 4:青 BLUE                     |
|                    |      | 6:緑 GREEN                    |

嵌合相手 501646 SERIES  
MATE WITH : 501646 SERIES



嵌合図  
MATED CONNECTORS



製品輪郭線  
CONNECTOR OUTLINE

基板取付穴推奨寸法(マウント面)  
RECOMMENDED PCB HOLE DIMENSION (MOUNTING SIDE)  
参考基板厚 t=1.2~1.6  
REFERANCE PCB THICKNESS t=1.2~1.6

|   |              |   |         |                          |                 |
|---|--------------|---|---------|--------------------------|-----------------|
| THIS DRAWING CONTAINS INFORMATION THAT IS PROPRIETARY TO MOLEX ELECTRONIC TECHNOLOGIES, LLC AND SHOULD NOT BE USED WITHOUT WRITTEN PERMISSION |              | CURRENT REV DESC: REVISED                                       |         | <b>molex</b>             |                 |
| DIMENSION UNITS<br>mm   | SCALE<br>NTS | EC NO: 721018<br>DRWN: HHUSSIN<br>CHK'D: SAKIYAMA<br>APPR: AIDA |         |                          |                 |
| GENERAL TOLERANCES<br>(UNLESS SPECIFIED)  |              | INITIAL REVISION:   |         | PRODUCT CUSTOMER DRAWING |                 |
| ANGULAR TOL   | ± 3.0 °      | DRWN: SNAKAMURA08<br>APPR: KOMURAKAMI                           |         | DOCUMENT NUMBER          | DOC TYPE        |
| 4 PLACES  | ± 0.2        | 2019/05/14<br>2019/05/24  |         | 5018760000-SD            | PSD             |
| 3 PLACES  | ± 0.2        |   |         | 000                      | D               |
| 2 PLACES  | ± 0.2        |   |         | SHEET NUMBER             |                 |
| 1 PLACE   | ± 0.2        |   |         | 2 OF 3                   |                 |
| 0 PLACES  | ± 0.2        |   |         |                          |                 |
| DRAFT WHERE APPLICABLE<br>MUST REMAIN<br>WITHIN DIMENSIONS  |              | THIRD ANGLE PROJECTION  | DRAWING | SERIES                   | MATERIAL NUMBER |
|   |              |   | A3-SIZE | 501876                   | SEE SHEET 3     |
|   |              |   |         |                          | CUSTOMER        |
|   |              |   |         |                          | GENERAL         |

製品形状  
PRODUCT SHAPE

10, 12 極  
10, 12 CIRCUIT



14 - 40 極  
14 - 40 CIRCUIT



△ 製品一覧 PRODUCT LIST

| 緑: GREEN               | 青: BLUE     | 赤: RED      | 黒: BLACK    | ナチュラル: NATURAL<br>(白: WHITE) | HOUSING<br>COLOR |
|------------------------|-------------|-------------|-------------|------------------------------|------------------|
| 501876 4046            | 501876 4044 | 501876 4042 | 501876 4041 | 501876 4040                  | 40               |
| ↑ 3846                 | ↑ 3844      | ↑ 3842      | ↑ 3841      | ↑ 3840                       | 38               |
| 3646                   | 3644        | 3642        | 3641        | 3640                         | 36               |
| 3446                   | 3444        | 3442        | 3441        | 3440                         | 34               |
| 3246                   | 3244        | 3242        | 3241        | 3240                         | 32               |
| 3046                   | 3044        | 3042        | 3041        | 3040                         | 30               |
| 2846                   | 2844        | 2842        | 2841        | 2840                         | 28               |
| 2646                   | 2644        | 2642        | 2641        | 2640                         | 26               |
| 2446                   | 2444        | 2442        | 2441        | 2440                         | 24               |
| 2246                   | 2244        | 2242        | 2241        | 2240                         | 22               |
| 2046                   | 2044        | 2042        | 2041        | 2040                         | 20               |
| 1846                   | 1844        | 1842        | 1841        | 1840                         | 18               |
| 1646                   | 1644        | 1642        | 1641        | 1640                         | 16               |
| 1446                   | 1444        | 1442        | 1441        | 1440                         | 14               |
| ↓ 1246                 | ↓ 1244      | ↓ 1242      | ↓ 1241      | ↓ 1240                       | 12               |
| 501876 1046            | 501876 1044 | 501876 1042 | 501876 1041 | 501876 1040                  | 10               |
| 発注番号 ORDER No.         |             |             |             |                              | 極数               |
| PACKAGING STYLE : TRAY |             |             |             |                              | CIRCUIT SIZE     |

THIS DRAWING CONTAINS INFORMATION THAT IS PROPRIETARY TO MOLEX ELECTRONIC TECHNOLOGIES, LLC AND SHOULD NOT BE USED WITHOUT WRITTEN PERMISSION

|  |                              |                             |        |                          |          |              |
|--|------------------------------|-----------------------------|--------|--------------------------|----------|--------------|
| DIMENSION UNITS<br>mm                                      | SCALE<br>NTS                 | CURRENT REV DESC: REVISED   |        | <b>molex</b>             |          |              |
| GENERAL TOLERANCES<br>(UNLESS SPECIFIED)                   |                              | EC NO: 721018               |        |                          |          |              |
| ANGULAR TOL ± 3.0°   | 4 PLACES ± 0.2               | DRWN: HHUSSIN 2022/09/06    |        | PRODUCT CUSTOMER DRAWING |          |              |
| 3 PLACES ± 0.2   | 3 PLACES ± 0.2               | CHK'D: SAKIYAMA 2022/11/21  |        | DOCUMENT NUMBER          |          |              |
| 2 PLACES ± 0.2   | 2 PLACES ± 0.2               | APPR: AIDA 2022/11/21       |        | 5018760000-SD            |          |              |
| 1 PLACE ± 0.2  | 1 PLACE ± 0.2                | INITIAL REVISION:           |        | DOC TYPE                 | DOC PART | REVISION     |
| 0 PLACES ± 0.2   | DRWN: SNAKAMURA08 2019/05/14 | APPR: KOMURAKAMI 2019/05/24 |        | PSD                      | 000      | D            |
| DRAFT WHERE APPLICABLE<br>MUST REMAIN<br>WITHIN DIMENSIONS | THIRD ANGLE PROJECTION       | DRAWING                     | SERIES | MATERIAL NUMBER          | CUSTOMER | SHEET NUMBER |
|  |                              | A3-SIZE                     | 501876 | SEE CHART                | GENERAL  | 3 OF 3       |