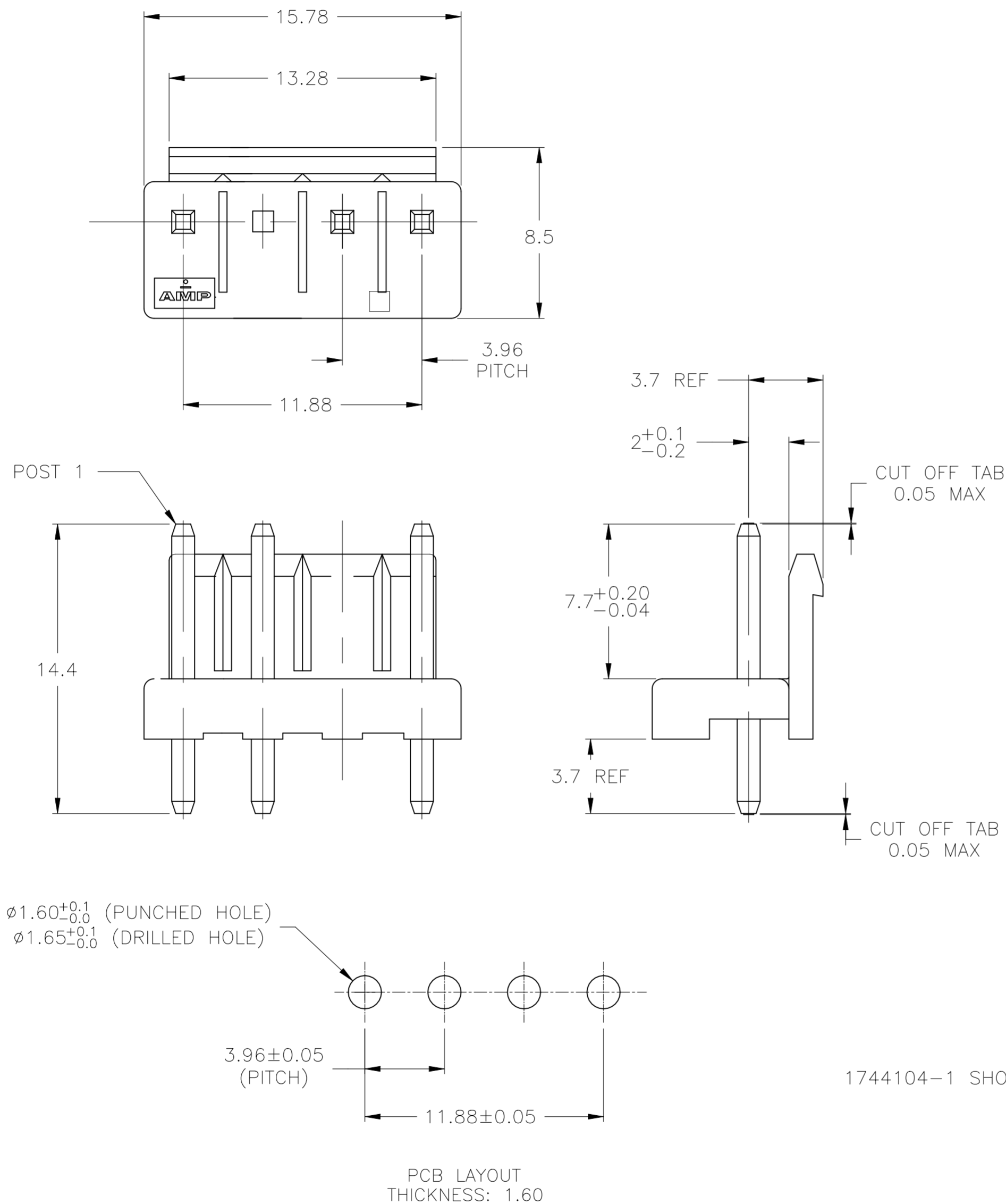


REVISIONS					
P	LTR	DESCRIPTION	DATE	DWN	APVD
C3		REVISED PER ECR-21-124255	20JAN2022	SS	DZ

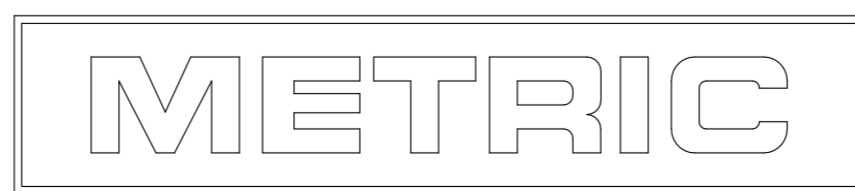


- 1 MATERIAL: HOUSING- PBT, NATURAL
POST- BRASS, 1MICROMETER MIN TIN OVER
0.8 MICROMETER MIN NICKEL.
- 2. RECOMMENDED MATING PART: *-1123722-*
- 3 0 : WITH PIN,
X : WITHOUT PIN.

1	2	3	4	COLOR	NO. OF POSITIONS	ASSEMBLY PART NO.
0	0	0	0	GREEN	4	6-1744104-4
0	X	X	0	GREEN	4	6-1744104-2
0	X	0	0	BLACK	4	5-1744104-7
0	X	X	0	BLACK	4	5-1744104-2
0	0	X	0	BLUE	4	3-1744104-8
0	X	0	0	BLUE	4	3-1744104-7
0	0	0	0	BLUE	4	3-1744104-4
0	0	0	0	YELLOW	4	2-1744104-4
0	X	X	0	YELLOW	4	2-1744104-2
X	0	X	0	NATURAL	4	1-1744104-6
0	X	0	X	NATURAL	4	1-1744104-3
0	X	X	0	RED	4	4-1744104-2
0	0	0	0	BLACK	4	5-1744104-4
0	0	0	0	RED	4	4-1744104-4
0	0	0	0	NATURAL	4	1-1744104-4
0	X	0	X	BLUE	4	3-1744104-5
0	X	0	X	BLACK	4	5-1744104-3
0	X	X	0	BLUE	4	3-1744104-2
0	X	X	0	NATURAL	4	1-1744104-2
X	X	0	0	NATURAL	4	1744104-3
0	X	0	0	NATURAL	4	1744104-2
0	0	X	0	NATURAL	4	1744104-1
1	2	3	4	COLOR	NO. OF POSITIONS	ASSEMBLY PART NO.

1744104-1 SHOWN

OBSOLETE



THIS DRAWING IS A CONTROLLED DOCUMENT.

DWN K. WHITAKER 04JUN04	TE Connectivity NAME HEADER ASSEMBLY, SPECIAL, OMITTED POST, 4 POSITION ECONOMY POWER (EP)				
CHK D. BOSSI 04JUN04					
APVD D. BOSSI 04JUN04					
PRODUCT SPEC 108-5609					
MATERIAL	WEIGHT 0.000000	SIZE A2	CAGE CODE 00779	DRAWING NO C=1744104	RESTRICTED TO -
FINISH	CUSTOMER DRAWING	SCALE N/A	SHEET 1 OF 1	REV C3	