

Material And Finish

Shell: Steel Material, Nickel Plated

Insert: PBT Thermoplastic,
Black Color, 30%
Glass Filled, UL 94V-0 Rated

Contact Material:
Socket - brass

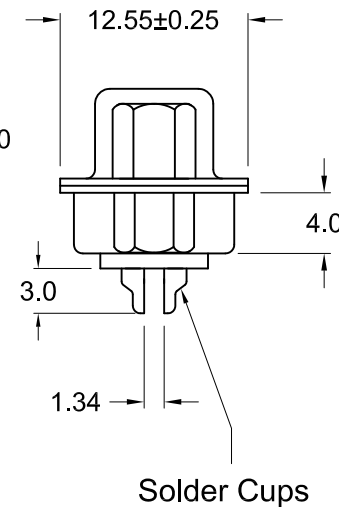
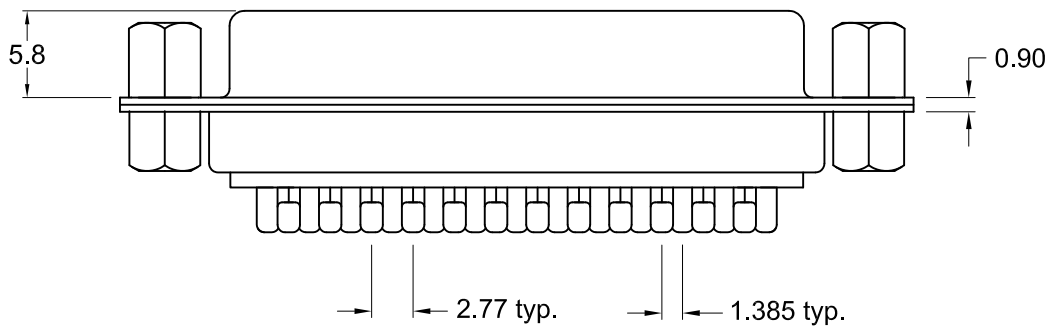
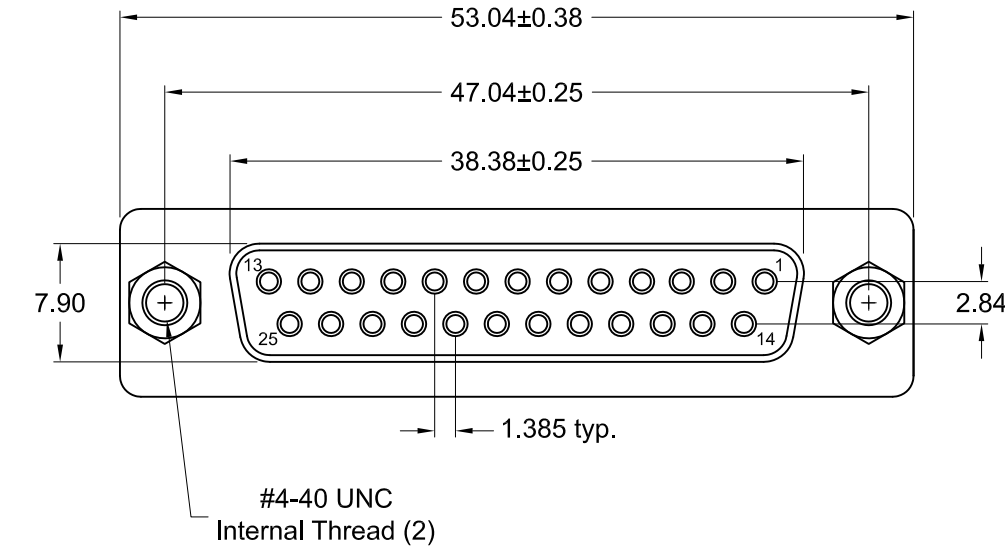
Contact Plating:
Standard:
Gold flash on mating end,
tin on termination end, with
entire contact nickel underplated

-15 Option:
15u" gold on mating end,
tin on termination end, with
entire contact nickel underplated

-30 Option:
30u" gold on mating end,
tin on termination end, with
entire contact nickel underplated

Electrical Specifications

- Rated Current: 2A
- Rated Voltage: 30V RMS
- Dielectric Withstanding Voltage:
1000V (rms) AC for 1 minute
- Insulation Resistance:
more than 1000 Megohm
at 500V DC
- Dielectric Withstanding Voltage-
1000 VAC rms for 1 minute
- Contact Resistance:
13 milliohm max.
- Operating Temperature
-55°C to +105°C



Ordering Information	
Part Number	Contact Area Plating Finish
K85X-BA-25S-KJ	Gold Flash (standard)
K85X-BA-25S-KJ15	15u" Gold (15 option)
K85X-BA-25S-KJ30	30u" Gold (30 option)



Tolerances
X.X ± 0.25
X.XX ± 0.15
Unless Stated Otherwise

REV.	DATE	DESCRIPTION	REV. BY	CHK. BY	DRAWN BY	DATE
A1	9/22/06	New Drawing	R. Aguirre	H. MA	R. Aguirre	12/19/05
A2	1/9/08	ECO # 07-052	WILL H.	H. MA		
A3	12/31/17	ECO #17-030	J. Elbanna	C. Furumasu		

K85X-BA-25S-KJ

D-sub, Vertical, Soldercups, 25 Pin Female, RoHS Compliant
with Jackscrews and Threaded Bushings

