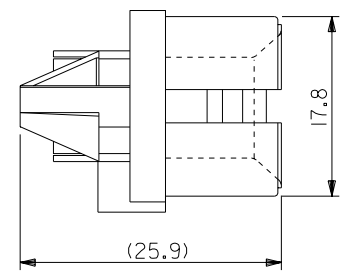
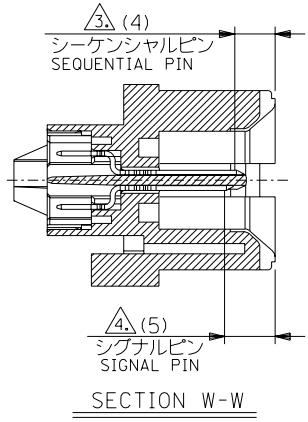
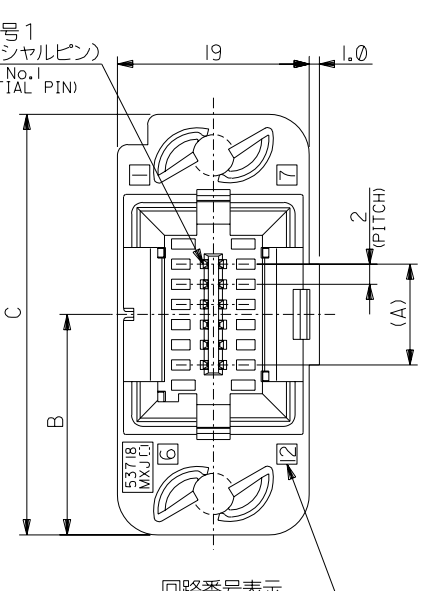
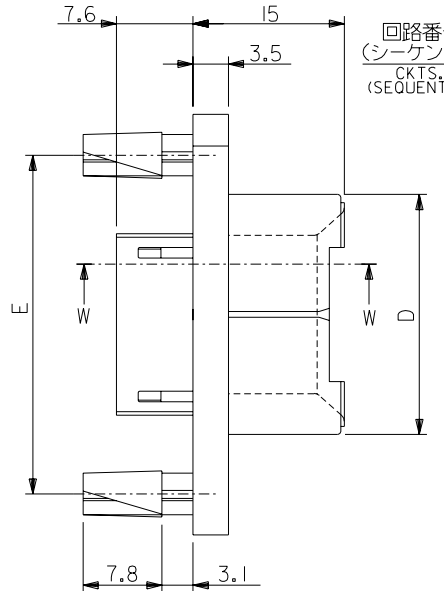
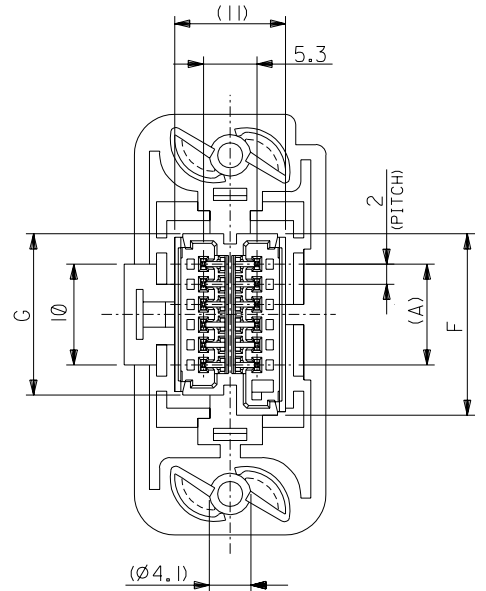
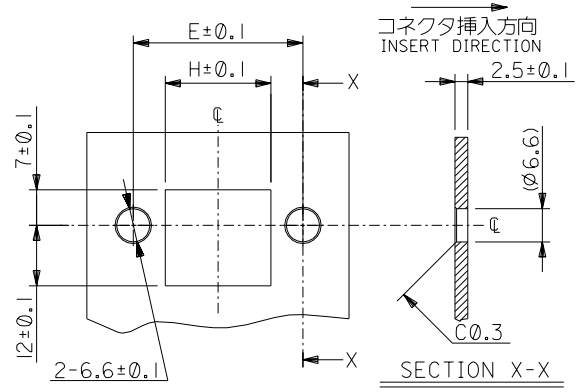


DWG. NO. SD-55533-003



- 注)  
NOTES:
- 材質  
MATERIAL  
ハウジング: ポリカーボネイト, UL 94V-0, 黒  
HOUSING: POLYCARBONATE, UL94V-0, BLACK  
ターミナル: 黄銅  
TERMINAL: BRASS
  - メッキ仕様  
PLATING  
金メッキ: 0.25µm MIN. (接点部)  
GOLD: 0.25µm MIN. (CONTACT AREA)  
錫メッキ: 1.0µm MIN. (リセプタクル嵌合部)  
TIN-LEAD: 1.0µm MIN. (RECEPTACLE CONNECTED AREA)  
ニッケルメッキ: 2.0µm MIN. (下地メッキ)  
NICKEL: 2.0µm MIN. (UNDER PLATING)
  - 適用極: 1  
APPLIES CKTS.No.: 1
  - 適用極: 2 ~ N  
APPLIES CKTS.No.: 2 ~ N
  - 適用リセプタクル: 52484,51090 シリーズ  
APPLICABLE RECEPTACLE: 52484,51090 SERIES.
  - 嵌合相手: 54702 シリーズ  
MATES WITH: 54702 SERIES.
  - 本製品は 55533-1211 の鉛フリー品である。  
THIS PRODUCT IS LEAD FREE OF 55533-1211.



推奨モールドパネル加工寸法  
PANEL CUT DIMENSIONS

|    |    |    |      |      |      |       |     |              |            |      |
|----|----|----|------|------|------|-------|-----|--------------|------------|------|
| 21 | 16 | 18 | 33.6 | 23.8 | 41.7 | 21.85 | 10  | 55533-1219   | 55533-**19 | 12   |
| H  | G  | F  | E    | D    | C    | B     | (A) | MATERIAL NO. | MODEL NO.  | CKT. |

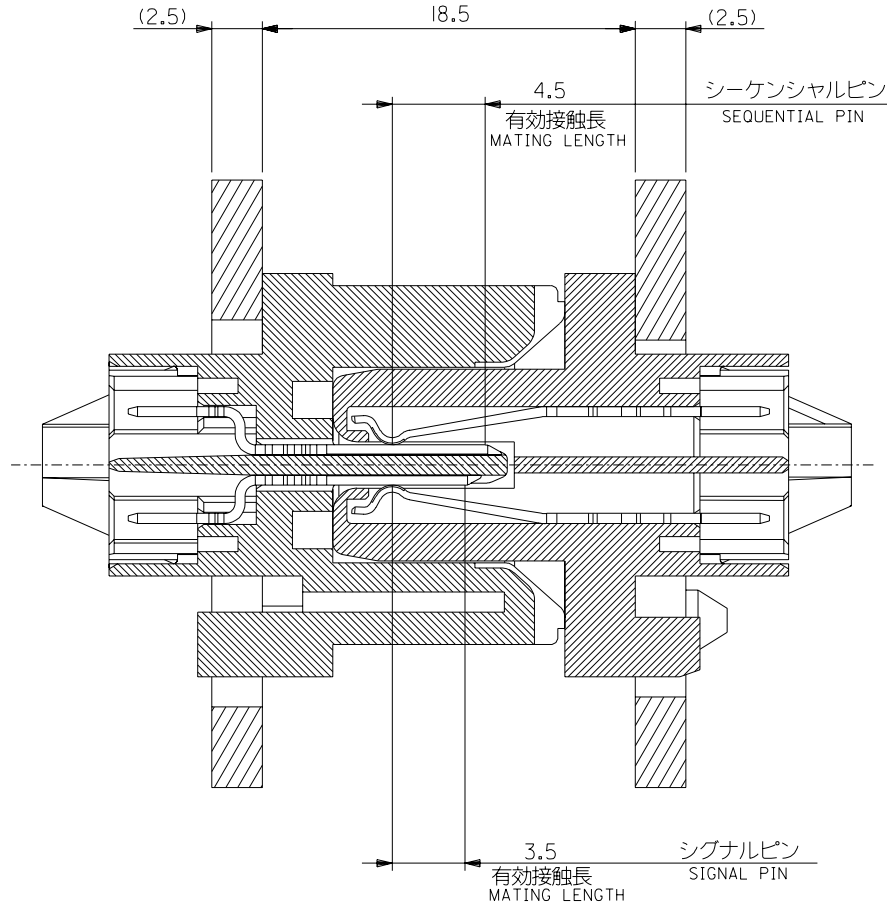
DO NOT SCALE DRAWING

|                              |                              |                              |                              |  |
|------------------------------|------------------------------|------------------------------|------------------------------|--|
| 164 NO.<br>DRWN: CH'K: APPR: | 163 NO.<br>DRWN: CH'K: APPR: | 162 NO.<br>DRWN: CH'K: APPR: | 161 NO.<br>DRWN: CH'K: APPR: | RELEASED '04/03/25<br>02004-3343<br>DRWN: T.UENO<br>CH'K: M.SASAO<br>APPR: M.SASAO |
|------------------------------|------------------------------|------------------------------|------------------------------|--|

|                      |           |
|----------------------|-----------|
| MATERIAL<br>材料       | SEE NOTES |
| FINISH<br>仕上げ        | SEE NOTES |
| WIRE RANGE<br>適用電線範囲 | — # —     |
| INS. RANGE<br>被覆外径   | — # —     |

|   |       |  |
|---|-------|--|
| GENERAL TOLERANCES:<br>(UNLESS SPECIFIED)<br>一般公差 | SCALE | DESIGN UNITS   |
| 10 UNDER 未満                                       | —     | mm <input checked="" type="checkbox"/> INCH <input type="checkbox"/> |
| 10 OVER 30 UNDER 未満                               | ±0.2  |  |
| 30 OVER 以上  | ±0.25 |  |
|   | ±0.3  |  |
| ANGLE 角度  | ±3°   |  |

|   |                                 |                                     |  |  |  |                          |
|---|---------------------------------|-------------------------------------|--|--|--|--------------------------|
| DIMENSIONS:<br><input type="checkbox"/> mm <input type="checkbox"/> INCH<br><input checked="" type="checkbox"/> mm ONLY | SHT<br>22<br>REV<br>ON CAD ONLY | DRAWN BY & DATE<br>T.UENO '04/03/25 | CHECKED BY & DATE<br>M.SASAO '04/03/25 | APPROVED BY & DATE<br>M.SASAO '04/03/25  | TITLE:<br>2mm PITCH FLOATING CONN.<br>PLUG HS'G ASS'Y<br>-LEAD FREE- | MOLEX MOLEX INCORPORATED |
| CAD FILENAME<br>SD-55533-003.S01  | MATERIAL NO.<br>SEE CHART       | DRAWING NO.<br>SD-55533-003         | SHEET NO.<br>1 OF 2                    | 2888 DRAWING CONTAINS INFORMATION THAT IS PROPRIETARY TO MOLEX INCORPORATED AND SHOULD NOT BE USED WITHOUT WRITTEN PERMISSION. |  |                          |



DO NOT SCALE DRAWING

|   |          |                        |   |   |  |                    |
|---|----------|------------------------|---|---|--|--------------------|
| 64 NO.<br>DRWN: CH'K: APPR:<br>63 NO.<br>DRWN: CH'K: APPR:<br>62 NO.<br>DRWN: CH'K: APPR:<br>61 NO.<br>DRWN: CH'K: APPR:<br>60 NO. J2004-3343<br>DRWN: T.UENO<br>CH'K: M.SASAO<br>APPR: M.SASAO | 0<br>REV | MATERIAL 材料<br>#       | GENERAL TOLERANCES:<br>(UNLESS SPECIFIED)<br>一般公差<br>10 UNDER 未満 ±0.2<br>10 OVER 30 UNDER 未満 ±0.25<br>30 OVER 以上 ±0.3<br>ANGLE 角度 ±3° | SCALE 1:1<br>DESIGN UNITS<br><input checked="" type="checkbox"/> mm <input type="checkbox"/> INCH | DIMENSIONS:<br><input type="checkbox"/> mm <input type="checkbox"/> INCH <input checked="" type="checkbox"/> mm ONLY | SHT 2<br>REV 1     |
|   |          | FINISH 仕上げ<br>#        |   | DRAWN BY & DATE<br>T.UENO '04/03/25   | TITLE:<br>2mm PITCH FLOATING CONN.<br>PLUG HS'G ASS'Y -LEAD FREE-  |                    |
|   |          | WIRE RANGE 適用電線範囲<br># |   | CHECKED BY & DATE<br>M.SASAO '04/03/25  |  | MOLEX INCORPORATED |
|   |          | INS. RANGE 被覆外径<br>#   |   | APPROVED BY & DATE<br>M.SASAO '04/03/25   |  |                    |

THIS DRAWING CONTAINS INFORMATION THAT IS PROPRIETARY TO MOLEX INCORPORATED AND SHOULD NOT BE USED WITHOUT WRITTEN PERMISSION. SIZE B