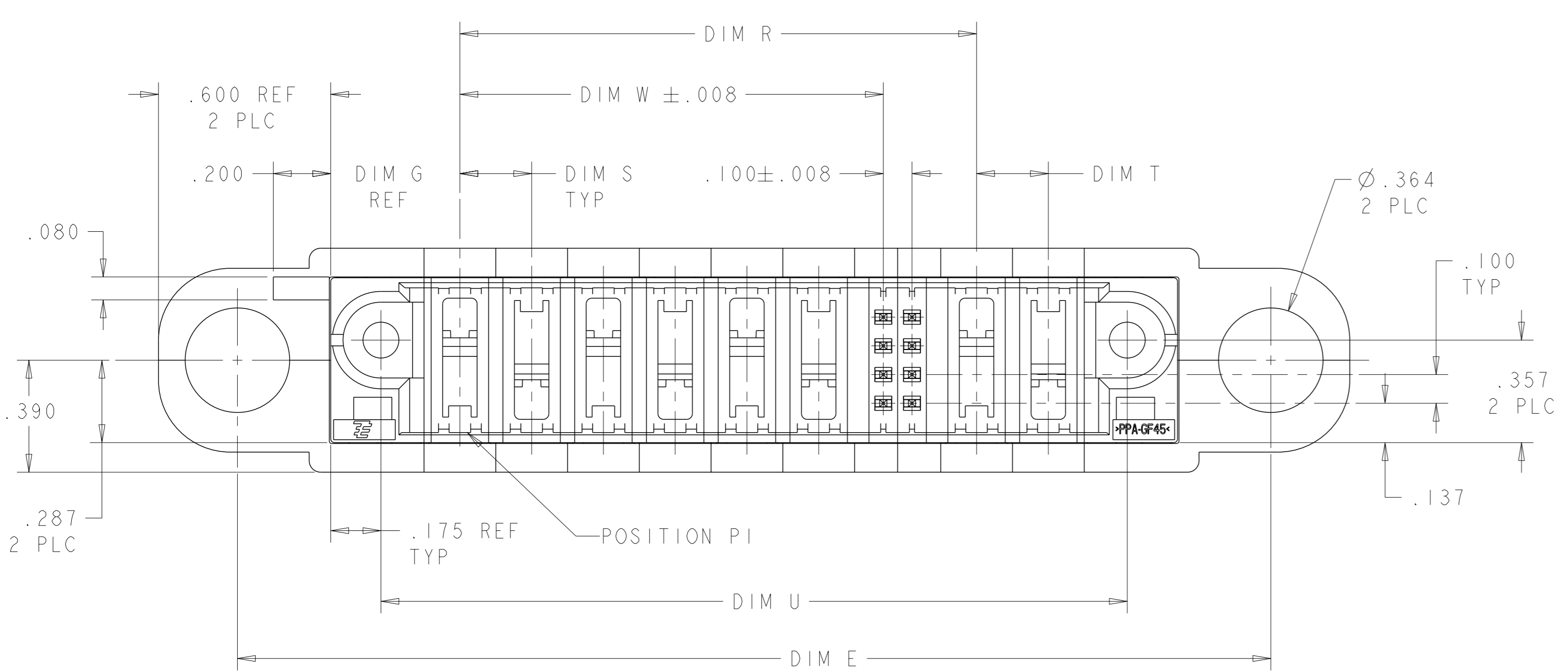
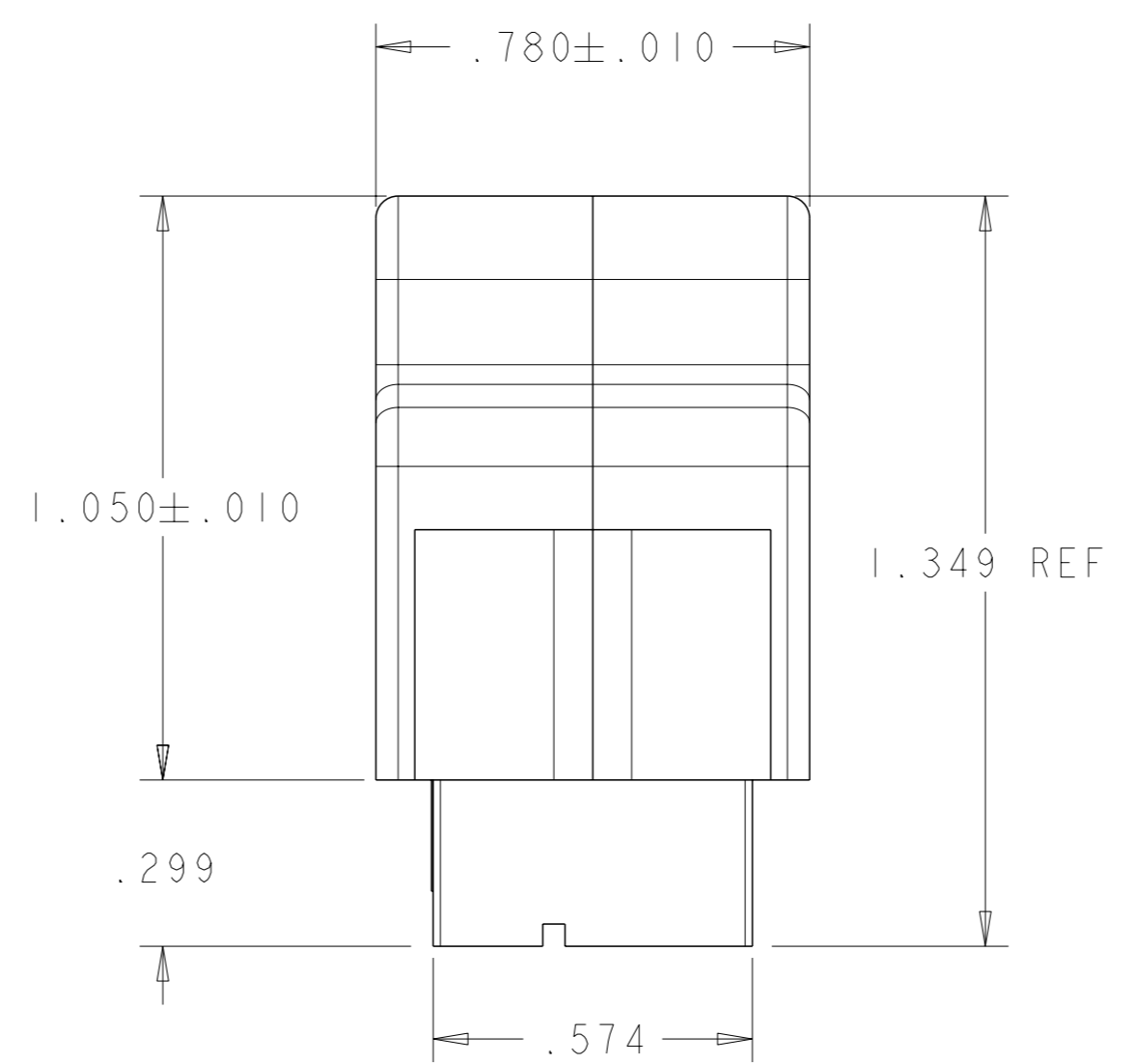
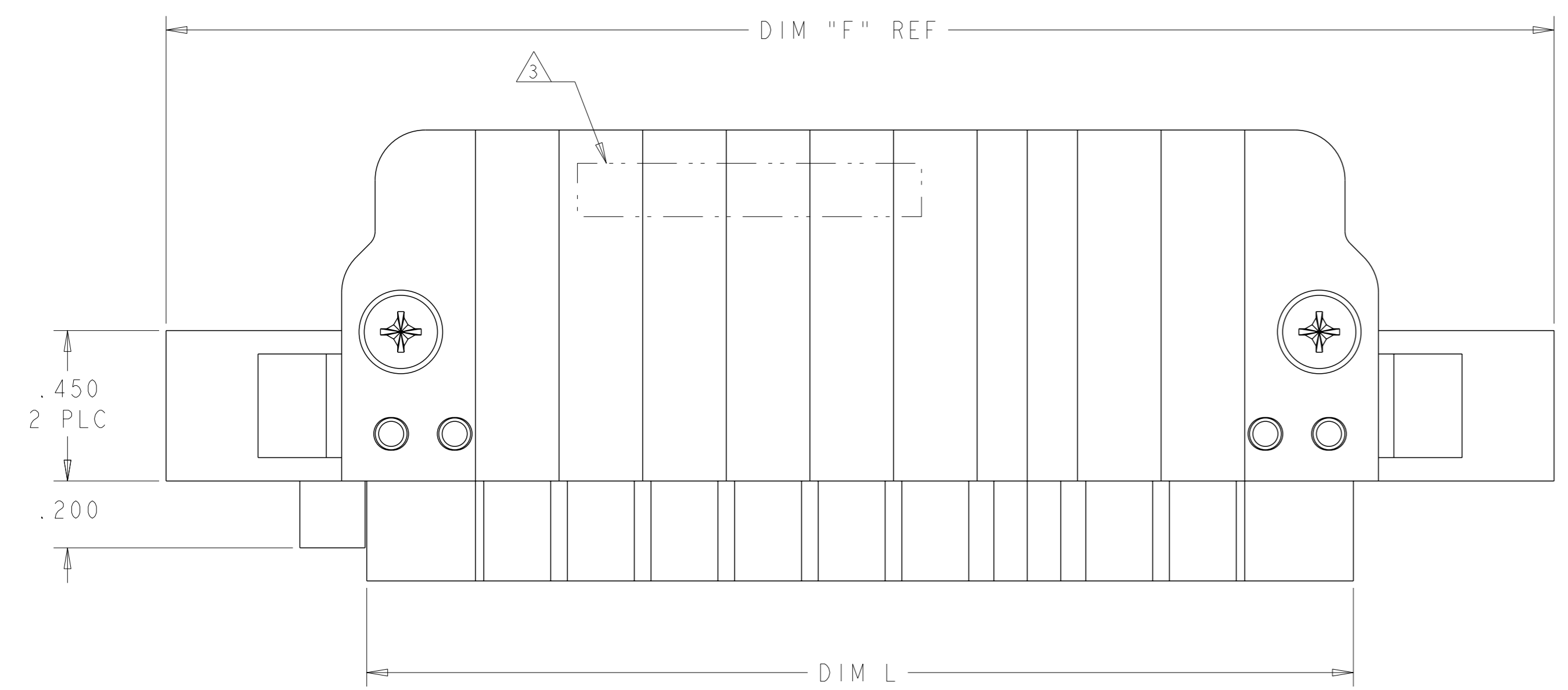


ISOMETRIC VIEW  
 SCALE 2:1

- 1 CLAMSHELLS AND HEADER HOUSING: THERMO PLASTIC, UL94 V-0, CONTACTS: COPPER ALLOY; SCREWS: STEEL.
- 2 CONTACTS: .000030 MIN GOLD IN MATING AREA, .000050 MIN TIN IN CRIMP AREA, BOTH OVER .000050 MIN NICKEL ALL OVER; SCREWS: ZINC.
- 3 TE PART NUMBER AND DATE CODE MARKED IN AREA.
- 4 CONNECTOR KEEP OUT ZONE.
- 5 CONNECTOR MATED TO PANEL FROM OPPOSITE SIDE.
- 6 NO BURRS ALLOWED ON OPPOSITE (MATED) SIDE.
- 7 DATUM LOCATIONS AND BASIC DIMENSIONS TO BE ESTABLISHED BY CUSTOMER.
- 8 MOUNT CONNECTOR WITH TE HARDWARE KIT 1600914-1 FOR .050 (1.27mm) MIN RADIAL FLOAT.
- 9 FOR CONFIGURATION "S", PLEASE REFER TO SHEET 2.

LOC	DIST	REVISIONS			
		#	DATE	OWN	APVD
ES	00	E6	ADDED DASH NUMBER 2-5	30MAR2016	CZ SZ
		E7	REV PER ECO-17-003604	03MAR2017	WY SZ



.425	1.700	.250	.250	.900	2.050	.450	3.250	2.700	2P(12AWG) + 16S + 2P(12AWG)	2-1600236-6
.425	1.700	.250	.250	.900	2.050	.450	3.250	2.700	2P(10AWG) + 16S + 2P(10AWG)	2-1600236-5
.675	2.400	.250	.250	1.350	2.750	.450	3.950	3.400	3P(10AWG) + 24S + 3P(10AWG)	2-1600236-4
.425	1.700	.250	.250	.900	2.050	.450	3.250	2.700	2P(12AWG) + 16S + 2P(12AWG)	2-1600236-3
.725	2.300	.250	.250	1.250	2.650	.450	3.850	3.300	3P(10AWG) + 16S + 3P(10AWG)	2-1600236-2
-	2.000	-	-	-	2.350	.425	3.550	3.000	64S <sup>△</sup>	2-1600236-1
.850	1.500	-	.300	-	1.850	.475	3.050	2.500	3ACP(10AWG) + 8S	2-1600236-0
.850	3.000	.300	.300	1.800	3.350	.475	4.550	4.000	3ACP(8AWG) + 32S + 3ACP(8AWG)	1-1600236-8
.550	2.200	.300	.300	1.300	2.550	.475	3.750	3.200	2ACP(8AWG) + 24S + 2ACP(8AWG)	1-1600236-7
.550	2.200	.300	.300	1.300	2.550	.475	3.750	3.200	2ACP(8AWG) + 24S + 2ACP(8AWG)	1-1600236-6
.725	2.300	.250	.250	1.250	2.650	.450	3.850	3.300	3P(12AWG) + 16S + 3P(12AWG)	1-1600236-5
.975	3.250	.250	.250	1.700	3.600	.450	4.800	4.250	4P(10AWG) + 24S + 5P(10AWG)	1-1600236-1
.975	3.250	.250	.250	1.700	3.600	.450	4.800	4.250	4P(10AWG) + 24S + 5P(10AWG)	1-1600236-0
.850	2.800	.300	.300	1.600	3.150	.475	4.350	3.800	3ACP(10AWG) + 24S + 3ACP(10AWG)	1600236-9
.850	2.800	.300	.300	1.600	3.150	.475	4.350	3.800	3ACP(12AWG) + 24S + 3ACP(12AWG)	1600236-8
.850	2.800	.300	.300	1.600	3.150	.475	4.350	3.800	3ACP(8AWG) + 24S + 3ACP(8AWG)	1600236-7
.475	2.000	.250	.250	1.200	2.350	.450	3.550	3.000	2P(10AWG) + 24S + 2P(10AWG)	1600236-6
.225	1.300	-	-	.750	1.650	.450	2.850	2.300	1P(10AWG) + 16S + 1P(10AWG)	1600236-5
.225	1.575	-	-	.950	1.925	.475	3.125	2.575	1P(10AWG) + 24S + 1P(10AWG)	1600236-4
1.975	4.200	.300	.250	2.725	4.550	.450	5.750	5.200	8P(12AWG) + 24S + 4ACP(8AWG)	1600236-3
1.975	4.200	.300	.250	2.725	4.550	.450	5.750	5.200	8P(10AWG) + 24S + 4ACP(8AWG)	1600236-2
1.475	2.600	.250	.250	1.800	2.950	.450	4.150	3.600	6P(10AWG) + 8S + 2P(10AWG)	1600236-1
DIM W	DIM U	DIM T	DIM S	DIM R	DIM L	DIM G	DIM F	DIM E	DESCRIPTION	PART NO

THIS DRAWING IS A CONTROLLED DOCUMENT. DWN: R. GRZYBOWSKI 0AUG2004  
 CHK: D. TROUT 10AUG2004

DIMENSIONS: INCHES TOLERANCES UNLESS OTHERWISE SPECIFIED:  
 0 PLC ±.01  
 1 PLC ±.02  
 2 PLC ±.02  
 3 PLC ±.005  
 4 PLC ±.01  
 ANGLES FINISH: \*2°

MATERIAL: <sup>△</sup>

APVD: B. WHYNE 10AUG2004  
 PRODUCT SPEC: 108-2157-1  
 APPLICATION SPEC: 114-13164

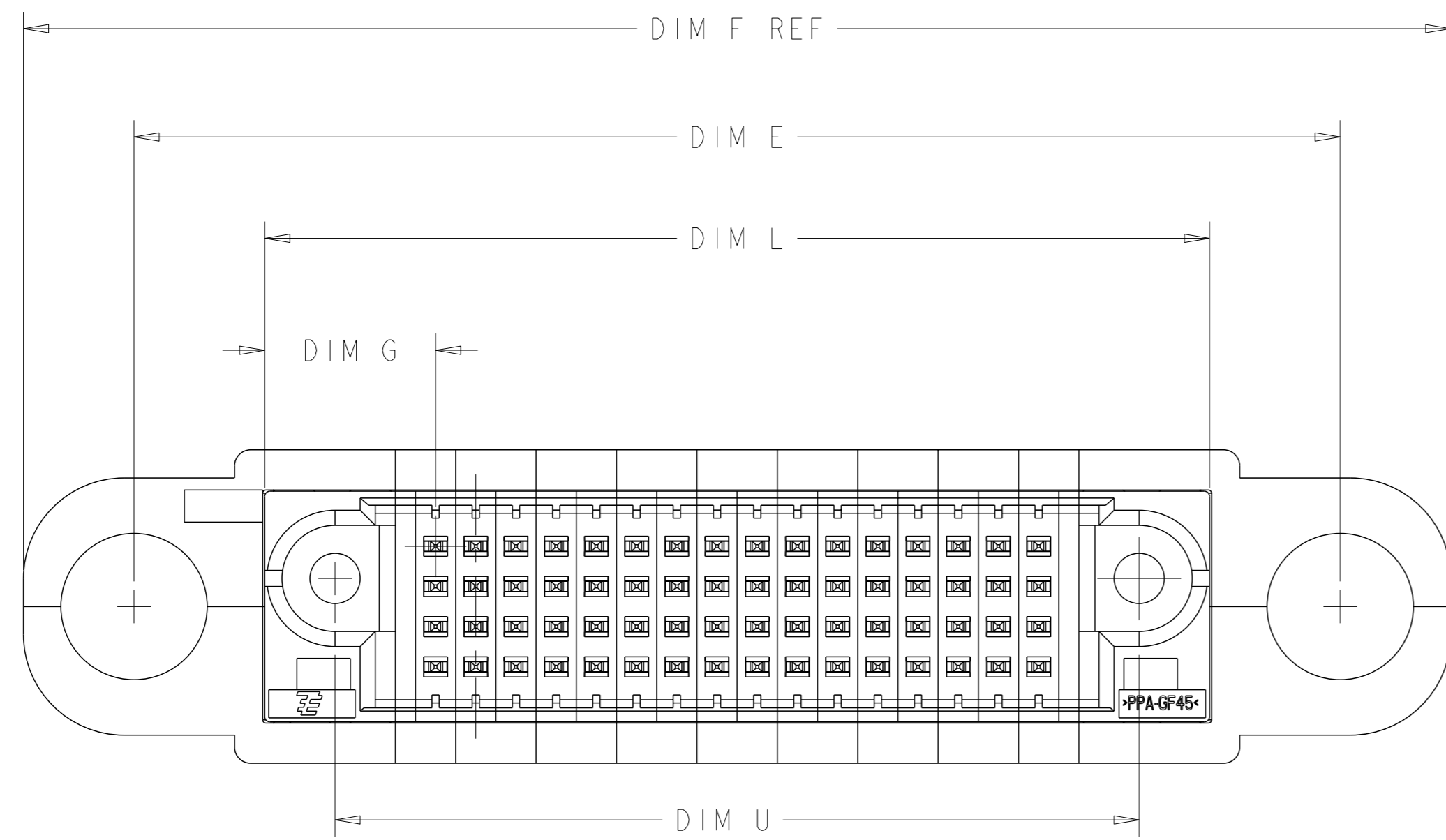
WEIGHT: -  
 CUSTOMER DRAWING

TE Connectivity  
**TE**  
 PANEL MOUNT CABLE PLUG, WITH FUIDES TYPE PSP, MUTLI-BEAM XL


SIZE: A1 CAGE CODE: 1600236 DRAWING NO: 100779  
 RESTRICTED TO: -  
 SCALE: 1:1 SHEET 1 OF 5 REV E7

THIS DRAWING IS UNPUBLISHED. RELEASED FOR PUBLICATION 20  
 © COPYRIGHT 20 . ALL RIGHTS RESERVED.

LOC		DIST		REVISIONS			
ES	00	P	LYR	DESCRIPTION	DATE	OWN	APVD
		-		SEE SHEET 1	-	-	-



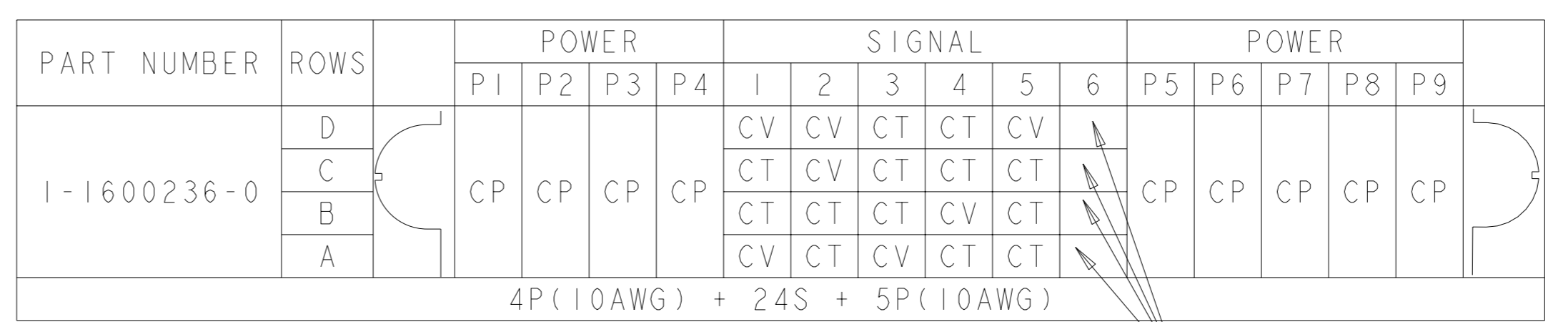
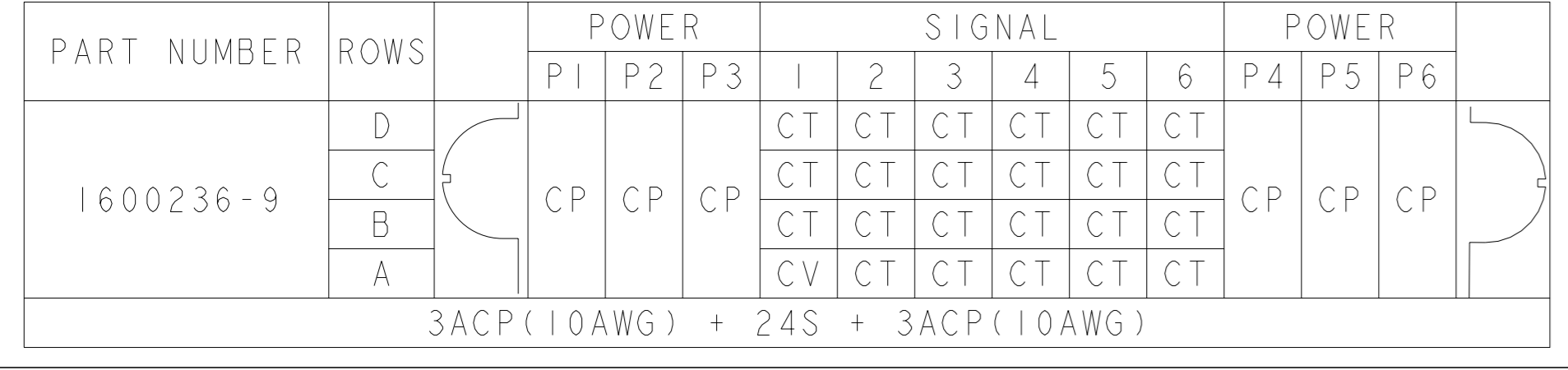
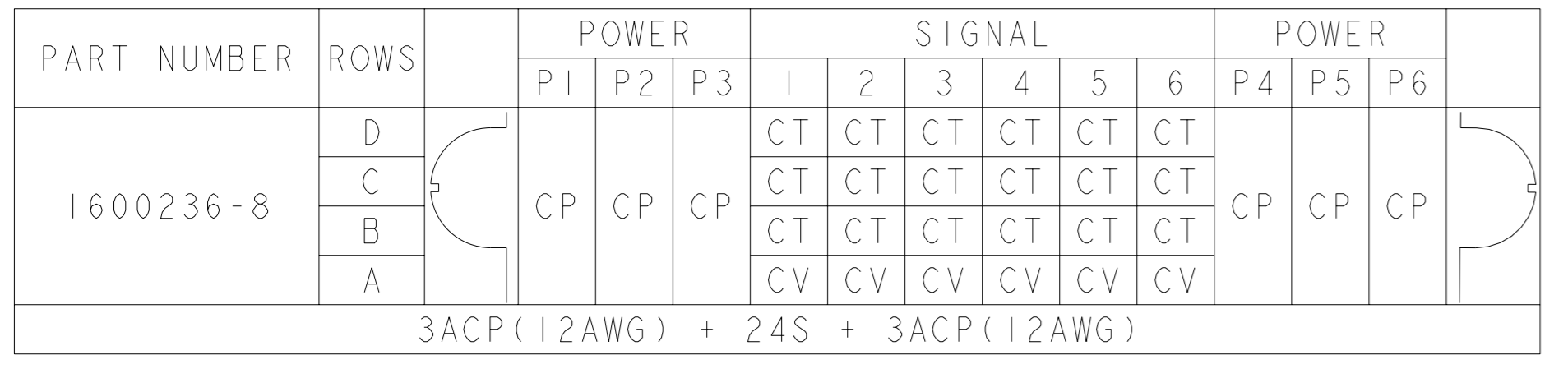
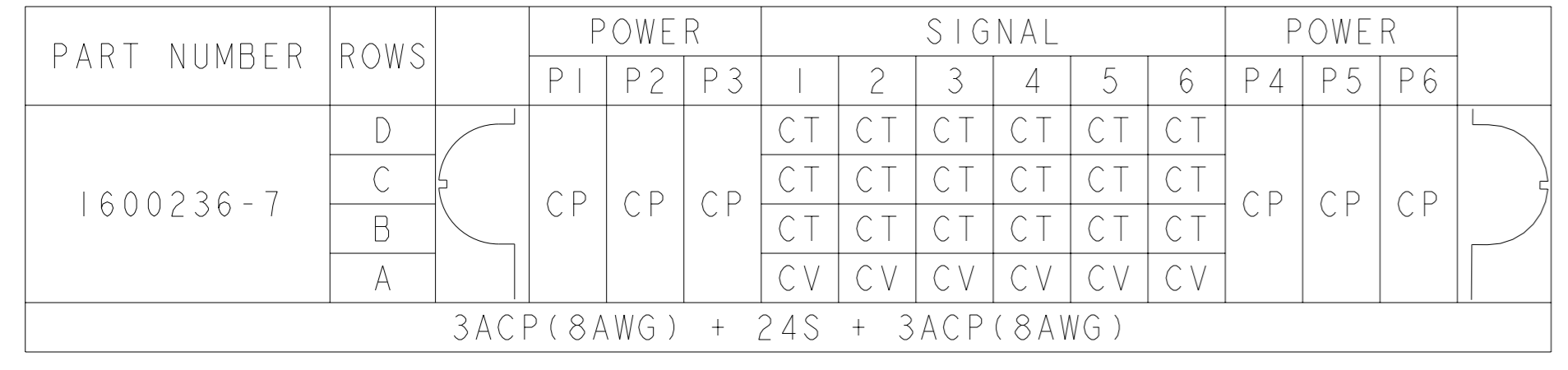
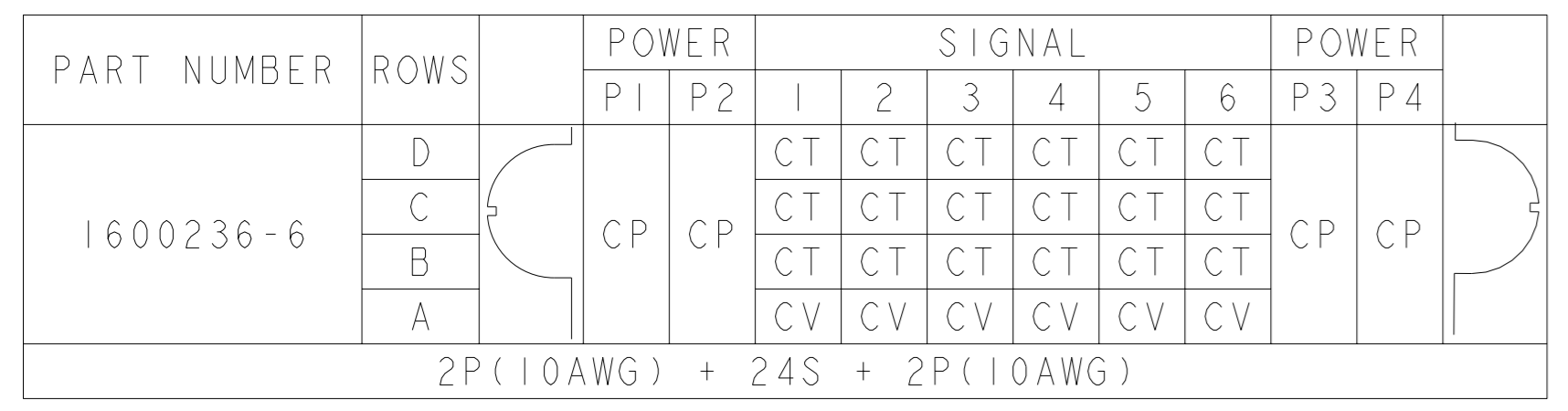
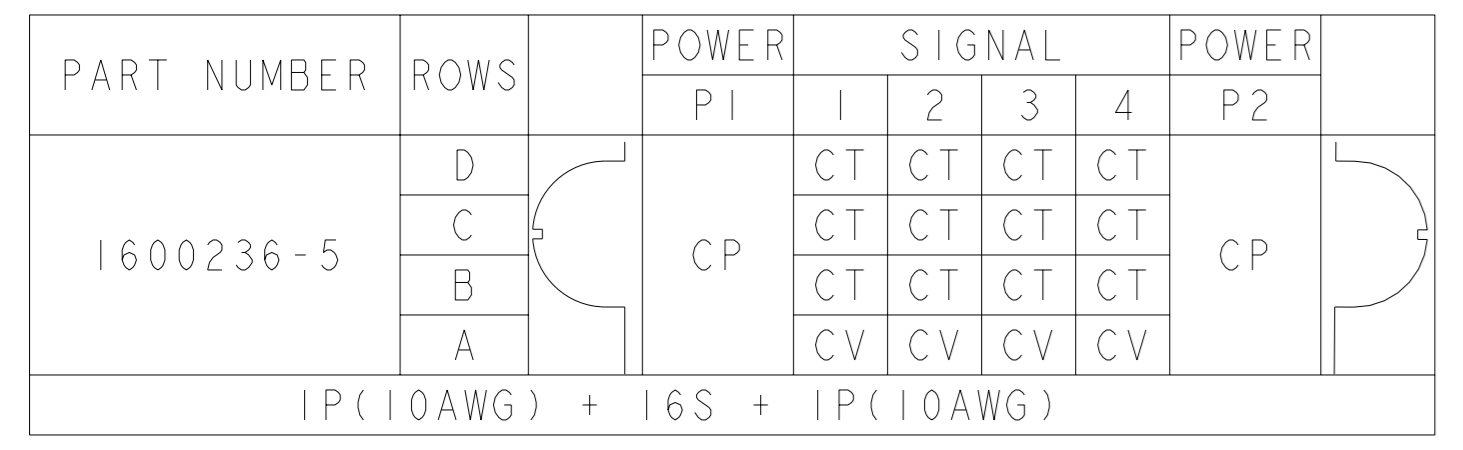
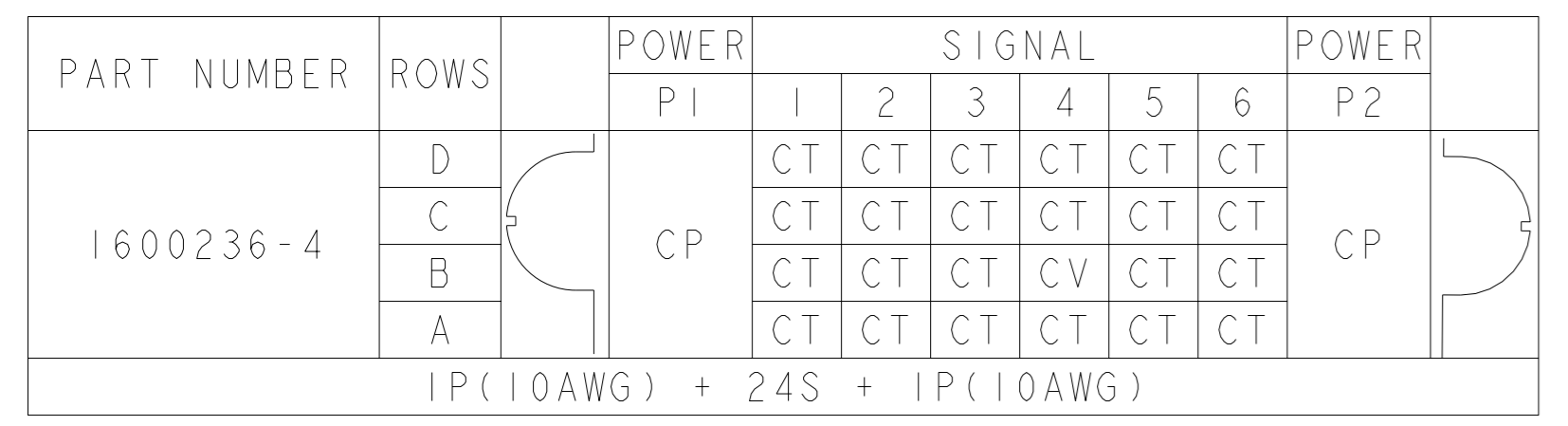
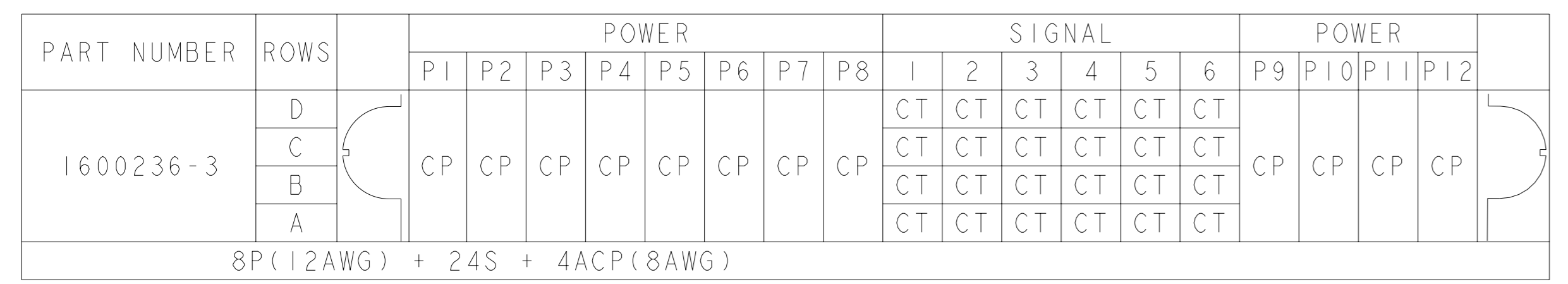
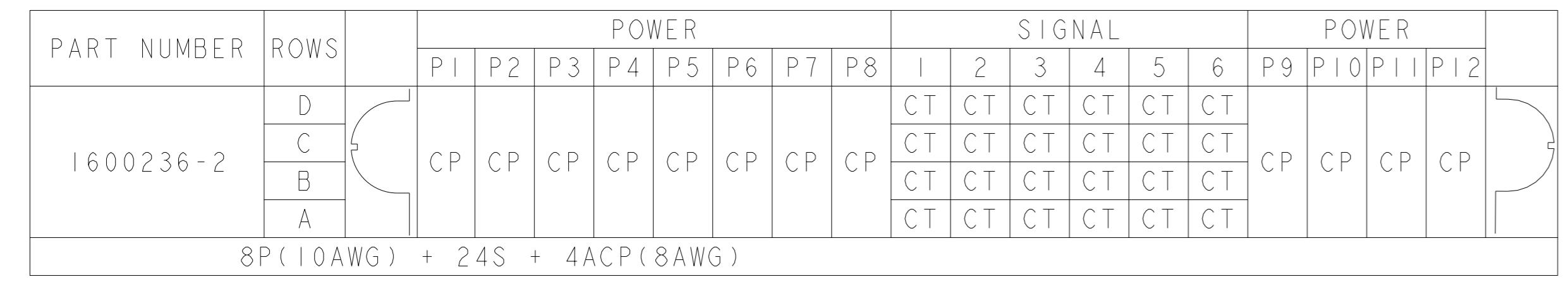
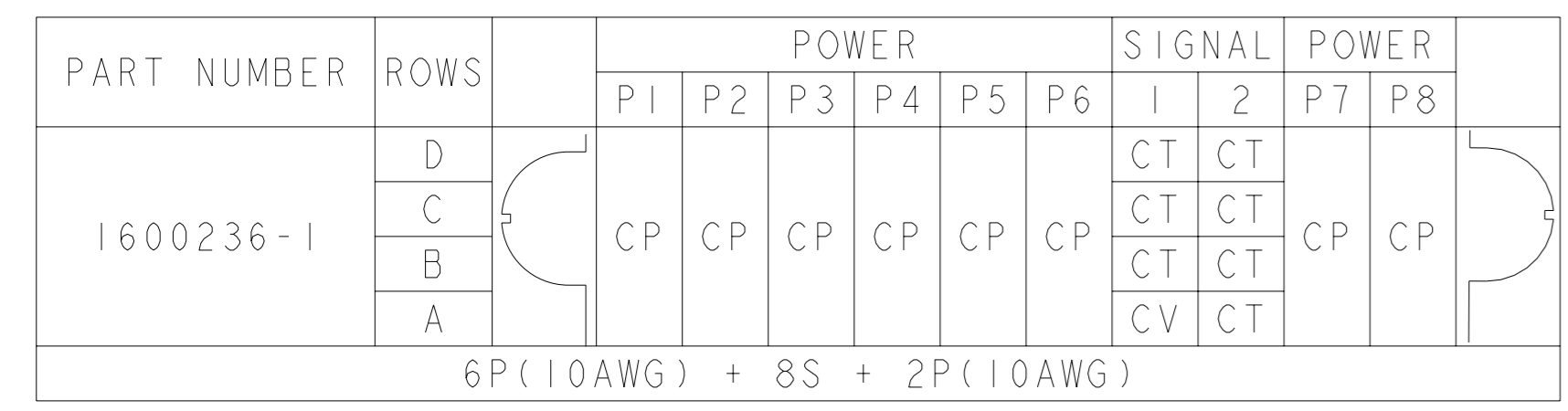
FOR CONFIGURATION "S", OTHER DIMENSIONS PLEASE REFER TO SHEET 1

THIS DRAWING IS A CONTROLLED DOCUMENT.		OWN R. GRZYBOWSKI	10AUG2004	 TE Connectivity
DIMENSIONS: INCHES		CHK D. TROUT	10AUG2004	
TOLERANCES UNLESS OTHERWISE SPECIFIED:		APVD R. WHYNE	10AUG2004	NAME PANEL MOUNT CABLE PLUG, WITH FUIDES TYPE PSP, MUTLI-BEAM XL
0 PLC ±		PRODUCT SPEC		SIZE
1 PLC ±		108-2157-1		CAGE CODE
2 PLC ±.02		APPLICATION SPEC		DRAWING NO
3 PLC ±.005		114-13164		RESTRICTED TO
4 PLC ±		WEIGHT		A100779C=1600236
ANGLES ±°		CUSTOMER DRAWING		SCALE 1:1
FINISH		SHEET 2 OF 5		REV E7

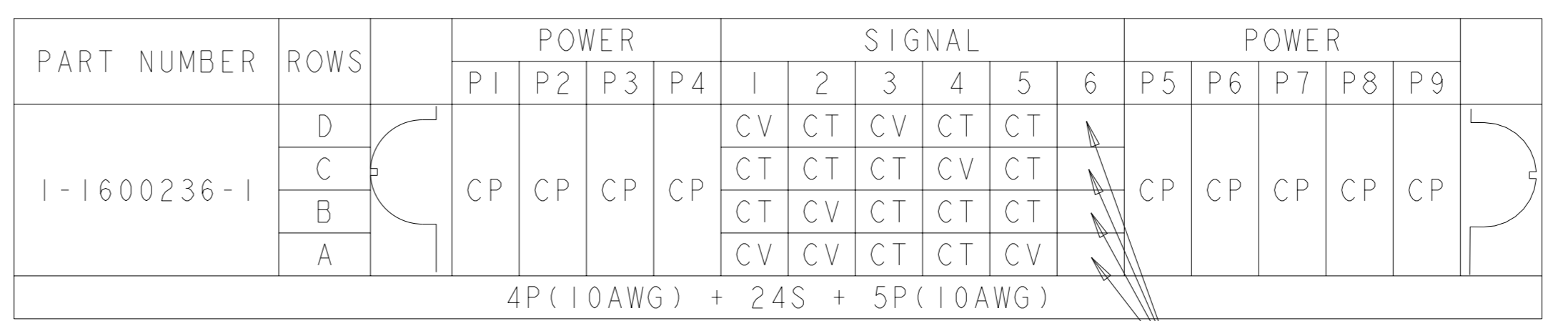
LOC	DIST	REV	DATE	OWN	APVD
ES	00				

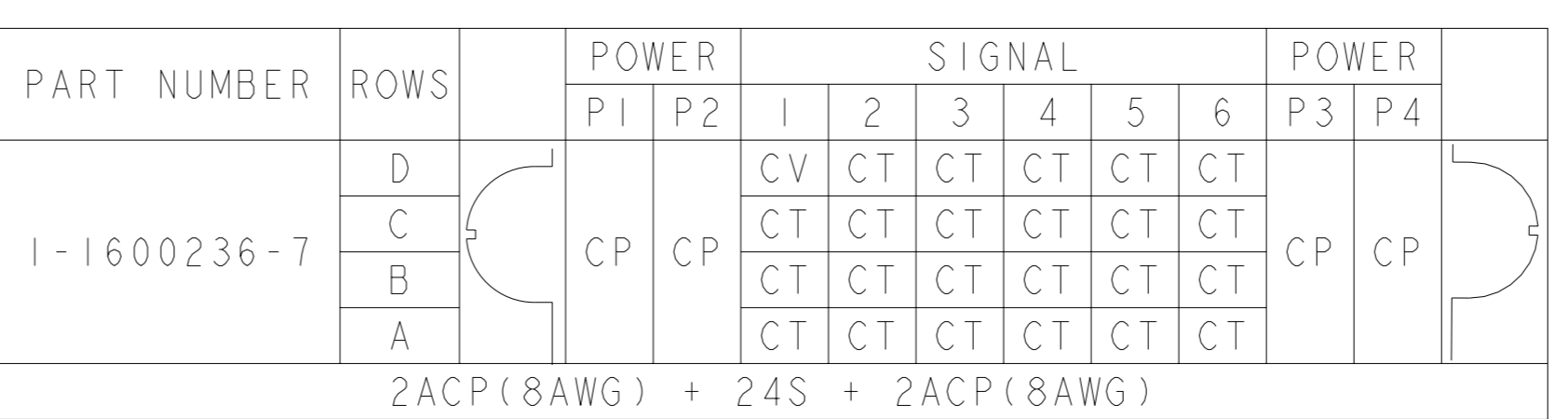
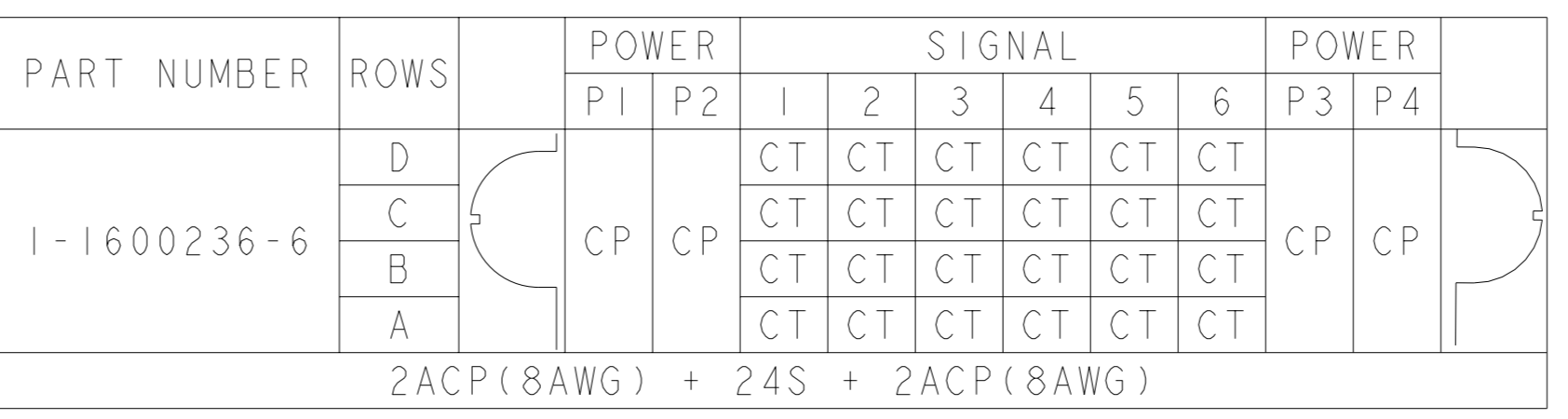
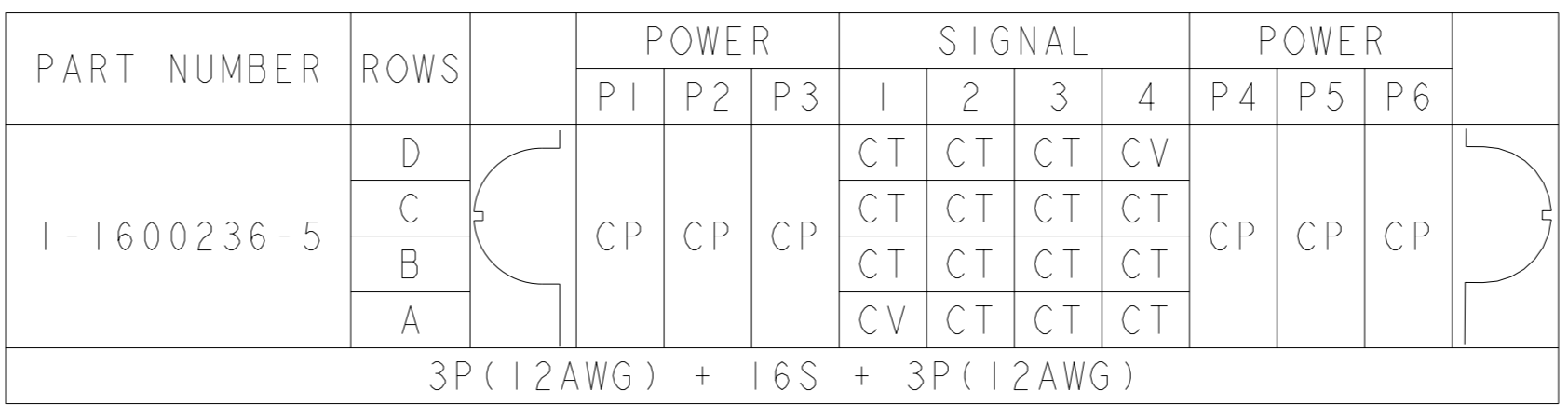
REVISIONS					
REV	DATE	DESCRIPTION	DATE	OWN	APVD
-	-	SEE SHEET 1	-	-	-



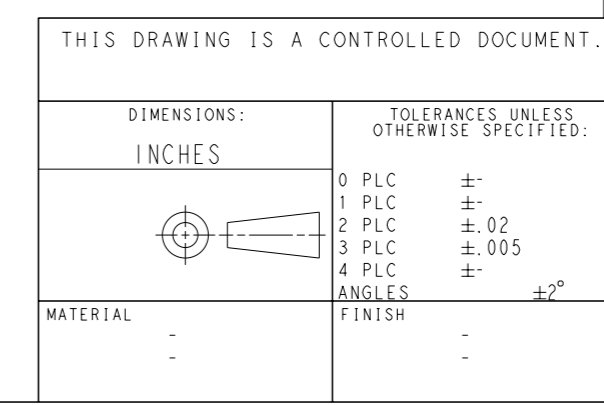
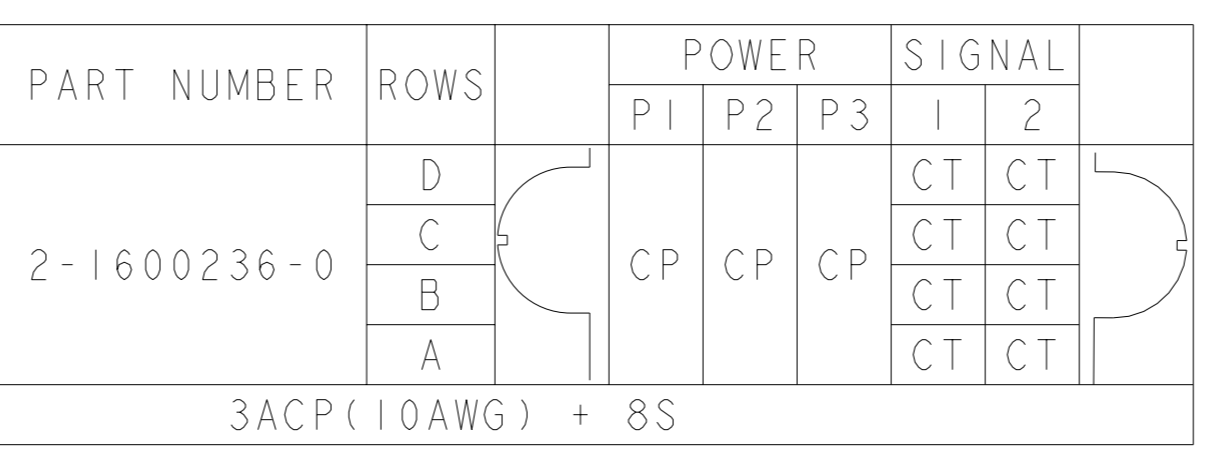
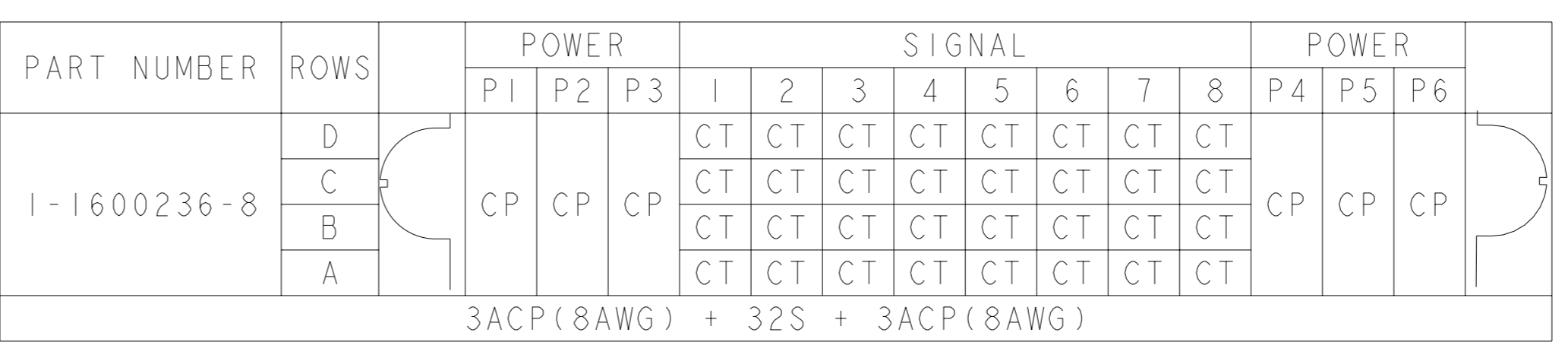
NO CONTACTS LOADED



NO CONTACTS LOADED



E



MLBF	SIGNAL CONTACT	CV
STANDARD	SIGNAL CONTACT	CT
	POWER CONTACT	CP
MATING SEQUENCE	DESCRIPTION	IDENTIFIER

THIS DRAWING IS A CONTROLLED DOCUMENT.		OWN: R. GRZYBOWSKI 0AUG2004
DIMENSIONS: INCHES		CHK: D. TROUT 10AUG2004
TOLERANCES UNLESS OTHERWISE SPECIFIED:		APVD: B. WHYNE 10AUG2004
0 PLC	±	NAME: PANEL MOUNT CABLE PLUG, WITH FUIDES
1 PLC	±.02	TYPE PSP, MUTLI-BEAM XL
2 PLC	±.05	APPLICATION SPEC
3 PLC	±.005	SIZE: 108-2157-1
4 PLC	±.005	RESTRICTED TO
ANGLES	±2°	SCALE: 1:1
MATERIAL:		WEIGHT: 114-13164
		FINISH:
		APPROVAL: A100779C=1600236
CUSTOMER DRAWING	SCALE: 1:1	SHEET 3 OF 5

LOC	DIST	REVISIONS			
ES	00	REV	DATE	OWN	APVD
		-	SEE SHEET 1	-	-

PART NUMBER	ROWS	SIGNAL															
		1	2	3	4	5	6	7	8	9	10	11	12	13	14	15	16
2-1600236-1	D	CT	CT	CT	CT	CT	CT	CT	CT	CT	CT	CT	CT	CT	CT	CT	CT
	C	CT	CT	CT	CT	CT	CT	CT	CT	CT	CT	CT	CT	CT	CT	CT	CT
	B	CT	CT	CT	CT	CT	CT	CT	CT	CT	CT	CT	CT	CT	CT	CT	CT
	A	CT	CT	CT	CT	CT	CT	CT	CT	CT	CT	CT	CT	CT	CT	CT	CT

64S

PART NUMBER	ROWS	POWER			SIGNAL				POWER		
		P1	P2	P3	1	2	3	4	P4	P5	P6
2-1600236-2	D				CT	CT	CT	CV			
	C	CP	CP	CP	CT	CT	CT	CT	CP	CP	CP
	B				CT	CT	CT	CT			
	A				CV	CT	CT	CT			

3P(10AWG) + 16S + 3P(10AWG)

PART NUMBER	ROWS	POWER		SIGNAL				POWER	
		P1	P2	1	2	3	4	P3	P4
2-1600236-3	D			CT	CV	CT	CT		
	C	CP	CP	CT	CV	CT	CT	CP	CP
	B			CT	CV	CT	CT		
	A			CT	CV	CT	CT		

2P(12AWG) + 16S + 2P(12AWG)

PART NUMBER	ROWS	POWER			SIGNAL						POWER		
		P1	P2	P3	1	2	3	4	5	6	P4	P5	P6
2-1600236-4	D				CV	CT	CT	CT	CT	CT			
	C	CP	CP	CP	CV	CT	CT	CT	CT	CT	CP	CP	CP
	B				CV	CT	CT	CT	CT	CT			
	A				CV	CT	CT	CT	CT	CT			

3P(10AWG) + 24S + 3P(10AWG)

PART NUMBER	ROWS	POWER		SIGNAL				POWER	
		P1	P2	1	2	3	4	P3	P4
2-1600236-5	D			CT	CV	CT	CT		
	C	CP	CP	CT	CV	CT	CT	CP	CP
	B			CT	CV	CT	CT		
	A			CT	CV	CT	CT		

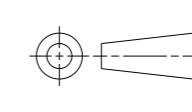
2P(10AWG) + 16S + 2P(10AWG)

PART NUMBER	ROWS	POWER		SIGNAL				POWER	
		P1	P2	1	2	3	4	P3	P4
2-1600236-6	D			-	-	CT	-		
	C	CP	CP	-	-	CT	-	-	CP
	B			-	-	CT	-		
	A			-	-	CT	-		

2P(12AWG) + 16S + 2P(12AWG)

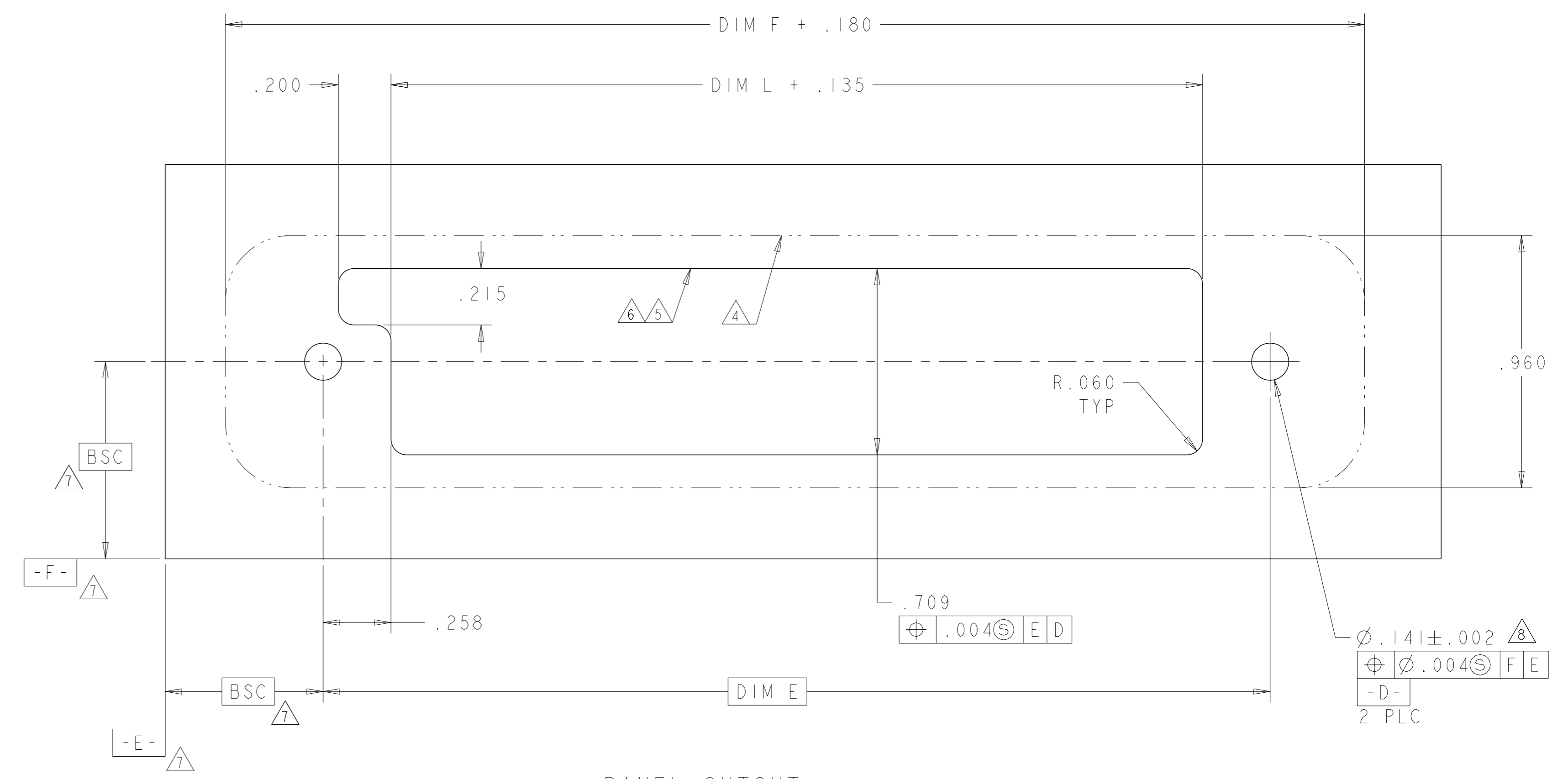
NO CONTACT LOADED  
NO CONTACTS LOADED

THIS DRAWING IS A CONTROLLED DOCUMENT. **TE Connectivity**

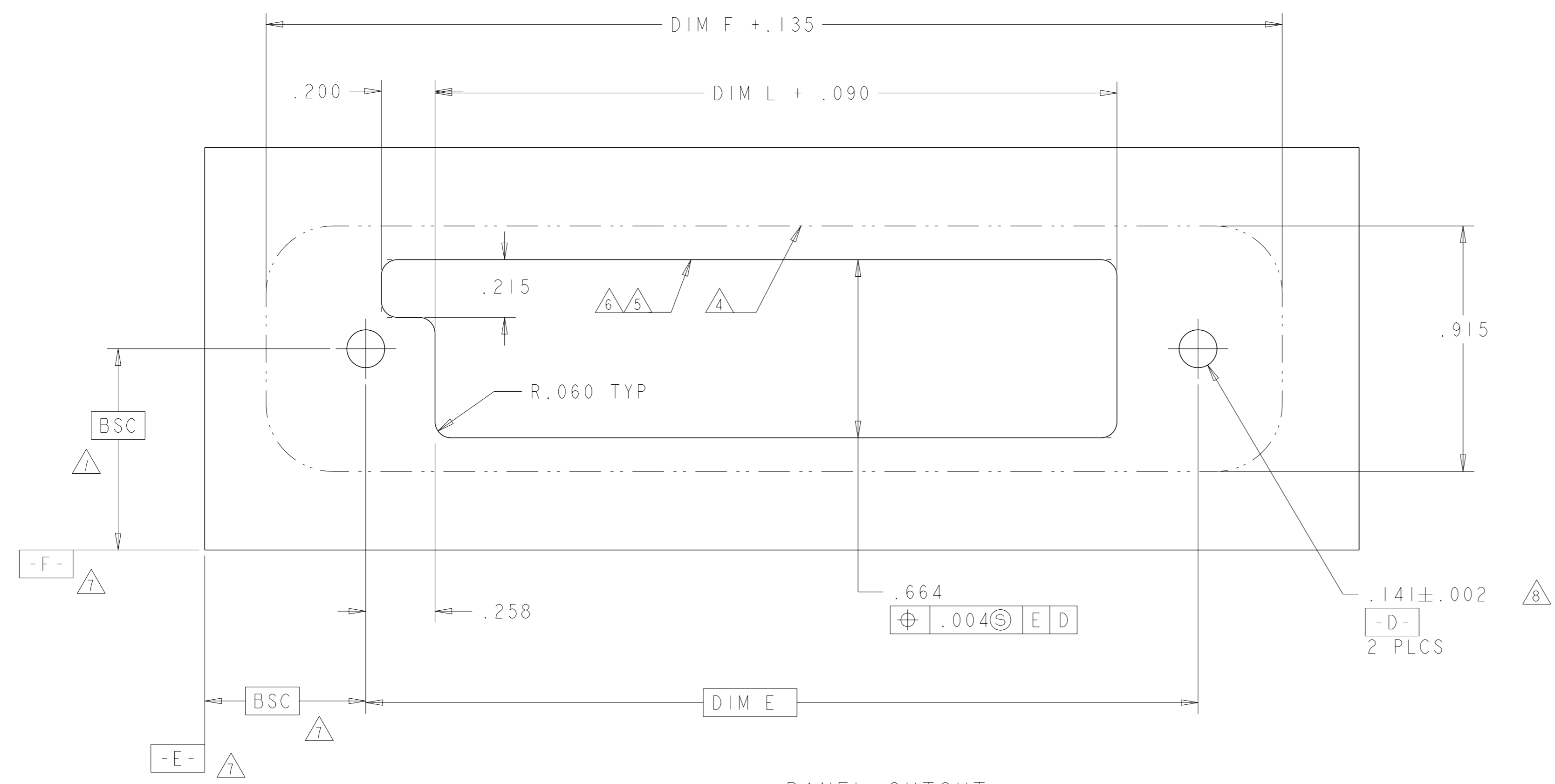
DIMENSIONS: INCHES 	TOLERANCES UNLESS OTHERWISE SPECIFIED: 0 PLC ±. 1 PLC ±. 2 PLC ±.02 3 PLC ±.005 4 PLC ±. ANGLES ±2° FINISH	OWN: R. GRZYBOWSKI 10AUG2004 CHK: D. TROUT 10AUG2004 APVD: R. WHYNE 10AUG2004 PRODUCT SPEC: 108-2157-1 APPLICATION SPEC: 114-13164 WEIGHT:	NAME: PANEL MOUNT CABLE PLUG, WITH FUIDES TYPE PSP, MUTLI-BEAM XL SIZE: A1 CAGE CODE: 100779 DRAWING NO: 1600236 RESTRICTED TO:
--	---	---	---

CUSTOMER DRAWING SCALE 1:1 SHEET 4 OF 5 REV E7

LOC	DIST	REVISIONS			
		REV	DATE	BY	APPV
ES	00	-	-	-	-
		SEE SHEET 1			



PANEL CUTOUT:  
WHEN MATING TO BOARD MOUNT RECEPTACLE  
AND PMT CABLE RECEPTACLE



PANEL CUTOUT:  
WHEN MATING TO SLIDE-TO-LOCK CABLE RECEPTACLE

THIS DRAWING IS A CONTROLLED DOCUMENT.		OWN: R. GRZYBOWSKI 10AUG2004	TE Connectivity										
DIMENSIONS: INCHES		CHK: D. TROUT 10AUG2004											
TOLERANCES UNLESS OTHERWISE SPECIFIED:		APVD: R. WHYNE 10AUG2004	NAME: PANEL MOUNT CABLE PLUG, WITH FUIDES TYPE PSP, MUTLI-BEAM XL										
<table border="1"> <tr><td>0 PLC</td><td>±</td></tr> <tr><td>1 PLC</td><td>±.02</td></tr> <tr><td>2 PLC</td><td>±.02</td></tr> <tr><td>3 PLC</td><td>±.005</td></tr> <tr><td>4 PLC</td><td>±</td></tr> </table>		0 PLC	±	1 PLC	±.02	2 PLC	±.02	3 PLC	±.005	4 PLC	±	PRODUCT SPEC: 108-2157-1	SIZE: A1
0 PLC	±												
1 PLC	±.02												
2 PLC	±.02												
3 PLC	±.005												
4 PLC	±												
MATERIAL: -		APPLICATION SPEC: 114-13164	CAGE CODE: 1600236										
FINISH: -		WEIGHT: -	RESTRICTED TO: -										
CUSTOMER DRAWING		SCALE: 1:1	SHEET 5 OF 5 REV 7										