



Since 1959

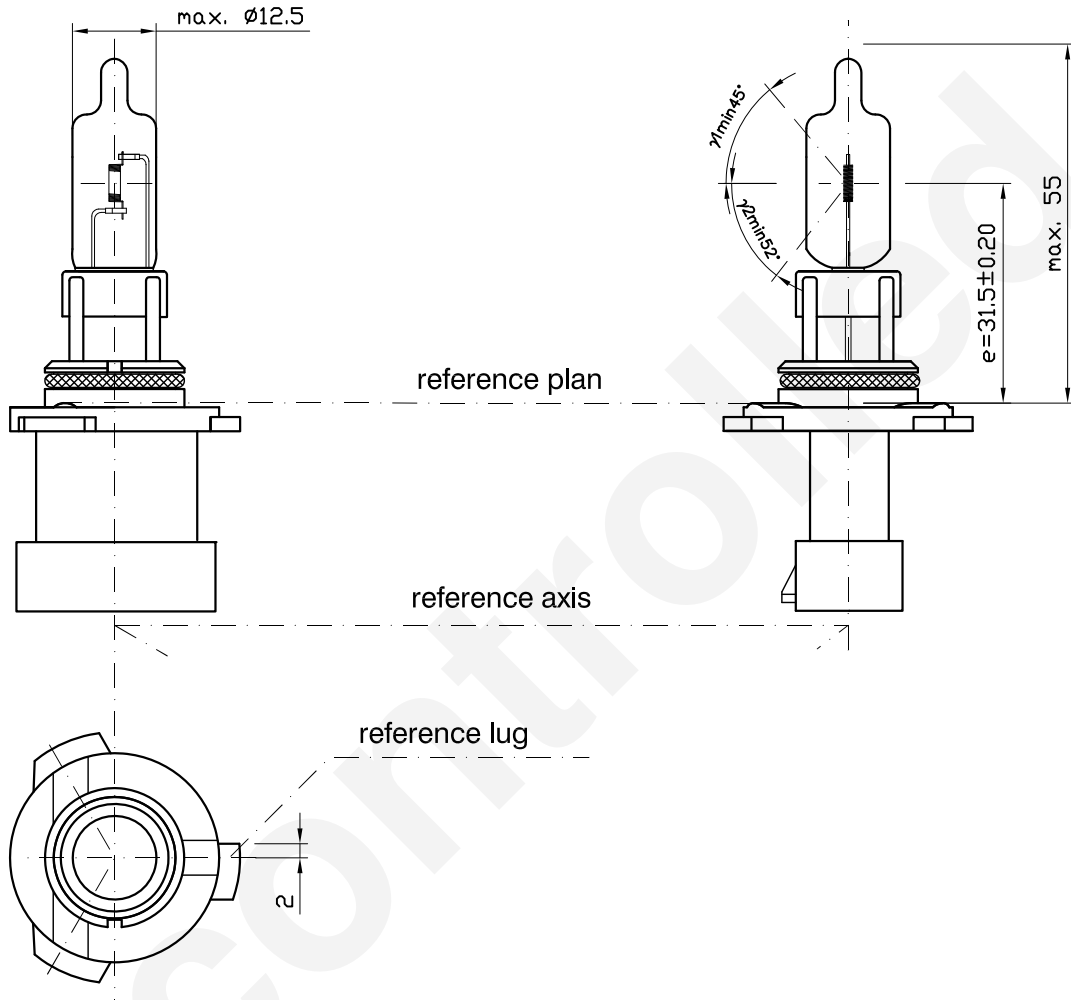
Product Information Sheet

HB3A (9005XS) 12V 65W

9005XS

2009. 05. 12 NEW

2008. 07. 22 OLD



* all dimensions in mm

| | |
|-------------------------|-----------|
| Halogen bulb | |
| HB3A 12V 65W | |
| Cap: ¹⁾ | P20d |
| Type: | 9005XS |
| ECE R37 | (E13) 2L0 |
| FMVSS 108 | DOT |
| Bulb mat.: Hardglass | |
| Made in korea / INCHEON | |

1) according to IEC 61-1 sheet 7004-31-1

| Technical data | R37 | FMVSS108 |
|---------------------|-------------------|-------------------|
| Test voltage | 13.2V | 12.8V |
| Power | 73W max | 70W max |
| Luminous flux | 1860lm $\pm 12\%$ | 1700lm $\pm 12\%$ |
| Lumen maintenance | 90 % min | 90 % min |
| Rated life: | at 13.2V | at 14.0V |
| - characteristic Tc | 300 h min | - Average |
| - B3 | 150 h min | 150 hr |

| | |
|--------------------------------|-----------------------------------|
| Maximum operating temperature: | bulb 650°C max pinch 400°C max |
| Operating position | vertical |